



**ROHDE & SCHWARZ**

Test and  
Measurement Division

## Operating Manual

# SPECTRUM ANALYZER

### **FSEA20/30**

1065.6000.20/.25/35

### **FSEB20/30**

1066.3010.20/.25/35

### **FSEM20/30**

1080.1505.20/.21/.25

1079.8500.30/.31/.35

### **FSEK20/30**

1088.1491.20/.21/.25

1088.3494.30/.31/.35

*Volume 2*

*Operating manual consists of 2 volumes*

Printed in the Federal  
Republic of Germany



# Tabbed Divider Overview

## Volume 1

### Data Sheet

Safety Instructions

Certificate of quality

EC Certificate of Conformity

Support Center

List of R & S Representatives

### Manuals for Signal Analyzer FSE

#### Tabbed Divider

- |    |            |                        |
|----|------------|------------------------|
| 1  | Chapter 1: | Putting into Operation |
| 2  | Chapter 2: | Getting Started        |
| 3  | Chapter 3: | Operation              |
| 4  | Chapter 4: | Functional Description |
| 10 |            | Index                  |

## Volume 2

Safety Instructions

### Manuals for Signal Analyzer FSE

#### Tabbed Divider

- |    |            |                                     |
|----|------------|-------------------------------------|
| 5  | Chapter 5: | Remote Control – Basics             |
| 6  | Chapter 6: | Remote Control – Commands           |
| 7  | Chapter 7: | Remote Control – Program Examples   |
| 8  | Chapter 8: | Maintenance and Hardware Interfaces |
| 9  | Chapter 9: | Error Messages                      |
| 10 |            | Index                               |

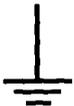


# Safety Instructions

This unit has been designed and tested in accordance with the EC Certificate of Conformity and has left the manufacturer's plant in a condition fully complying with safety standards.

To maintain this condition and to ensure safe operation, the user must observe all instructions and warnings given in this operating manual.

## Safety-related symbols used on equipment and documentation from R&S:

							
Observe operating instructions	Weight indication for units >18 kg	PE terminal	Ground terminal	Danger! Shock hazard	Warning! Hot surfaces	Ground	Attention! Electrostatic sensitive devices require special care

- The unit may be used only in the operating conditions and positions specified by the manufacturer. Unless otherwise agreed, the following applies to R&S products:  
IP degree of protection 2X, pollution severity 2 overvoltage category 2, only for indoor use, altitude max. 2000 m.  
The unit may be operated only from supply networks fused with max. 16 A.  
Unless specified otherwise in the data sheet, a tolerance of  $\pm 10\%$  shall apply to the nominal voltage and of  $\pm 5\%$  to the nominal frequency.
- For measurements in circuits with voltages  $V_{\text{rms}} > 30 \text{ V}$ , suitable measures should be taken to avoid any hazards.  
(using, for example, appropriate measuring equipment, fusing, current limiting, electrical separation, insulation).
- If the unit is to be permanently wired, the PE terminal of the unit must first be connected to the PE conductor on site before any other connections are made. Installation and cabling of the unit to be performed only by qualified technical personnel.
- For permanently installed units without built-in fuses, circuit breakers or similar protective devices, the supply circuit must be fused such as to provide suitable protection for the users and equipment.
- Prior to switching on the unit, it must be ensured that the nominal voltage set on the unit matches the nominal voltage of the AC supply network.  
If a different voltage is to be set, the power fuse of the unit may have to be changed accordingly.
- Units of protection class I with disconnectible AC supply cable and appliance connector may be operated only from a power socket with earthing contact and with the PE conductor connected.
- It is not permissible to interrupt the PE conductor intentionally, neither in the incoming cable nor on the unit itself as this may cause the unit to become electrically hazardous.  
Any extension lines or multiple socket outlets used must be checked for compliance with relevant safety standards at regular intervals.
- If the unit has no power switch for disconnection from the AC supply, the plug of the connecting cable is regarded as the disconnecting device. In such cases it must be ensured that the power plug is easily reachable and accessible at all times (length of connecting cable approx. 2 m). Functional or electronic switches are not suitable for providing disconnection from the AC supply.  
If units without power switches are integrated in racks or systems, a disconnecting device must be provided at system level.
- Applicable local or national safety regulations and rules for the prevention of accidents must be observed in all work performed.  
Prior to performing any work on the unit or opening the unit, the latter must be disconnected from the supply network.  
Any adjustments, replacements of parts, maintenance or repair may be carried out only by authorized R&S technical personnel.  
Only original parts may be used for replacing parts relevant to safety (eg power switches, power transformers, fuses). A safety test must be performed after each replacement of parts relevant to safety.  
(visual inspection, PE conductor test, insulation-resistance, leakage-current measurement, functional test).

continued overleaf

## Safety Instructions

10. Ensure that the connections with information technology equipment comply with IEC950 / EN60950.
11. Lithium batteries must not be exposed to high temperatures or fire.  
Keep batteries away from children.  
If the battery is replaced improperly, there is danger of explosion. Only replace the battery by R&S type (see spare part list).  
Lithium batteries are suitable for environmentally-friendly disposal or specialized recycling. Dispose them into appropriate containers, only.  
Do not short-circuit the battery.
12. Equipment returned or sent in for repair must be packed in the original packing or in packing with electrostatic and mechanical protection.
13. Electrostatics via the connectors may damage the equipment. For the safe handling and operation of the equipment, appropriate measures against electrostatics should be implemented.
14. The outside of the instrument is suitably cleaned using a soft, lint-free dustcloth. Never use solvents such as thinners, acetone and similar things, as they may damage the front panel labeling or plastic parts.
15. Any additional safety instructions given in this manual are also to be observed.

### Patent Information

This product contains technology licensed by Marconi Instruments LTD. under US patent 4609881 and under the corresponding patent in Germany and elsewhere.

# Contents of Manuals for Spectrum Analyzer FSE

## Operating Manual FSE

The operating manual describes the following models and options:

- FSEA20/30      9kHz/20 Hz to 3,5 GHz
- FSEB20/30      9kHz/20 Hz to 7 GHz
- FSEM20/30      9kHz/20 Hz to 26,5 GHz
- FSEK20/30      9kHz/20 Hz to 40 GHz
  
- Option FSE-B3      TV Demodulator
- Option FSE-B5      FFT Filter
- Option FSE-B8/9/10/11      Tracking Generator
- Option FSE-B13      1 dB Attenuator
- Option FSE-B15      DOS Controller (Id.-Nr: 1073.5696.02/.03)
- Option FSE-B15      Windows NT Controller (Id.-Nr.: 1073.5696.06)
- Option FSE-B16      Ethernet Adapter
- Option FSE-B17      Second IEC/IEEE Bus Interface

Options FSE-B7, Vector Signal Analysis, and FSE-B21, External Mixer Output, are described in separate manuals.

The present operating manual contains comprehensive information about the technical data of the instrument, the setup and putting into operation of the instrument, the operating concept and controls as well as the operation of the FSE via the menus and via remote control. Typical measurement tasks for the FSE are explained using the functions offered by the menus and a selection of program examples.

In addition the operating manual gives information about maintenance of the instrument and about error detection listing the error messages which may be output by the instrument. It is subdivided into 2 volumes containing the data sheet plus 9 chapters:

### Volume 1

- The data sheet**      informs about guaranteed specifications and characteristics of the instrument.
- Chapter 1**      describes the control elements and connectors on the front and rear panel as well as all procedures required for putting the FSE into operation and integration into a test system.
- Chapter 2**      gives an introduction to typical measurement tasks of the FSE which are explained step by step.
- Chapter 3**      describes the operating principles, the structure of the graphical interface and offers a menu overview.
- Chapter 4**      forms a reference for manual control of the FSE and contains a detailed description of all instrument functions and their application.
- Chapter 10**      contains an index for the operating manual.

### Volume 2

- Chapter 5**      describes the basics for programming the FSE, command processing and the status reporting system.
- Chapter 6**      lists all the remote-control commands defined for the instrument. At the end of the chapter a alphabetical list of commands and a table of softkeys with command assignment is given.
- Chapter 7**      contains program examples for a number of typical applications of the FSE.
- Chapter 8**      describes preventive maintenance and the characteristics of the instrument's interfaces.
- Chapter 8**      gives a list of error messages that the FSE may generate.
- Chapter 9**      contains a list of error messages.
- Chapter 10**      contains an index for the operating manual.

**Service Manual - Instrument**

The service manual - instrument informs on how to check compliance with rated specifications (performance test) and on the self tests.

**Service Manual**

The service manual is not delivered with the instrument but may be obtained from your R&S service department using the order number 1065.6016.94.

The service manual informs on instrument function, repair, troubleshooting and fault elimination. It contains all information required for the maintenance of FSE by exchanging modules. It contains information about the individual modules of FSE. This comprises the test and adjustment of the modules, fault detection within the modules and the interface description.

## Contents - Chapter 5 "Remote Control - "Basics"

<b>5 Remote Control - Basics</b> .....	<b>5.1</b>
<b>Introduction</b> .....	<b>5.1</b>
<b>Brief Instructions</b> .....	<b>5.2</b>
<b>Switchover to Remote Control</b> .....	<b>5.2</b>
Indications during Remote Control.....	5.2
Remote Control via IEC Bus.....	5.3
Setting the Device Address.....	5.3
Return to Manual Operation.....	5.3
Remote Control via RS-232-Interface.....	5.4
Setting the Transmission Parameters.....	5.4
Return to Manual Operation.....	5.4
Limitations.....	5.5
Remote Control via RSIB Interface.....	5.6
Windows Environment.....	5.6
Unix Environment – with Windows NT Controller.....	5.6
Remote Control.....	5.6
Return to Manual Operation.....	5.6
<b>Messages</b> .....	<b>5.7</b>
IEE/IEEE-Bus Interface Messages.....	5.7
RSIB Interface Messages.....	5.7
Device Messages (Commands and Device Responses).....	5.8
<b>Structure and Syntax of the Device Messages</b> .....	<b>5.9</b>
SCPI Introduction.....	5.9
Structure of a Command.....	5.9
Structure of a Command Line.....	5.12
Responses to Queries.....	5.12
Parameters.....	5.13
Overview of Syntax Elements.....	5.14
<b>Instrument Model and Command Processing</b> .....	<b>5.15</b>
Input Unit.....	5.15
Command Recognition.....	5.16
Data Set and Instrument Hardware.....	5.16
Status Reporting System.....	5.16
Output Unit.....	5.17
Command Sequence and Command Synchronization.....	5.17
<b>Status Reporting System</b> .....	<b>5.18</b>
Structure of an SCPI Status Register.....	5.18
Overview of the Status Registers.....	5.20
Description of the Status Registers.....	5.21
Status Byte (STB) and Service Request Enable Register (SRE).....	5.21
IST Flag and Parallel Poll Enable Register (PPE).....	5.22
Event-Status Register (ESR) and Event-Status-Enable Register (ESE).....	5.22
STATUS:OPERation Register.....	5.23
STATUS:QUEStionable Register.....	5.24
STATUS QUEStionable:ACPLimit Register.....	5.25

STATus QUEStionable:FREQuency Register.....	5.26
STATus QUEStionable:LIMit Register .....	5.27
STATus QUEStionable:LMARgin Register .....	5.28
STATus QUEStionable:POWer Register .....	5.29
STATus QUEStionable:SYNC Register .....	5.30
STATus QUEStionable:TRANsducer Register .....	5.31
Application of the Status Reporting Systems.....	5.32
Service Request, Making Use of the Hierarchy Structure .....	5.32
Serial Poll .....	5.32
Parallel Poll.....	5.33
Query by Means of Commands.....	5.33
Error-Queue Query.....	5.33
Resetting Values of the Status Reporting System.....	5.34

## 5 Remote Control - Basics

In this chapter you find:

- instructions how to put the FSE into operation via remote control,
- a general introduction to remote control of programmable instruments. This includes the description of the command structure and syntax according to the SCPI standard, the description of command execution and of the status registers,
- diagrams and tables describing the status registers used in the FSE.

In chapter 6, all remote control functions are described in detail. The subsystems are listed by alphabetical order according to SCPI. All commands and their parameters are listed by alphabetical order in the command list at the end of chapter 6.

Program examples for the FSE can be found in chapter 7.

The remote control interfaces and their interface functions are described in chapter 8.

### Introduction

The instrument is equipped with an IEC-bus interface according to standard IEC 625.1/IEEE 488.2 and two RS-232 interfaces. The connector is located at the rear of the instrument and permits to connect a controller for remote control.

The option FSE-B15, (controller function) together with the option FSE B17 (2nd IEC-bus interface) may also be used as a controller (see chapter 1, section "Option FSE-B17 - Second IEC/IEEE Interface).

In addition, the instrument is equipped with an RSIB interface that allows instrument control by Visual C++ and Visual Basic programs

The instrument supports the SCPI version 1994.0 (Standard Commands for Programmable Instruments). The SCPI standard is based on standard IEEE 488.2 and aims at the standardization of device-specific commands, error handling and the status registers (see section "SCPI Introduction").

This section assumes basic knowledge of IEC-bus programming and operation of the controller. A description of the interface commands is to be obtained from the relevant manuals. The RSIB interface functions are matched to the function interface for IEC/IEEE-bus programming from National Instruments. The functions supported by the DLLs are listed in chapter 8.

The requirements of the SCPI standard placed on command syntax, error handling and configuration of the status registers are explained in detail in the respective sections. Tables provide a fast overview of the commands implemented in the instrument and the bit assignment in the status registers. The tables are supplemented by a comprehensive description of every command and the status registers. Detailed program examples of the main functions are to be found in chapter 7.

The program examples for IEC-bus programming are all written in Quick BASIC.

## Brief Instructions

The short and simple operating sequence given below permits fast putting into operation of the instrument and setting of its basic functions. As a prerequisite, the IEC-bus address, which is factory-set to 20, must not have been changed.

1. Connect instrument and controller using IEC-bus cable.
2. Write and start the following program on the controller:

```
CALL IBFIND("DEV1", analyzer%)           'Open port to the instrument
CALL IBPAD(analyzer%, 20)                 'Inform controller about instrument address
CALL IBWRT(analyzer%, "*RST;*CLS")        'Reset instrument
CALL IBWRT(analyzer%, 'FREQ:CENT 100MHz') 'Set center frequency to 100 MHz
CALL IBWRT(analyzer%, 'FREQ:SPAN 10MHz')  'Set span to 10 MHz
CALL IBWRT(analyzer%, 'DISP:TRAC:Y:RLEV -10dBm') 'Set reference level to -10 dBm
```

The instrument now performs a sweep in the frequency range of 95 MHz to 105 MHz.

3. To return to manual control, press the *LOCAL* key at the front panel

## Switchover to Remote Control

On power-on, the instrument is always in the manual operating state ("LOCAL" state) and can be operated via the front panel.

It is switched to remote control ("REMOTE" state)

IEC-bus	as soon as it receives an addressed command from a controller.
RS-232	as soon as it receives the command '@REM' from a controller.
RSIB	as soon as it receives an addressed command from a controller.

During remote control, operation via the front panel is disabled. The instrument remains in the remote state until it is reset to the manual state via the front panel or via remote control interfaces. Switching from manual operation to remote control and vice versa does not affect the remaining instrument settings.

## Indications during Remote Control

Remote control mode is indicated by the LED "REMOTE" on the instrument's front panel. In this mode the softkeys, the function fields and the diagram labelling on the display are not shown.

**Note:** Command *SYSTEM:DISPlay:UPDate ON* activates all indications during remote control to check the instrument settings.

## Remote Control via IEC Bus

### Setting the Device Address

In order to operate the instrument via the IEC-bus, it must be addressed using the set IEC-bus address. The IEC-bus address of the instrument is factory-set to 20. It can be changed manually in the *SETUP - GENERAL SETUP* menu or via IEC bus. Addresses 0 to 31 are permissible.

- Manually:**
- Call *SETUP - GENERAL SETUP* menu
  - Enter desired address in table *GPIB ADDRESS*
  - Terminate input using one of the unit keys (=ENTER).

**Via IEC bus:**

CALL IBFIND("DEV1", analyzer%)	'Open port to the instrument
CALL IBPAD(analyzer%, 20)	'Inform controller about old address
CALL IBWRT(analyzer%, "SYST:COMM:GPIB:ADDR 18")	'Set instrument to new address
CALL IBPAD(analyzer%, 18)	'Inform controller about new address

### Return to Manual Operation

Return to manual operation is possible via the front panel or the IEC bus.

- Manually:**
- Press the *LOCAL* key.

- Notes:**
- Before switchover, command processing must be completed as otherwise switchover to remote control is effected immediately.
  - The *LOCAL* key can be disabled by the universal command *LLO* (see chapter 8) in order to prevent unintentional switchover. In this case, switchover to manual mode is only possible via the IEC bus.
  - The *LOCAL* key can be enabled again by deactivating the *REN* line of the IEC bus (see chapter 8).

**Via IEC bus:**

...	
CALL IBLOC(analyzer%)	'Set instrument to manual operation.
...	

## Remote Control via RS-232-Interface

### Setting the Transmission Parameters

To enable an error-free and correct data transmission, the parameters of the unit and the controller should have the same setting. Parameters can be manually changed in menu *SETUP-GENERAL SETUP* in table *COM PORT 1/2* or via remote control using the command `SYSTEM:COMMunicate:SERial1|2:....`.

The transmission parameters of the interfaces COM1 and COM2 are factory-set to the following values:

#### Instruments with Windows NT controller:

baudrate = 9600, data bits = 8, stop bits = 1, parity = NONE and owner = INSTRUMENT.

#### Manually:

Setting interface COM1|2

- Call *SETUP-GENERAL SETUP* menu
- Select desired baudrate, bits, stopbit, parity and protocoll in table *COM PORT 1/2*.
- Set owner to Instrument or INSTR and DOS in table *COM PORT1/2* (with option FSE-B15 only)
- Terminate input using one of the unit keys (=ENTER).

#### Instruments with MS DOS controller or without controller:

baudrate = 9600, data bits = 8, stop bits = 1, parity = NONE, protocoll = NONE and owner = INSTRUMENT.

#### Manually:

Setting interface COM1|2

- Call *SETUP-GENERAL SETUP* menu
- Select desired baudrate, bits, stopbit, parity and protocoll in table *COM PORT 1/2*.
- Set owner to Instrument or INSTR and DOS in table *COM PORT1/2* (with MS DOS option FSE-B15 only)
- Terminate input using one of the unit keys (=ENTER).

### Return to Manual Operation

Return to manual operation is possible via the front panel or via RS-232 interface.

#### Manually:

- Press the *LOCAL* key.

**Notes:** *Before switchover, command processing must be completed as otherwise switchover to remote control is effected immediately.*

- *The LOCAL key can be disabled by the universal command LLO (see chapter 8) in order to prevent unintentional switchover. In this case, switchover to manual mode is only possible via remote control.*
- *The LOCAL key can be enabled again by sending the control codes "@LOC" via RS-232 (see chapter 8).*

#### Via RS-232:

```
...
V24puts(port, '@LOC');      Set instrument to manual operation.
...
```

**Limitations**

The following limitations apply if the unit is remote-controlled via the RS-232-C interface:

- No interface messages, some control codes are defined (see chapter 8).
- Only the Common Commands \*OPC? can be used for command synchronization, \*WAI and \*OPC are not available.
- Block data cannot be transmitted.

When Windows NT is booted, data are output via the COM interface because of automatic external device recognition. Therefore, it is recommended to clear the input buffer of the controller before remote operation of the instrument via the COM interface.

## Remote Control via RSIB Interface

**Notes:** The RSIB interface is only available for instruments equipped with controller option, FSE-B15.

### Windows Environment

To access the measuring instruments via the RSIB interface the DLLs should be installed in the corresponding directories:

#### Instruments with Windows NT controller:

- RSIB.DLL in Windows NT `system` directory or control application directory.
- RSIB32.DLL in Windows NT `system32` directory or control application directory.

On the measuring instrument the DLL is already installed in the corresponding directory.

#### Instruments with MS DOS controller

- RSIB.DLL in Windows NT `system` directory or control application directory.

### Unix Environment – with Windows NT Controller

In order to access the measuring equipment via the RSIB interface, copy the `librsib.so.X.Y` file to a directory for which the control application has read rights. `X.Y` in the file name indicates the version number of the library, for example `1.0` (for details see Chapter 8).

### Remote Control

The control is performed with Visual C++ or Visual Basic programs. The local link to the internal controller is established with the name '@local'. If a remote controller is used, the instrument IP address is to be indicated here (only with Windows NT controller).

**Via VisualBasic:**

internal controller:	ud = RSDLLibfind ('@local', ibsta, iberr, ibcntl)
remote controller:	ud = RSDLLibfind ('82.1.1.200', ibsta, iberr, ibcntl)

### Return to Manual Operation

The return to manual operation can be performed via the front panel (*LOCAL* key) or the RSIB interface.

**Manually:** ➤ Press the *LOCAL* key.

**Note:** Before switchover, command processing must be completed as otherwise switchover to remote control is effected immediately.

**Via RSIB:**

```
...
ud = RSDLLibloc (ud, ibsta, iberr, ibcntl);
...
```

## Messages

The messages transferred via the data lines of the IEC bus or the RSIB interface (see chapter 8) can be divided into two groups:

- **interface messages and**
- **device messages.**

Some control characters are defined for the control of the RS-232-interface (see chapter 8).

### IEE/IEEE-Bus Interface Messages

Interface messages are transferred on the data lines of the IEC bus, the "ATN" control line being active. They are used for communication between controller and instrument and can only be sent by a controller which has the IEC-bus control. Interface commands can be subdivided into

- **universal commands and**
- **addressed commands.**

Universal commands act on all devices connected to the IEC bus without previous addressing, addressed commands only act on devices previously addressed as listeners. The interface messages relevant to the instrument are listed in chapter 8.

### RSIB Interface Messages

The RSIB interface enables the instrument to be controlled by Visual C++ or Visual Basic programs. The interface functions are matched to the function interface for IEC/IEEE-bus programming from National Instruments.

The functions supported by interface are listed in chapter 8.

## Device Messages (Commands and Device Responses)

Device messages are transferred on the data lines of the IEC bus, the "ATN" control line not being active. ASCII code is used. The device messages are more or less equal for the different interfaces. A distinction is made according to the direction in which they are sent on the IEC bus:

- **Commands** are messages the controller sends to the instrument. They operate the device functions and request informations.  
The commands are subdivided according to two criteria:
  1. According to the effect they have on the instrument:
    - Setting commands** cause instrument settings such as reset of the instrument or setting the center frequency.
    - Queries** cause data to be provided for output on the IEC-bus, e.g. for identification of the device or polling the marker.
  2. According to their definition in standard IEEE 488.2:
    - Common Commands** are exactly defined as to their function and notation in standard IEEE 488.2. They refer to functions such as management of the standardized status registers, reset and selftest.
    - Device-specific commands** refer to functions depending on the features of the instrument such as frequency setting. A majority of these commands has also been standardized by the SCPI committee (cf. Section 3.5.1).
- **Device responses** are messages the instrument sends to the controller after a query. They can contain measurement results, instrument settings and information on the instrument status (cf. Section 3.5.4).

Structure and syntax of the device messages are described in the following section. The commands are listed and explained in detail in chapter 6.

## Structure and Syntax of the Device Messages

### SCPI Introduction

SCPI (Standard Commands for Programmable Instruments) describes a standard command set for programming instruments, irrespective of the type of instrument or manufacturer. The goal of the SCPI consortium is to standardize the device-specific commands to a large extent. For this purpose, a model was developed which defines the same functions inside a device or for different devices. Command systems were generated which are assigned to these functions. Thus it is possible to address the same functions with identical commands. The command systems are of a hierarchical structure.

Fig. 5-1 illustrates this tree structure using a section of command system SENSE, which controls the sensor functions of the devices.

SCPI is based on standard IEEE 488.2, i.e. it uses the same syntactic basic elements as well as the common commands defined in this standard. Part of the syntax of the device responses is defined with greater restrictions than in standard IEEE 488.2 (see Section "Responses to Queries").

### Structure of a Command

The commands consist of a so-called header and, in most cases, one or more parameters. Header and parameter are separated by a "white space" (ASCII code 0 to 9, 11 to 32 decimal, e.g. blank). The headers may consist of several key words. Queries are formed by directly appending a question mark to the header.

**Note:** *The commands used in the following examples are not in every case implemented in the instrument.*

#### Common commands

Common commands consist of a header preceded by an asterisk "\*" and one or several parameters, if any.

Examples: \*RST        RESET, resets the device  
          \*ESE 253    EVENT STATUS ENABLE, sets the bits of the  
                          event status enable register  
          \*ESR?      EVENT STATUS QUERY, queries the  
                          contents of the event status register.

Device-specific commands

Hierarchy: Device-specific commands are of hierarchical structure (see Fig. 5-1). The different levels are represented by combined headers. Headers of the highest level (root level) have only one key word. This key word denotes a complete command system.

Example: `SENSe` This key word denotes the command system `SENSe`.

For commands of lower levels, the complete path has to be specified, starting on the left with the highest level, the individual key words being separated by a colon ":".

Example: `SENSe:FREQuency:SPAN:LINK START`

This command lies in the fourth level of the `SENSe` system. It determines which parameter remains unchanged when the span is changed. If `LINK` is set to `START`, the values of `CENTer` and `STOP` are adjusted when the span is changed.

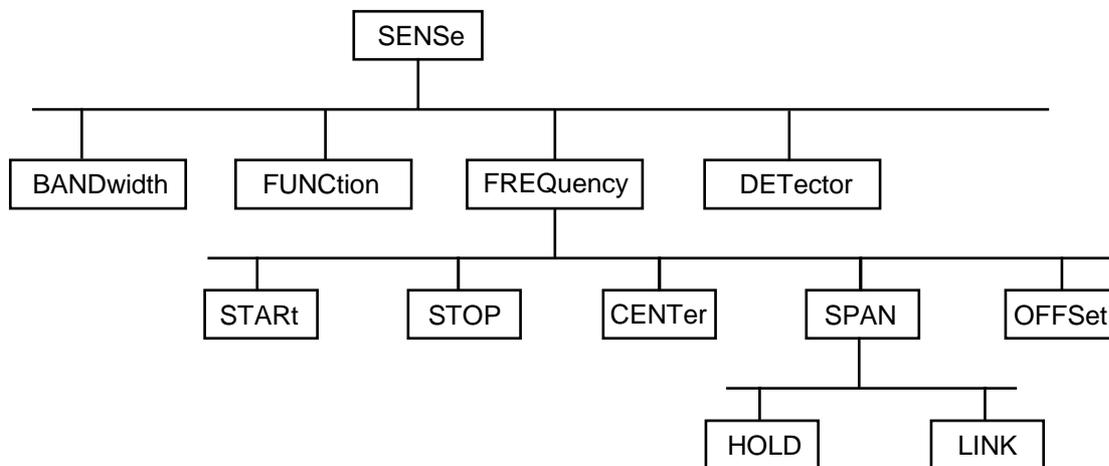


Fig. 5-1 Tree structure the SCPI command systems using the SENSE system by way of example

Some key words occur in several levels within one command system. Their effect depends on the structure of the command, that is to say, at which position in the header of a command they are inserted.

Example: `SOURce:FM:POLarity NORMal`

This command contains key word `POLarity` in the third command level. It defines the polarity between modulator and modulation signal.

`SOURce:FM:EXTernal:POLarity NORMal`

This command contains key word `POLarity` in the fourth command level. It defines the polarity between modulation voltage and the resulting direction of the modulation only for the external signal source indicated.

**Optional key words:** Some command systems permit certain key words to be optionally inserted into the header or omitted. These key words are marked by square brackets in the description. The full command length must be recognized by the instrument for reasons of compatibility with the SCPI standard. Some commands are considerably shortened by these optional key words.

**Example:** [SENSE]:BANDwidth[:RESolution]:AUTO

This command couples the resolution bandwidth of the instrument to other parameters. The following command has the same effect:

BANDwidth:AUTO

**Note:** *An optional key word must not be omitted if its effect is specified in detail by a numeric suffix.*

**Long and short form:** The key words feature a long form and a short form. Either the short form or the long form can be entered, other abbreviations are not permissible.

**Beispiel:** STATus:QUESTionable:ENABle 1= STAT:QUES:ENAB 1

**Note:** *The short form is marked by upper-case letters, the long form corresponds to the complete word. Upper-case and lower-case notation only serve the above purpose, the instrument itself does not make any difference between upper-case and lower-case letters.*

**Parameter:** The parameter must be separated from the header by a "white space". If several parameters are specified in a command, they are separated by a comma ",". A few queries permit the parameters MINimum, MAXimum and DEFault to be entered. For a description of the types of parameter, refer to Section 3.5.5.

**Example:** SENSE:FREQuency:STOP? MAXimum      Response: 3.5E9  
This query requests the maximal value for the stop frequency.

**Numeric suffix:** If a device features several functions or features of the same kind, e.g. inputs, the desired function can be selected by a suffix added to the command. Entries without suffix are interpreted like entries with the suffix 1.

**Example:** SYSTem:COMMunicate:SERial2:BAUD 9600

This command sets the baudrate of the second serial interface.

## Structure of a Command Line

A command line may consist of one or several commands. It is terminated by a <New Line>, a <New Line> with EOI or an EOI together with the last data byte. Quick BASIC automatically produces an EOI together with the last data byte.

Several commands in a command line are separated by a semicolon ";". If the next command belongs to a different command system, the semicolon is followed by a colon.

Example:

```
CALL IBWRT(analyzer, "SENSe:FREQuency:CENTer 100MHz;:INPut:ATTenuation 10")
```

This command line contains two commands. The first command is part of the SENSe system and is used to specify the center frequency of the analyzer. The second command is part of the INPut system and sets the attenuation of the input signal.

If the successive commands belong to the same system, having one or several levels in common, the command line can be abbreviated. To this end, the second command after the semicolon starts with the level that lies below the common levels (see also Fig. 5-1). The colon following the semicolon must be omitted in this case.

Example:

```
CALL IBWRT(analyzer, "SENSe:FREQuency:START 1E6;:SENSe:FREQuency:STOP 1E9")
```

This command line is represented in its full length and contains two commands separated from each other by the semicolon. Both commands are part of the SENSe command system, subsystem FREQuency, i.e. they have two common levels.

When abbreviating the command line, the second command begins with the level below SENSe:FREQuency. The colon after the semicolon is omitted.

The abbreviated form of the command line reads as follows:

```
CALL IBWRT(analyzer, "SENSe:FREQuency:START 1E6;STOP 1E9")
```

However, a new command line always begins with the complete path.

```
Example: CALL IBWRT(analyzer, "SENSe:FREQuency:START 1E6")
         CALL IBWRT(analyzer, "SENSe:FREQuency:STOP 1E9")
```

## Responses to Queries

A query is defined for each setting command unless explicitly specified otherwise. It is formed by adding a question mark to the associated setting command. According to SCPI, the responses to queries are partly subject to stricter rules than in standard IEEE 488.2.

- The requested parameter is transmitted without header.

Example: INPut:COUPling?

Response: DC

- Maximum values, minimum values and all further quantities, which are requested via a special text parameter are returned as numerical values.

Example: SENSe:FREQuency:STOP? MAX

Response: 3.5E9

- Numerical values are output without a unit. Physical quantities are referred to the basic units or to the units set using the Unit command.

Example: SENSe:FREQuency:CENTer?

Response: 1E6 for 1 MHz

- Truth values <Boolean values> are returned as 0 (for OFF) and 1 (for ON).

Example: SENSe:BANDwidth:AUTO?

Response: 1 for ON

- Text (character data) is returned in a short form (see also Section 3.5.5).

Example: SYSTem:COMMunicate:SERial:CONTRol:RTS? Response(for standard): STAN

## Parameters

Most commands require a parameter to be specified. The parameters must be separated from the header by a "white space". Permissible parameters are numerical values, Boolean parameters, text, character strings and block data. The type of parameter required for the respective command and the permissible range of values are specified in the command description (see Section 3.6).

**Numerical values** Numerical values can be entered in any form, i.e. with sign, decimal point and exponent. Values exceeding the resolution of the instrument are rounded up or down. The value range is  $-9.9E37$  to  $9.9E37$ . The exponent is introduced by an "E" or "e". Entry of the exponent alone is not permissible. In the case of physical quantities, the unit can be entered. Permissible unit prefixes are G (giga), MA (mega), MOHM and MHZ are also permissible), K (kilo), M (milli), U (micro) and N (nano). If the unit is missing, the basic unit is used.

Example:

```
SENSe:FREQuency:STOP 1.5GHz = SENSe:FREQuency:STOP 1.5E9
```

**Special numerical** The texts MINimum, MAXimum, DEFault, UP and DOWN are interpreted as special numerical values.

In the case of a query, the numerical value is provided.

Example: Setting command: `SENSe:FREQuency:STOP MAXimum`

Query: `SENSe:FREQuency:STOP?` Response: `3.5E9`

MIN/MAX MINimum and MAXimum denote the minimum and maximum value.

DEF DEFault denotes a preset value which has been stored in the EPROM. This value conforms to the default setting, as it is called by the \*RST command

UP/DOWN UP, DOWN increases or reduces the numerical value by one step. The step width can be specified via an allocated step command for each parameter which can be set via UP, DOWN.

INF/NINF INFINITY, Negative INFINITY (NINF) Negative INFINITY (NINF) represent the numerical values  $-9.9E37$  or  $9.9E37$ , respectively. INF and NINF are only sent as device responses.

NAN Not A Number (NAN) represents the value  $9.91E37$ . NAN is only sent as device response. This value is not defined. Possible causes are the division by zero, the subtraction/addition of infinite and the representation of undefined values.

**Boolean Parameters** Boolean parameters represent two states. The ON state (logically true) is represented by ON or a numerical value unequal to 0. The OFF state (logically untrue) is represented by OFF or the numerical value 0. 0 or 1 is provided in a query.

Example: Setting command: `DISPlay:WINDow:STATE ON`

Query: `DISPlay:WINDow:STATE?` Response: `1`

**Text** Text parameters observe the syntactic rules for key words, i.e. they can be entered using a short or long form. Like any parameter, they have to be separated from the header by a white space. In the case of a query, the short form of the text is provided.

Example: Setting command: `INPut:COUPling GROund`  
 Query: `INPut:COUPling?` Response `GRO`

**Strings** Strings must always be entered in quotation marks (' or ").

Example: `SYSTem:LANGUage "SCPI"` or  
`SYSTem:LANGUage 'SCPI'`

**Block data** Block data are a transmission format which is suitable for the transmission of large amounts of data. A command using a block data parameter has the following structure:

Example: `HEADer:HEADer #45168xxxxxxxx`

ASCII character # introduces the data block. The next number indicates how many of the following digits describe the length of the data block. In the example the 4 following digits indicate the length to be 5168 bytes. The data bytes follow. During the transmission of these data bytes all End or other control signs are ignored until all bytes are transmitted..

## Overview of Syntax Elements

The following survey offers an overview of the syntax elements.

- `:` The colon separates the key words of a command.  
In a command line the separating semicolon marks the uppermost command level.
- `;` The semicolon separates two commands of a command line.  
It does not alter the path.
- `,` The comma separates several parameters of a command.
- `?` The question mark forms a query.
- `*` The asterisk marks a common command.
- `"`  
`'` Double or single quotation marks introduce a string and terminate it.
- `#` The double dagger # introduces block data.
- A "white space" (ASCII-Code 0 to 9, 11 to 32 decimal, e.g. blank) separates header and parameter.

## Instrument Model and Command Processing

The instrument model shown in Fig. 5-2 has been made viewed from the standpoint of the servicing of IEC-bus commands. The individual components work independently of each other and simultaneously. They communicate by means of so-called "messages".

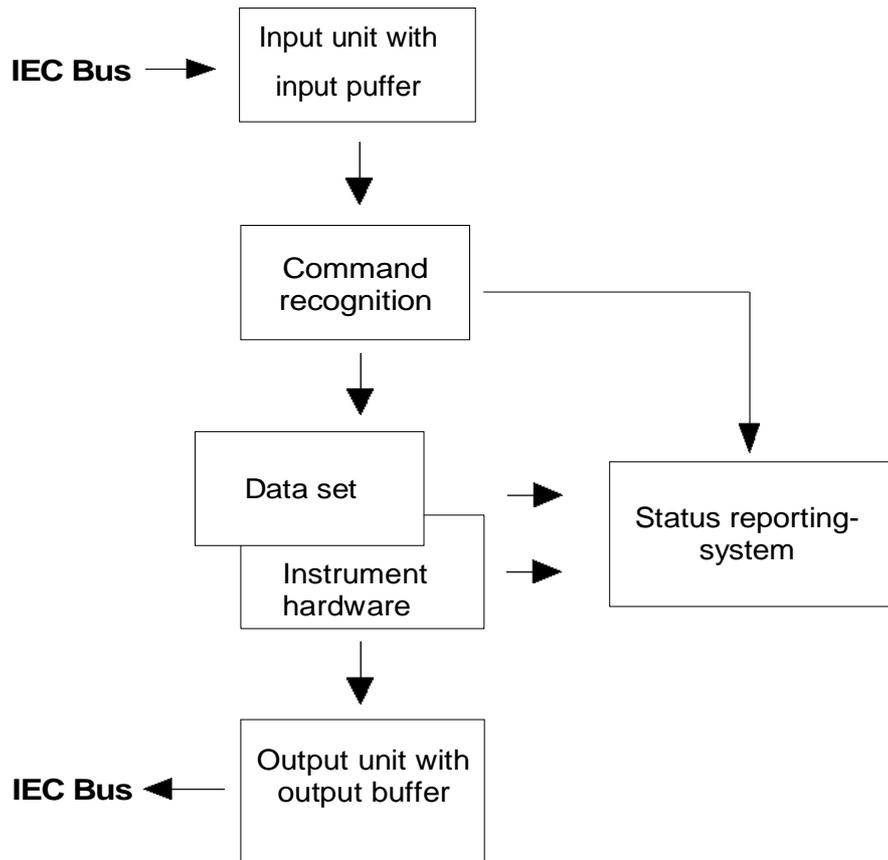


Fig. 5-2 Instrument model in the case of remote control by means of the IEC bus

### Input Unit

The input unit receives commands character by character from the IEC bus and collects them in the input buffer. The input buffer has a size of 256 characters. The input unit sends a message to the command recognition as soon as the input buffer is full or as soon as it receives a delimiter, <PROGRAM MESSAGE TERMINATOR>, as defined in IEEE 488.2, or the interface message DCL.

If the input buffer is full, the IEC-bus traffic is stopped and the data received up to then are processed. Subsequently the IEC-bus traffic is continued. If, however, the buffer is not yet full when receiving the delimiter, the input unit can already receive the next command during command recognition and execution. The receipt of a DCL clears the input buffer and immediately initiates a message to the command recognition.

## **Command Recognition**

The command recognition analyses the data received from the input unit. It proceeds in the order in which it receives the data. Only a DCL is serviced with priority, a GET (Group Execute Trigger), e.g., is only executed after the commands received before as well. Each recognized command is immediately transferred to the data set but without being executed there at once.

Syntactical errors in the command are recognized here and supplied to the status reporting system. The rest of a command line after a syntax error is analysed further if possible and serviced.

If the command recognition recognizes a delimiter or a DCL, it requests the data set to set the commands in the instrument hardware as well now. Subsequently it is immediately prepared to process commands again. This means for the command servicing that further commands can already be serviced while the hardware is still being set ("overlapping execution").

## **Data Set and Instrument Hardware**

Here the expression "instrument hardware" denotes the part of the instrument fulfilling the actual instrument function - signal generation, measurement etc. The controller is not included.

The instrument data base is a detailed reproduction of the instrument hardware in the software.

IEC-bus setting commands lead to an alteration in the data set. The data base management enters the new values (e.g. frequency) into the data base, however, only passes them on to the hardware when requested by the command recognition.

The data are only checked for their compatibility among each other and with the instrument hardware immediately before they are transmitted to the instrument hardware. If the detection is made that an execution is not possible, an "execution error" is signalled to the status reporting system. The alteration of the data base are cancelled, the instrument hardware is not reset.

IEC-bus queries induce the data set management to send the desired data to the output unit.

## **Status Reporting System**

The status reporting system collects information on the instrument state and makes it available to the output unit on request. The exact structure and function are described in the following section.

## Output Unit

The output unit collects the information requested by the controller, which it receives from the data set management. It processes it according to the SCPI rules and makes it available in the output buffer. The output buffer has a size of 4096 characters. If the information requested is longer, it is made available "in portions" without this being recognized by the controller.

If the instrument is addressed as a talker without the output buffer containing data or awaiting data from the data set management, the output unit sends error message "Query UNTERMINATED" to the status reporting system. No data are sent on the IEC bus, the controller waits until it has reached its time limit. This behaviour is specified by SCPI.

## Command Sequence and Command Synchronization

What has been said above makes clear that all commands can potentially be carried out overlapping. Equally, setting commands within one command line are not absolutely serviced in the order in which they have been received.

In order to make sure that commands are actually carried out in a certain order, each command must be sent in a separate command line, that is to say, with a separate IBWRT()-call.

In order to prevent an overlapping execution of commands, one of commands \*OPC, \*OPC? or \*WAI must be used. All three commands cause a certain action only to be carried out after the hardware has been set and has settled. By a suitable programming, the controller can be forced to wait for the respective action to occur (cf. Table 5-1).

Table 5-1 Synchronisation using \*OPC, \*OPC? and \*WAI

Commnd	Action after the hardware has settled	Programming the controller
*OPC	Setting the operation-complete bit in the ESR	- Setting bit 0 in the ESE - Setting bit 5 in the SRE - Waiting for service request (SRQ)
*OPC?	Writing a "1" into the output buffer	Addressing the instrument as a talker
*WAI	Continuing the IEC-bus handshake	Sending the next command

An example as to command synchronization can be found in chapter 7 "Program Examples".

# Status Reporting System

The status reporting system (cf. Fig. 5-3) stores all information on the present operating state of the instrument, e.g. that the instrument presently carries out an AUTORANGE and on errors which have occurred. This information is stored in the status registers and in the error queue. The status registers and the error queue can be queried via IEC bus.

The information is of a hierarchical structure. The register status byte (STB) defined in IEEE 488.2 and its associated mask register service request enable (SRE) form the uppermost level. The STB receives its information from the standard event status register (ESR) which is also defined in IEEE 488.2 with the associated mask register standard event status enable (ESE) and registers STATus:OPERation and STATus:QUESTionable which are defined by SCPI and contain detailed information on the instrument.

The IST flag ("Individual STatus") and the parallel poll enable register (PPE) allocated to it are also part of the status reporting system. The IST flag, like the SRQ, combines the entire instrument status in a single bit. The PPE fulfills an analog function for the IST flag as the SRE for the service request.

The output buffer contains the messages the instrument returns to the controller. It is not part of the status reporting system but determines the value of the MAV bit in the STB and thus is represented in Fig. 5-3.

Table 5-12 at the end of this chapter comprises the different commands and events causing the status reporting system to be reset.

## Structure of an SCPI Status Register

Each SCPI register consists of 5 parts which each have a width of 16 bits and have different functions (cf. Fig. 5-2). The individual bits are independent of each other, i.e. each hardware status is assigned a bit number which is valid for all five parts. For example, bit 3 of the STATus:OPERation register is assigned to the hardware status "wait for trigger" in all five parts. Bit 15 (the most significant bit) is set to zero for all parts. Thus the contents of the register parts can be processed by the controller as positive integer.

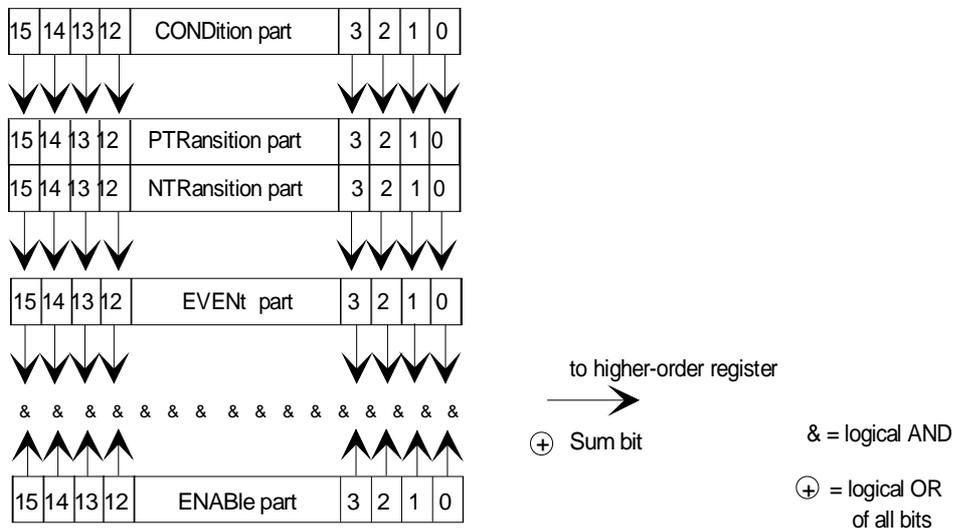


Fig. 5-2 The status-register model

<b>CONDition part</b>	The CONDition part is directly written into by the hardware or the sum bit of the next lower register. Its contents reflects the current instrument status. This register part can only be read, but not written into or cleared. Its contents is not affected by reading.
<b>PTRansition part</b>	The Positive-TRansition part acts as an edge detector. When a bit of the CONDition part is changed from 0 to 1, the associated PTR bit decides whether the EVENT bit is set to 1. PTR bit =1: the EVENT bit is set. PTR bit =0: the EVENT bit is not set. This part can be written into and read at will. Its contents is not affected by reading.
<b>NTRansition part</b>	The Negative-TRansition part also acts as an edge detector. When a bit of the CONDition part is changed from 1 to 0, the associated NTR bit decides whether the EVENT bit is set to 1. NTR-Bit = 1: the EVENT bit is set. NTR-Bit = 0: the EVENT bit is not set. This part can be written into and read at will. Its contents is not affected by reading.  With these two edge register parts the user can define which state transition of the condition part (none, 0 to 1, 1 to 0 or both) is stored in the EVENT part.
<b>EVENT part</b>	The EVENT part indicates whether an event has occurred since the last reading, it is the "memory" of the condition part. It only indicates events passed on by the edge filters. It is permanently updated by the instrument. This part can only be read by the user. During reading, its contents is set to zero. In linguistic usage this part is often equated with the entire register.
<b>ENABLE part</b>	The ENABLE part determines whether the associated EVENT bit contributes to the sum bit (cf. below). Each bit of the EVENT part is ANDed with the associated ENABLE bit (symbol '&'). The results of all logical operations of this part are passed on to the sum bit via an OR function (symbol '+'). ENABLE-Bit = 0: the associated EVENT bit does not contribute to the sum bit ENABLE-Bit = 1: if the associated EVENT bit is "1", the sum bit is set to "1" as well. This part can be written into and read by the user at will. Its contents is not affected by reading.
<b>Sum bit</b>	As indicated above, the sum bit is obtained from the EVENT and ENABLE part for each register. The result is then entered into a bit of the CONDition part of the higher-order register. The instrument automatically generates the sum bit for each register. Thus an event, e.g. a PLL that has not locked, can lead to a service request throughout all levels of the hierarchy.
<b>Note:</b>	<i>The service request enable register SRE defined in IEEE 488.2 can be taken as ENABLE part of the STB if the STB is structured according to SCPI. By analogy, the ESE can be taken as the ENABLE part of the ESR.</i>

# Overview of the Status Registers

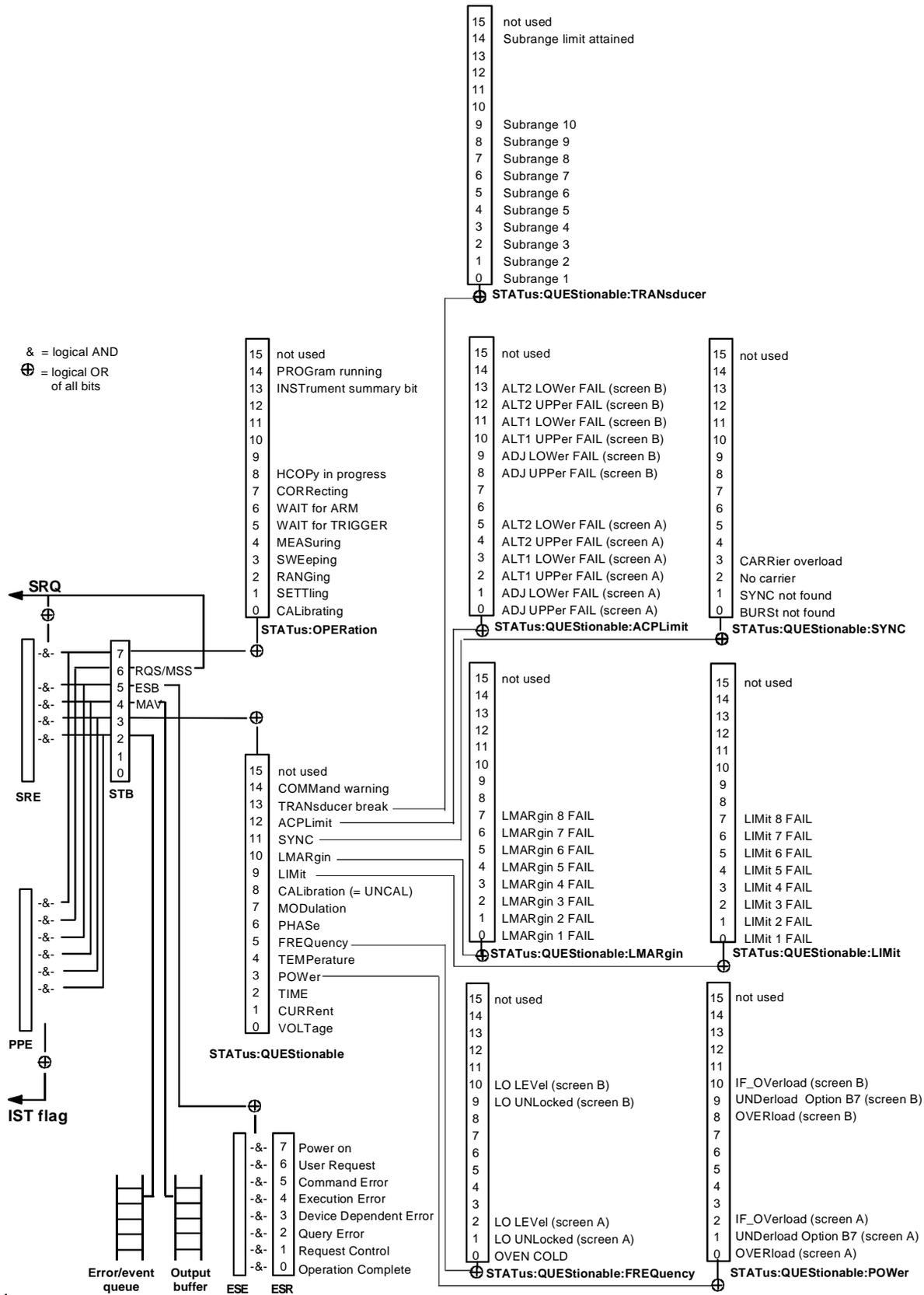


Fig. 5-3 Overview of the status registers

## Description of the Status Registers

### Status Byte (STB) and Service Request Enable Register (SRE)

The STB is already defined in IEEE 488.2. It provides a rough overview of the instrument status by collecting the pieces of information of the lower registers. It can thus be compared with the CONDition part of an SCPI register and assumes the highest level within the SCPI hierarchy. A special feature is that bit 6 acts as the sum bit of the remaining bits of the status byte.

The STATUS BYTE is read out using the command "**\*STB?**" or a serial poll.

The STB implies the SRE. It corresponds to the ENABLE part of the SCPI registers as to its function. Each bit of the STB is assigned a bit in the SRE. Bit 6 of the SRE is ignored. If a bit is set in the SRE and the associated bit in the STB changes from 0 to 1, a Service Request (SRQ) is generated on the IEC bus, which triggers an interrupt in the controller if this is appropriately configured and can be further processed there.

The SRE can be set using command "**\*SRE**" and read using "**\*SRE?**".

Table 5-2 Meaning of the bits in the status byte

Bit No.	Meaning
2	<p><b>Error Queue not empty</b></p> <p>The bit is set when an entry is made in the error queue. If this bit is enabled by the SRE, each entry of the error queue generates a Service Request. Thus an error can be recognized and specified in greater detail by polling the error queue. The poll provides an informative error message. This procedure is to be recommended since it considerably reduces the problems involved with IEC-bus control.</p>
3	<p><b>QUESTIONable status sum bit</b></p> <p>The bit is set if an EVENT bit is set in the QUESTIONable-Status register and the associated ENABLE bit is set to 1. A set bit indicates a questionable instrument status, which can be specified in greater detail by polling the QUESTIONable-Status register.</p>
4	<p><b>MAV bit</b> (message available)</p> <p>The bit is set if a message is available in the output buffer which can be read. This bit can be used to enable data to be automatically read from the instrument to the controller (cf. chapter 7, program examples).</p>
5	<p><b>ESB bit</b></p> <p>Sum bit of the event status register. It is set if one of the bits in the event status register is set and enabled in the event status enable register. Setting of this bit implies an error or an event which can be specified in greater detail by polling the event status register.</p>
6	<p><b>MSS bit</b> (master status summary bit)</p> <p>The bit is set if the instrument triggers a service request. This is the case if one of the other bits of this registers is set together with its mask bit in the service request enable register SRE.</p>
7	<p><b>OPERation status register sum bit</b></p> <p>The bit is set if an EVENT bit is set in the OPERation-Status register and the associated ENABLE bit is set to 1. A set bit indicates that the instrument is just performing an action. The type of action can be determined by polling the OPERation-status register.</p>

### IST Flag and Parallel Poll Enable Register (PPE)

By analogy with the SRQ, the IST flag combines the entire status information in a single bit. It can be queried by means of a parallel poll or using command "\*IST?".

The parallel poll enable register (PPE) determines which bits of the STB contribute to the IST flag. The bits of the STB are ANDed with the corresponding bits of the PPE, with bit 6 being used as well in contrast to the SRE. The Ist flag results from the ORing of all results. The PPE can be set using commands "\*PRE" and read using command "\*PRE?".

### Event-Status Register (ESR) and Event-Status-Enable Register (ESE)

The ESR is already defined in IEEE 488.2. It can be compared with the EVENT part of an SCPI register. The event status register can be read out using command "\*ESR?".

The ESE is the associated ENABLE part. It can be set using command "\*ESE" and read using command "\*ESE?".

Table 5-3 Meaning of the bits in the event status register

Bit No.	Meaning
0	<b>Operation Complete</b> This bit is set on receipt of the command *OPC exactly when all previous commands have been executed.
1	<b>Request Control</b> This bit is set if the instrument requests the controller function. This is the case when hardcopy is outputted to a printer or a plotter via the IEC-bus.
2	<b>Query Error</b> This bit is set if either the controller wants to read data from the instrument without having send a query, or if it does not fetch requested data and sends new instructions to the instrument instead. The cause is often a query which is faulty and hence cannot be executed.
3	<b>Device-dependent Error</b> This bit is set if a device-dependent error occurs. An error message with a number between -300 and -399 or a positive error number, which denotes the error in greater detail, is entered into the error queue (cf. chapter 9, Error Messages).
4	<b>Execution Error</b> This bit is set if a received command is syntactically correct, however, cannot be performed for other reasons. An error message with a number between -200 and -300, which denotes the error in greater detail, is entered into the error queue (cf. chapter 9, Error Messages).
5	<b>Command Error</b> This bit is set if a command which is undefined or syntactically incorrect is received. An error message with a number between -100 and -200, which denotes the error in greater detail, is entered into the rror queue (cf. chapter 9, -Error Messages).
6	<b>User Request</b> This bit is set on pressing the LOCAL key.
7	<b>Power On</b> (supply voltage on) This bit is set on switching on the instrument.

## STATus:OPERation Register

In the CONDition part, this register contains information on which actions the instrument is being executing or, in the EVENt part, information on which actions the instrument has executed since the last reading. It can be read using commands "STATus:OPERation:CONDition?" or "STATus:OPERation[:EVENT]?".

Table 5-4 Meaning of the bits in the STATus.OPERation register

Bit No.	Meaning
0	<b>CALibrating</b> This bit is set as long as the instrument is performing a calibration.
1	<b>SETTling</b> This bit is set as long as the new status is settling after a setting command. It is only set if the settling time is longer than the command processing time.
2	<b>RANGing</b> This bit is set as long as the instrument is changing a range (e.g. Autorange).
3	<b>SWEeping</b> This bit is set while the instrument is performing a sweep.
4	<b>MEASuring</b> This bit is set while the instrument is performing a measurement.
5	<b>WAIT for TRIGGER</b> This bit is set as long as the instrument is waiting for a trigger event.
6	<b>WAIT for ARM</b> This bit is set as long as the instrument is waiting for an arming event.
7	<b>CORRecting</b> This bit is set while the instrument is performing a correction.
8	<b>HardCOPy in progress</b> This bit is set while the instrument is printing a hardcopy.
9-12	Device dependent
13	<b>INSTrument Summary Bit</b> This bit is set when one or more logical instruments is reporting a status message.
14	<b>PROGram running</b> This bit is set while the instrument is performing a program.
15	This bit is always 0

The FSE supports bits 0 and 8.

## STATus:QUEStionable Register

This register comprises information about indefinite states which may occur if the unit is operated without meeting the specifications. It can be queried by commands `STATus:QUEStionable:CONDition?` and `STATus:QUEStionable[:EVENT]?`.

Table 5-5 Meaning of bits in STATus:QUEStionable register

Bit No.	Meaning
0	<b>VOLTage</b> This bit is set if a questionable voltage occurs.
1	<b>CURRent</b> This bit is set if a questionable current occurs.
2	<b>TIME</b> This bit is set if a questionable time occurs.
3	<b>POWER</b> This bit is set if a questionable power occurs (cf. also section "STATus:QUEStionable:POWERRegister")
4	<b>TEMPerature</b> This bit is set if a questionable temperature occurs.
5	<b>FREQuency</b> The bit is set if a frequency is questionable (cf. section "STATus:QUEStionable:FREQuency Register")
6	<b>PHASe</b> The bit is set if a phase value is questionable.
7	<b>MODulation</b> The bit is set if a modulation is performed questionably.
8	<b>CALibration</b> The bit is set if a measurement is performed uncalibrated ( $\hat{=}$ label "UNCAL")
9	<b>LIMit</b> (unit-dependent) This bit is set if a limit value is violated (see also section STATus:QUEStionable:LIMit Register)
10	<b>LMARgin</b> (unit-dependent) This bit is set if a margin is violated (see also section STATus:QUEStionable:LMARgin Register)
11	<b>SYNC</b> (unit-dependent) This bit is set if, during measurements with Option B7 (Signal Vector Analysis), the synchronization with midamble or a successful search for bursts cannot be performed (see also STATus:QUEStionable:SYNC Register)
12	<b>ACPLimit</b> (unit-dependent) This bit is set if a limit for the adjacent channel power measurement is violated (see also section STATus:QUEStionable:ACPLimit Register)
13	<b>TRANsducer break</b> This bit is set when the limit of the transducer set subrange is attained.
14	<b>COMMand Warning</b> This bit is set if the instrument ignores parameters when executing a command.
15	This bit is always 0.

The FSE supports bits 3, 5, 7, 8, 9, 10, 11, 12 and 13, bits 7 (MODulation) and 11 (SYNC) only with option FSE-B7, Vector Signal Analysis'.

## STATus QUESTIONable:ACPLimit Register

This register comprises information about the observance of limits during adjacent power measurements. It can be queried with commands 'STATus:QUESTIONable:ACPLimit:CONDition?' and 'STATus:QUESTIONable:ACPLimit[:EVENT]?'

Table 5- Meaning of bits in STATus:QUESTIONable:ACPLimit register

Bit No.	Meaning
0	<b>ADJ UPPER FAIL (Screen A)</b> This bit is set if the limit is exceeded in the upper adjacent channel.
1	<b>ADJ LOWER FAIL (Screen A)</b> This bit is set if the limit is exceeded in the lower adjacent channel.
2	<b>ALT1 UPPER FAIL (Screen A)</b> This bit is set if the limit is exceeded in the upper 1st alternate channel.
3	<b>ALT1 LOWER FAIL (Screen A)</b> This bit is set if the limit is exceeded in the lower 1st alternate channel.
4	<b>ALT2 UPPER FAIL (Screen A)</b> This bit is set if the limit is exceeded in the upper 2nd alternate channel.
5	<b>ALT2 LOWER FAIL (Screen A)</b> This bit is set if the limit is exceeded in the lower 2nd alternate channel.
6	not used
7	not used
8	<b>ADJ UPPER FAIL (Screen B)</b> This bit is set if the limit is exceeded in the upper adjacent channel.
9	<b>ADJ LOWER FAIL (Screen B)</b> This bit is set if the limit is exceeded in the lower adjacent channel.
10	<b>ALT1 UPPER FAIL (Screen B)</b> This bit is set if the limit is exceeded in the upper 1st alternate channel.
11	<b>ALT1 LOWER FAIL (Screen B)</b> This bit is set if the limit is exceeded in the lower 1st alternate channel.
12	<b>ALT2 UPPER FAIL (Screen B)</b> This bit is set if the limit is exceeded in the upper 2nd alternate channel.
13	<b>ALT2 LOWER FAIL (Screen A)</b> This bit is set if the limit is exceeded in the lower 2nd alternate channel.
14	not used
15	This bit is always 0.

**STATUS QUESTIONABLE:FREQUENCY REGISTER**

This register comprises information about the reference and local oscillator. It can be queried with commands `STATUS:QUESTIONABLE:FREQUENCY:CONDITION?` and `STATUS:QUESTIONABLE:FREQUENCY[:EVENT]?`.

Table 5-6 Meaning of bits in STATUS:QUESTIONABLE:FREQUENCY register

Bit No.	Meaning
0	<b>OVEN COLD</b> This bit is set if the reference oscillator has not yet attained its operating temperature. 'OCXO' will then be displayed.
1	<b>LO UNLocked (Screen A)</b> This bit is set if the local oscillator no longer locks. 'LO unl' will then be displayed.
2	<b>LO LEVei (Screen A)</b> This bit is set if the level of the local oscillator is smaller than the nominal value. 'LO LVL' will then be displayed.
3	not used
4	not used
5	not used
6	not used
7	not used
8	not used
9	<b>LO UNLocked (Screen B)</b> This bit is set if the local oscillator no longer locks.' LO unl' will then be displayed.
10	<b>LO LEVei (Screen B)</b> This bit is set if the level of the local oscillator is smaller than the nominal value. 'LO LVL' will then be displayed.
11	not used
12	not used
13	not used
14	not used
15	This bit is always 0.

**STATus:QUESTionable:LIMit Register**

This register comprises information about the observance of limit lines. It can be queried with commands `STATus:QUESTionable:LIMit:CONDition?` and `STATus:QUESTionable:LIMit[:EVENT]?`.

Table 5-7 Meaning of bits in STATus:QUESTionable:LIMit register

Bit No.	Meaning
0	<b>LIMit 1 FAIL</b> This bit is set if limit line 1 is violated.
1	<b>LIMit 2 FAIL</b> This bit is set if limit line 2 is violated.
2	<b>LIMit 3 FAIL</b> This bit is set if limit line 3 is violated.
3	<b>LIMit 4 FAIL</b> This bit is set if limit line 4 is violated.
4	<b>LIMit 5 FAIL</b> This bit is set if limit line 5 is violated.
5	<b>LIMit 6 FAIL</b> This bit is set if limit line 6 is violated.
6	<b>LIMit 7 FAIL</b> This bit is set if limit line 7 is violated.
7	<b>LIMit 8 FAIL</b> This bit is set if limit line 8 is violated.
8	not used
9	not used
10	not used
11	not used
12	not used
13	not used
14	not used
15	This bit is always 0.

### STATus QUEStionable:LMARgin Register

This register comprises information about the observance of limit margins. It can be queried with commands `STATus:QUEStionable:LMARgin:CONDition?` and `"STATus:QUEStionable:LMARgin[:EVENT]?"`.

Table 5-8 Meaning of bits in STATus:QUEStionable:LMARgin register

Bit No.	Meaning
0	<b>LMARgin 1 FAIL</b> This bit is set if limit margin 1 is violated.
1	<b>LMARgin 2 FAIL</b> This bit is set if limit margin 2 is violated.
2	<b>LMARgin 3 FAIL</b> This bit is set if limit margin 3 is violated.
3	<b>LMARgin 4 FAIL</b> This bit is set if limit margin 4 is violated.
4	<b>LMARgin 5 FAIL</b> This bit is set if limit margin 5 is violated.
5	<b>LMARgin 6 FAIL</b> This bit is set if limit margin 1 is violated.
6	<b>LMARgin 7 FAIL</b> This bit is set if limit margin 7 is violated.
7	<b>LMARgin 8 FAIL</b> This bit is set if limit margin 8 is violated.
8	not used
9	not used
10	not used
11	not used
12	not used
13	not used
14	not used
15	This bit is always 0.

## STATus QUEStionable:POWer Register

This register comprises all information about possible overloads of the unit.

It can be queried with commands `STATus:QUEStionable :POWer:CONDition?` and `"STATus:QUEStionable:POWer [:EVENT]?"`.

Table 5-9 Meaning of bits in STATus:QUEStionable:POWer register

Bit No.	Meaning
0	<b>OVERload</b> (Screen A) This bit is set if the RF input is overloaded. 'OVLD' will then be displayed.
1	<b>UNDERload</b> (Screen A) - Option FSE-B7 This bit is set if, during measurements in vector analyzer mode without capture buffer used, the lower level limit in the IF path is violated.
2	<b>IF_OVERload</b> (Screen A) This bit is set if the IF path is overloaded. 'IFOVLD' will then be displayed.
3	not used
4	not used
5	not used
6	not used
7	not used
8	<b>OVERload</b> (Screen B) This bit is set if the RF input is overloaded. 'OVLD' will then be displayed.
9	<b>UNDERload</b> (Screen B) - Option FSE-B7 This bit is set if, during measurements without capture buffer used, the lower level limit in the IF path is violated.
10	<b>IF_OVERload</b> (Screen B) This bit is set if the IF path is overloaded. 'IFOVLD' will then be displayed.
11	not used
12	not used
13	not used
14	not used
15	This bit is always 0.

## STATus:QUESTionable:SYNC Register

This register comprises information about sync and burst events related to Vector Analyzer mode, option FSE-B7, and to GSM measurements, options FSE-K10/20/30 and FSE-K11/21/31). It can be queried with commands `STATus:QUESTionable:SYNC:CONDition?` and `"STATus:QUESTionable:SYNC[:EVENT]?"`.

Table 5-10 Meaning of bits in STATus:QUESTionable:SYNC register

Bit No.	Meaning
0	<b>BURSt not found</b> This bit is set if a burst was not found.
1	<b>SYNC not found</b> This bit is set if the sync sequence of midamble was not found.
2	<b>No carrier</b> This bit is set if the carrier power determined in the pre-measurement is 20 dB below of the expected signal power (options FSE-K10/ FSE-K11).
3	<b>Carrier overload</b> This bit is set if the carrier power determined in the pre-measurement is 4 dB above of the expected signal power (options FSE-K10/ FSE-K11).
4 to 14	not used
15	This bit is always 0.

The 'SYNC not found' and 'BURSt not found' bits are set with all measurements evaluating this information. The bits are recalculated for each sweep so that they show the current status at the end of a sweep.

GSM measurements (options FSE-K10 and FSE-K11) carrying along the two bits synchronously with the sweep:

- CPW Carrier Power activated with 'Sync To Midamble' (\*)
- PVT Power versus Time activated with 'Sync To Midamble' (\*)
- PFE Phase/Frequency Error
- MAC Modulation Accuracy
- TAA Trigger AutoAdjust

\* With GMSK modulation, the PVT and CPW measurements do not perform a burst search. The burst search is only active with 8PSK modulation (EDGE).

The Carrier Overload' and 'No Carrier' bits are reset at the beginning of each GSM measurement (options FSE-K10 and FSE-K11) and, if required, set at the end of the pre-measurement. If single-step measurements (CPW) are performed, the bits are set after the initial step and reset again at the beginning of the next.

GSM measurements with bit setting as required:

- CPW Carrier Power (first step only, measurement of full power)
- PVT Power versus Time (setting possible after each of the two pre-measurements)
- MOD Modulation Spectrum
- TRA Transient Spectrum (\*\*)

\*\* With FSE-K10 (mobile) and power coupling OFF selected, a pre-measurement is not performed. Measuring the carrier power is therefore not possible and so the two bits are not set.

## STATus QUESTionable:TRANsducer Register

This register indicates that a transducer hold point is attained (bit 15) and what range is to be swept next (bit 0 to 10). The sweep can be continued with command `INITiate2:CONMeasure`.

It can be queried with commands `STATus:QUESTionable:TRANsducer:CONDition?` and `"STATus:QUESTionable:TRANsducer[:EVENT]?"`.

Table 5-11 Meaning of bits in STATus:QUESTionable:TRANsducer register

Bit No.	Meaning
0	<b>Range 1</b> This bit is set when subrange 1 is attained.
1	<b>Range 2</b> This bit is set when subrange 2 is attained.
2	<b>Range 3</b> This bit is set when subrange 3 is attained.
3	<b>Range 4</b> This bit is set when subrange 4 is attained.
4	<b>Range 5</b> This bit is set when subrange 1 is attained.
5	<b>Range 6</b> This bit is set when subrange 6 is attained.
6	<b>Range 7</b> This bit is set when subrange 7 is attained.
7	<b>Range 8</b> This bit is set when subrange 8 is attained.
8	<b>Range 9</b> This bit is set when subrange 9 is attained.
9	<b>Range 10</b> This bit is set when subrange 10 is attained.
10	<b>not used</b>
11	<b>not used</b>
12	<b>not used</b>
13	<b>not used</b>
14	<b>Subrange limit</b> This bit is set when the transducer is at the point of changeover from one range to another.
15	This bit is always 0.

## Application of the Status Reporting Systems

In order to be able to effectively use the status reporting system, the information contained there must be transmitted to the controller and further processed there. There are several methods which are represented in the following. Detailed program examples are to be found in chapter 7, Program Examples.

### Service Request, Making Use of the Hierarchy Structure

Under certain circumstances, the instrument can send a service request (SRQ) to the controller. Usually this service request initiates an interrupt at the controller, to which the control program can react with corresponding actions. As evident from Fig. 5-3, an SRQ is always initiated if one or several of bits 2, 3, 4, 5 or 7 of the status byte are set and enabled in the SRE. Each of these bits combines the information of a further register, the error queue or the output buffer. The corresponding setting of the ENABLE parts of the status registers can achieve that arbitrary bits in an arbitrary status register initiate an SRQ. In order to make use of the possibilities of the service request, all bits should be set to "1" in enable registers SRE and ESE.

Examples (cf. Fig. 5-3 and chapter 7, Program Examples, as well):

Use of command "\*OPC" to generate an SRQ at the end of a sweep.

- Set bit 0 in the ESE (Operation Complete)
- Set bit 5 in the SRE (ESB)?

After its settings have been completed, the instrument generates an SRQ.

The SRQ is the only possibility for the instrument to become active on its own. Each controller program should set the instrument such that a service request is initiated in the case of malfunction. The program should react appropriately to the service request. A detailed example for a service request routine is to be found in chapter 7, Program Examples.

### Serial Poll

In a serial poll, just as with command "\*STB", the status byte of an instrument is queried. However, the query is realized via interface messages and is thus clearly faster. The serial-poll method has already been defined in IEEE 488.1 and used to be the only standard possibility for different instruments to poll the status byte. The method also works with instruments which do not adhere to SCPI or IEEE 488.2.

The quick-BASIC command for executing a serial poll is "IBRSP()". Serial poll is mainly used to obtain a fast overview of the state of several instruments connected to the IEC bus.

## Parallel Poll

In a parallel poll, up to eight instruments are simultaneously requested by the controller by means of a single command to transmit 1 bit of information each on the data lines, i.e., to set the data line allocated to each instrument to logically "0" or "1". By analogy to the SRE register which determines under which conditions an SRQ is generated, there is a parallel poll enable register (PPE) which is ANDed with the STB bit by bit as well considering bit 6. The results are ORed, the result is then sent (possibly inverted) as a response in the parallel poll of the controller. The result can also be queried without parallel poll by means of command "\*IST".

The instrument first has to be set for the parallel poll using quick-BASIC command "IBPPC()". This command allocates a data line to the instrument and determines whether the response is to be inverted. The parallel poll itself is executed using "IBRPP()".

The parallel-poll method is mainly used in order to quickly find out after an SRQ which instrument has sent the service request if there are many instruments connected to the IEC bus. To this effect, SRE and PPE must be set to the same value. A detailed example as to the parallel poll is to be found in chapter 7, Program Examples.

## Query by Means of Commands

Each part of every status register can be read by means of queries. The individual commands are indicated in the detailed description of the registers. What is returned is always a number which represents the bit pattern of the register queried. Evaluating this number is effected by the controller program.

Queries are usually used after an SRQ in order to obtain more detailed information on the cause of the SRQ.

## Error-Queue Query

Each error state in the instrument leads to an entry in the error queue. The entries of the error queue are detailed plain-text error messages which can be looked at in the ERROR menu via manual control or queried via the IEC bus using command "SYSTem:ERRor?". Each call of "SYSTem:ERRor?" provides an entry from the error queue. If no error messages are stored there any more, the instrument responds with 0, "No error".

The error queue should be queried after every SRQ in the controller program as the entries describe the cause of an error more precisely than the status registers. Especially in the test phase of a controller program the error queue should be queried regularly since faulty commands from the controller to the instrument are recorded there as well.

## Resetting Values of the Status Reporting System

Table 5-12 comprises the different commands and events causing the status reporting system to be reset. None of the commands, except for \*RST and SYSTem:PRESet influences the functional instrument settings. In particular, DCL does not change the instrument settings.

Table 5-12 Resetting instrument functions

Event	Switching on supply voltage		DCL,SDC (Device Clear, Selected Device Clear)	*RST or SYSTem:PRESet	STATus:PRESet	*CLS
	Power-On-Status-Clear					
	0	1				
Clear STB,ESR	—	yes	—	—	—	yes
Clear SRE,ESE	—	yes	—	—	—	—
Clear PPE	—	yes	—	—	—	—
Clear EVENTt parts of the registers	—	yes	—	—	—	yes
Clear Enable parts of all OPERation and QUESTionable registers, Fill Enable parts of all other registers with "1".	—	yes	—	—	yes	—
Fill PTRansition parts with "1", Clear NTRansition parts	—	yes	—	—	yes	—
Clear error queue	yes	yes	—	—	—	yes
Clear output buffer	yes	yes	yes	1)	1)	1)
Clear command processing and input buffer	yes	yes	yes	—	—	—

1) Every command being the first in a command line, i.e., immediately following a <PROGRAM MESSAGE TERMINATOR> clears the output buffer.

# Contents - Chapter 6 "Remote Control - Description of Commands"

<b>6 Description of Commands</b> .....	<b>6.1</b>
<b>Notation</b> .....	<b>6.1</b>
<b>Common Commands</b> .....	<b>6.4</b>
<b>ABORt Subsystem</b> .....	<b>6.8</b>
<b>CALCulate Subsystem</b> .....	<b>6.8</b>
CALCulate:DELTa marker Subsystem .....	6.9
CALCulate:DLINe Subsystem .....	6.15
CALCulate:FEED Subsystem .....	6.18
CALCulate:FORMat and CALCulate:FSK Subsystems.....	6.19
CALCulate:LIMit Subsystem .....	6.20
CALCulate:MARKer Subsystem .....	6.36
CALCulate:MATH Subsystem .....	6.61
CALCulate:X and CALCulate:UNIT Subsystem .....	6.62
<b>CALibratIon Subsystem</b> .....	<b>6.63</b>
<b>CONFigure Subsystem</b> .....	<b>6.65</b>
CONFigure:BTS Subsystem.....	6.65
CONFigure:BURSt Subsystem.....	6.73
CONFigure:MS Subsystem .....	6.77
CONFigure:SPECTrum Subsystem.....	6.85
CONFigure:SPURious Subsystem .....	6.87
<b>DIAGnostic Subsystem</b> .....	<b>6.89</b>
<b>DISPlay Subsystem</b> .....	<b>6.91</b>
<b>FETCh Subsystem</b> .....	<b>6.101</b>
FETCh:BURSt Subsystem .....	6.101
FETCh:PTEMplate Subsystem.....	6.111
FETCh:SPECTrum Subsystem .....	6.112
FETCh:SPURious Subsystem.....	6.115
<b>FORMat Subsystem</b> .....	<b>6.117</b>
<b>HCOPy Subsystem</b> .....	<b>6.119</b>
<b>INITiate Subsystem</b> .....	<b>6.125</b>
<b>INPut Subsystem</b> .....	<b>6.127</b>
<b>INSTrument Subsystem</b> .....	<b>6.130</b>
<b>MMEMory Subsystem</b> .....	<b>6.132</b>
<b>OUTPut Subsystem</b> .....	<b>6.143</b>
<b>READ Subsystem</b> .....	<b>6.145</b>
READ:BURSt Subsystem .....	6.145
READ:SPECTrum Subsystem .....	6.159
READ:SPURious Subsystem .....	6.161

**SENSE Subsystem ..... 6.163**

- SENSE:ADEMod Subsystem ..... 6.163
- SENSE:AVERage Subsystem ..... 6.165
- SENSE:BANDwidth Subsystem ..... 6.167
- SENSE:CORRection-Subsystem ..... 6.171
- SENSE:DETEctor Subsystem ..... 6.181
- SENSE:DDEMod Subsystem ..... 6.182
- SENSE:FILTEr Subsystem ..... 6.190
- SENSE:FREQuency Subsystem ..... 6.193
- SENSE:MIXer - Subsystem ..... 6.197
- SENSE:MSUMmary Subsystem ..... 6.201
- SENSE:POWEr Subsystem ..... 6.203
- SENSE:ROSCillator Subsystem ..... 6.206
- SENSE:SWEEp Subsystem ..... 6.207
- SENSE:TV Subsystem ..... 6.211

**SOURce Subsystem ..... 6.212**

**STATus Subsystem ..... 6.214**

**SYSTem Subsystem ..... 6.226**

**TRACe Subsystem ..... 6.233**

**TRIGger Subsystem ..... 6.235**

**UNIT Subsystem ..... 6.240**

**Alphabetical List of Commands ..... 6.241**

**Table of Softkeys with IEC/IEEE-Bus Command Assignment ..... 6.259**

- Basic Instrument - Signal Analysis Mode ..... 6.259
  - FREQUENCY Key Group ..... 6.259
  - LEVEL Key Group ..... 6.261
  - INPUT Key ..... 6.262
  - MARKER Key Group ..... 6.263
  - LINES Key Group ..... 6.267
  - TRACE Key Group ..... 6.269
  - SWEEP Key Group ..... 6.271
- Basic Instrument - General Device Settings ..... 6.274
  - DATA VARIATION Key Group ..... 6.274
  - SYSTEM Key Group ..... 6.274
  - CONFIGURATION Key Group ..... 6.277
  - STATUS Key Group ..... 6.279
  - HARDCOPY Key Group ..... 6.280
  - MEMORY Key Group ..... 6.281
  - USER Key ..... 6.283
- Operating Mode Vector-Signal Analyzer (Option FSE-B7) ..... 6.284
  - CONFIGURATION Key Group - Digital Demodulation ..... 6.284
  - CONFIGURATION Key Group - Analog Demodulation ..... 6.288
  - FREQUENCY Key Group ..... 6.289
  - LEVEL Key Group ..... 6.290
  - INPUT Key ..... 6.291
  - MARKER Key Group ..... 6.291
  - LINES Key Group ..... 6.293

TRACE Key Group .....	6.294
SWEEP Key Group .....	6.295
TRIGGER Key Group - Digital Demodulation .....	6.295
TRIGGER Key Group - Analog Demodulation .....	6.296
Operating Mode Tracking Generator (Option FSE-B8 to B11).....	6.297
CONFIGURATION Key Group .....	6.297
Operating Mode TV Demodulation (Option FSE-B3) .....	6.298
CONFIGURATION Key Group .....	6.298
SWEEP Key Group .....	6.298
Operating Mode GSM BTS Analyzer (Option FSE-K11) .....	6.299
CONFIGURATION Key Group .....	6.299
Operating Mode GSM MS Analyzer (Option FSE-K10).....	6.309
CONFIGURATION Key Group .....	6.309
External Mixer Output (Option FSE-B21) .....	6.319
INPUT Key Group.....	6.319



## 6 Description of Commands

### Notation

In the following sections, all commands implemented in the instrument are first listed in tables and then described in detail, separated according to the command system. The notation corresponds to the one of the SCPI standards to a large extent. The SCPI conformity information can be taken from the individual description of the commands.

#### Table of Commands

Command:	In the command column, the table provides an overview of the commands and their hierarchical arrangement (see indentations).
Parameter:	The parameter column indicates the requested parameters together with their specified range.
Unit:	The unit column indicates the basic unit of the physical parameters.
Remark:	In the remark column an indication is made on: <ul style="list-style-type: none"> <li>– whether the command does not have a query form,</li> <li>– whether the command has only one query form</li> <li>– whether this command is implemented only with a certain option of the instrument</li> </ul>

#### Indentations

The different levels of the SCPI command hierarchy are represented in the table by means of indentations to the right. The lower the level is, the farther the indentation to the right is. Please observe that the complete notation of the command always includes the higher levels as well.

Example: `:SENSE:FREQUENCY:CENTER` is represented in the table as follows:

<code>:SENSe</code>	first level
<code>:FREQuency</code>	second level
<code>:CENTer</code>	third level

#### Individual description

In the individual description, the complete notation of the command is given. An example for each command, the \*RST value and the SCPI information is written out at the end of the individual description.

The modes for which a command can be used are indicated by the following abbreviations:

A	Spectrum analysis
A-F	Spectrum analysis - frequency domain only
A-Z	Spectrum analysis - time domain only (zero span)
VA	Vector signal analysis (option FSE-B7)
VA-D	Vector signal analysis - digital demodulation (option FSE-B7)
VA-A	Vector signal analysis - analog demodulation (option FSE-B7)
BTS	GSM BTS analysis (option FSE-K11)
MS	GSM MS analysis (option FSE-K10)

**Note:** *The spectrum analysis (analyzer) mode is implemented in the basic unit. For the other modes, the corresponding options are required.*

**Upper/lower case notation** Upper/lower case letters serve to mark the long or short form of the key words of a command in the description (see Chapter 5). The instrument itself does not distinguish between upper and lower case letters.

**Special characters |** A selection of key words with an identical effect exists for several commands. These key words are indicated in the same line, they are separated by a vertical stroke. Only one of these key words has to be indicated in the header of the command. The effect of the command is independent of which of the key words is indicated.

Example: `SENSe:FREQuency:CW|:FIXed`

The two following commands of identical meaning can be formed. They set the frequency of the constantly frequent signal to 1 kHz:

`SENSe:FREQuency:CW 1E3 = SENSe:FREQuency:FIXed 1E3`

A vertical stroke in indicating the parameters marks alternative possibilities in the sense of "or". The effect of the command is different, depending on which parameter is entered.

Example: Selection of the parameters for the command

`INPut:COUPling AC | DC`

If parameter AC is selected, only the AC content is fed through, in the case of DC, the DC as well as the AC content.

**[ ]** Key words in square brackets can be omitted when composing the header (cf. Chapter 5, Section "Optional Keywords"). The full command length must be accepted by the instrument for reasons of compatibility with the SCPI standards.

Parameters in square brackets can optionally be incorporated in the command or omitted as well.

**{ }** Parameters in braces can optionally be incorporated in the command either not at all, once or several times.

**Description of parameters** Due to the standardization, the parameter section of SCPI commands consists always of the same syntactical elements. SCPI has specified a series of definitions therefore, which are used in the tables of commands. In the tables, these established definitions are indicated in angled brackets (<...>) and will be briefly explained in the following (see also Chapter 5, Section "Parameters").

<Boolean> This indication refers to parameters which can adopt two states, "on" and "off". The "off" state may either be indicated by the keyword **OFF** or by the numeric value 0, the "on" state is indicated by **ON** or any numeric value other than zero. Parameter queries are always returned the numeric value 0 or 1.

<numeric\_value>  
<num>

These indications mark parameters which may be entered as numeric values or be set using specific keywords (character data).

The keywords given below are permitted:

MINimum This keyword sets the parameter to the smallest possible value.

MAXimum This keyword sets the parameter to the largest possible value.

DEFault This keyword is used to reset the parameter to its default value.

UP This keyword increments the parameter value.

DOWN This keyword decrements the parameter.

The numeric values associated to MAXimum/MINimum/DEFault can be queried by adding the corresponding keywords to the command. They must be entered following the quotation mark.

Example:SENSe:FREQuency:CENTer? MAXimum

returns the maximum possible numeric value of the center frequency as result.

<arbitrary block program data>

This keyword is provided for commands the parameters of which consist of a binary data block.

## Common Commands

The common commands are taken from the IEEE 488.2 (IEC 625-2) standard. Some commands have the same effect on different devices. The headers of these commands consist of an asterisk "\*" followed by three letters. Many common commands refer to the status reporting system which is described in detail in Chapter 5.

Command	Designation	Parameter	Remark
*CAL?	Calibration Query		query only
*CLS	Clear Status		no query
*ESE	Event Status Enable	0 to 255	
*ESR?	Standard Event Status Query	0 to 255	query only
*IDN?	Identification Query	<string>	query only
*IST?	Individual Status Query	0 to 255	query only
*OPC	Operation Complete		
*OPT?	Option Identification Query		query only
*PCB	Pass Control Back	0 to 30	no query
*PRE	Parallel Poll Register Enable	0 to 255	
*PSC	Power On Status Clear	0   1	
*RST	Reset		no query
*SRE	Service Request Enable	0 to 255	
*STB?	Status Byte Query		query only
*TRG	Trigger		no query
*TST?	Self Test Query		query only
*WAI	Wait to continue		no query

### \*CAL?

**CALIBRATION QUERY** triggers a calibration of the instrument and subsequently query the calibration status. Any responses > 0 indicate errors.

### \*CLS

**CLEAR STATUS** sets the status byte (STB), the standard event register (ESR) and the EVENT-part of the QUESTIONable and the OPERATION register to zero. The command does not alter the mask and transition parts of the registers. It clears the output buffer.

**\*ESE 0 to 255**

**EVENT STATUS ENABLE** sets the event status enable register to the value indicated. Query \*ESE? returns the contents of the event status enable register in decimal form.

**\*ESR?**

**STANDARD EVENT STATUS QUERY** returns the contents of the event status register in decimal form (0 to 255) and subsequently sets the register to zero.

**\*IDN?**

**IDENTIFICATION QUERY** queries the instrument identification.

The instrument identification consists of the following elements which are separated by commas:

Manufacturer

Device (analyzer model)

Serial number of the instrument

Firmware version number

Example: "Rohde&Schwarz, FSEA30, 825082/007, 1.67"

**\*IST?**

**INDIVIDUAL STATUS QUERY** returns the contents of the IST flag in decimal form (0 | 1). The IST flag is the status bit which is sent during a parallel poll (cf. Chapter 5).

**\*OPC**

**OPERATION COMPLETE** sets bit 0 in the event status register when all preceding commands have been executed. This bit can be used to initiate a service request (cf. Chapter 5).

**\*OPC?**

**OPERATION COMPLETE QUERY** writes message "1" into the output buffer as soon as all preceding commands have been executed (cf. Chapter 5).

**\*OPT?**

**OPTION IDENTIFICATION QUERY** queries the options included in the instrument and returns a list of the options installed. The options are separated from each other by means of commas.

Position	Option	
1	FSE-B3	TV Demodulator
2	FSE-B4	Low Phase Noise & OCXO
3	FSE-B5	FFT-Filter
4		reserved
5	FSE-B7	Vector Signal Analysis
6	FSE-B8	Tracking Generator 3.5 GHz
7	FSE-B9	Tracking Generator 3.5 GHz with I/Q modulator
8	FSE-B10	Tracking Generator 7 GHz
9	FSE-B11	Tracking Generator 7 GHz with I/Q modulator
10	FSE-B12	Output Attenuator for Tracking Generator
11	FSE-B13	1-dB Attenuator
12		reserved
13	FSE-B15	controller option
14 to 18		reserved
19	FSE-B21	External Mixer Output
20 to 21		reserved
22	FSE-B24	Frequency Extension to 44GHz
24 to 25		reserved
26	FSE-K10	GSM Test Software, Mobile
27	FSE-K11	GSM Test Software, Base Station
29	FSE-K20	GSM Test Software, Edge Mobile
30	FSE-K21	GSM Test Software, EDGE Base Station
31	FSE-K30	GSM Test Software, 850 GHz band Mobile
31	FSE-K31	GSM Test Software, 850 GHz band Base Station

Example: 0, FSE-B4, 0, 0, FSE-B7, 0, 0, 0, FSE-B11, FSE-B12, 0, 0, 0, 0, 0, 0, 0, 0, 0, 0, 0, 0, 0, 0, 0, ...

**\*PCB 0 to 30**

**PASS CONTROL BACK** indicates the controller address which the IEC-bus control is to be returned to after termination of the triggered action.

**\*PRE 0 to 255**

**PARALLEL POLL REGISTER ENABLE** sets parallel poll enable register to the value indicated. Query \*PRE? returns the contents of the parallel poll enable register in decimal form.

**\*PSC 0 | 1**

**POWER ON STATUS CLEAR** determines whether the contents of the ENABLE registers is maintained or reset in switching on.

\*PSC = 0 causes the contents of the status registers to be maintained. Thus a service request can be triggered in switching on in the case of a corresponding configuration of status registers ESE and SRE.

\*PSC  $\neq$  0 resets the registers.

Query \*PSC? reads out the contents of the power-on-status-clear flag. The response can be 0 or 1.

**\*RST**

**RESET** sets the instrument to a defined default status. The command essentially corresponds to pressing the [PRESET] key. The default setting is indicated in the description of the commands.

**\*SRE 0 to 255**

**SERVICE REQUEST ENABLE** sets the service request enable register to the value indicated. Bit 6 (MSS mask bit) remains 0. This command determines under which conditions a service request is triggered. Query \*SRE? reads the contents of the service request enable register in decimal form. Bit 6 is always 0.

**\*STB?**

**READ STATUS BYTE QUERY** reads out the contents of the status byte in decimal form.

**\*TRG**

**TRIGGER** triggers a measurement. This command corresponds to `INITiate:IMMediate` (cf. Section "TRIGger subsystem", as well).

**\*TST?**

**SELF TEST QUERY** triggers all selftests of the instrument and outputs an error code in decimal form.

**\*WAI**

**WAIT-to-CONTINUE** only permits the servicing of the subsequent commands after all preceding commands have been executed and all signals have settled (cf. Chapter 5 and "\*\*OPC" as well).

## ABORt Subsystem

The ABORt subsystem contains the commands for aborting triggered actions. An action can be triggered again immediately after being aborted. All commands trigger events which is why they are not assigned any \*RST value.

COMMAND	PARAMETERS	UNIT	COMMENT
ABORt	--	--	no query

### :ABORt

This command aborts a current measurement and resets the trigger system.

**Example:** "ABOR ; INIT : IMM "

**Features:** \*RST value: 0  
 SCPI: conforming

**Modes:** A, VA, BTS, MS

## CALCulate Subsystem

The CALCulate subsystem contains commands for converting instrument data, transforming and carrying out corrections. These functions are carried out subsequent to data acquisition, i.e., following the SENSE subsystem.

In the split-screen representation, a distinction is made between CALCulate1 and CALCulate2:

CALCulate1  $\triangleq$  screen A;

CALCulate2  $\triangleq$  screen B

For setting REAL/IMAG PART in Vector Analyzer mode a distinction is also made between CALCulate3 and CALCulate4 in the split-screen representation:

CALCulate3  $\triangleq$  screen C;

CALCulate4  $\triangleq$  screen D

## CALCulate:DELTamarker Subsystem

The CALCulate:DELTamarker subsystem checks the delta-marker functions in the instrument.

COMMAND	PARAMETERS	UNIT	COMMENT
CALCulate<1 2>			
:DELTamarker<1 to 4>			
[:STATe]	<Boolean>	--	
:MODE	ABSolute RELative		
:AOff			no query
:TRACe	<numeric_value>	--	
:X	<numeric_value>	HZ   S   SYM	
:RELative?	--	--	query only
:Y?	--	--	query only
:MAXimum			
[:PEAK]	--	--	no query
:APEak	--	--	no query (vector signal analysis)
:NEXT	--	--	no query
:RIGHT	--	--	no query
:LEFT	--	--	no query
:MINimum			
[:PEAK]	--	--	no query
:NEXT	--	--	no query
:RIGHT	--	--	no query
:LEFT	--	--	no query
:FUNcTION			
:FIXed			
[:STATe]	<Boolean>		
:RPOint			
:Y	<numeric_value>	DBM	
:OFFSet	<numeric_value>	DB	
:X	<numeric_value>	HZ   S   SYM	
:PNOise			
[:STATe]	<Boolean>		
:RESult?	--	--	query only
:STEP			
[:INCRement]	<numeric_value>	HZ   S   SYM	
:AUTO	<Boolean>	--	

### :CALCulate<1|2>:DELTamarker<1 to 4>[:STATe] ON | OFF

This command switches on or off the selected delta marker. If no indication is made, delta marker 1 is selected automatically.

**Example:** " :CALC:DELT3 ON"

**Features:** \*RST value: OFF  
 SCPI: device-specific

**Modes:** A, VA, BTS, MS

**:CALCulate<1|2>:DELTamarker<1 to 4>:MODE ABSolute | RELative**

This command switches over between relative and absolute input of frequency of the delta marker.

**Example:** " :CALC:DELT:MODE ABS "

**Features:** \*RST value: REL  
SCPI: device-specific

**Modes:** A, VA, BTS, MS

In the RELative mode, the frequency of the delta marker is programmed relative to the reference marker. In the ABSolute mode, the frequency is defined by the absolute values.

**:CALCulate<1|2>:DELTamarker<1 to 4>:AOFF**

This command switches off all active delta markers.

**Example:** " :CALC:DELT:AOFF "

**Features:** \*RST value: -  
SCPI: device-specific

**Modes:** A, VA, BTS, MS

**:CALCulate<1|2>:DELTamarker<1 to 4>:TRACe 1 to 4**

This command assigns the selected delta marker to the indicated measuring curve.

**Example:** " :CALC:DELT3:TRAC 2 "

**Features:** \*RST value: -  
SCPI: device-specific

**Modes:** A, VA, BTS, MS

**:CALCulate<1|2>:DELTamarker<1 to 4>:X 0 to MAX (frequency | sweep time | symbols)**

This command positions the selected delta marker to the indicated frequency (span > 0) or time (span = 0). The query always returns the absolute value of frequency or time.

**Example:** " :CALC:DELT:X 10.7MHz "

**Features:** \*RST value: -  
SCPI: device-specific

**Modes:** A, VA, BTS, MS

The SYM unit is only valid in Vector Signal Analysis mode.

**:CALCulate<1|2>:DELTamarker<1 to 4>:X:RELative?**

This command queries the frequency (span > 0) or time (span = 0) of the selected delta marker relative to the reference marker.

**Example:** " :CALC:DELT:X:REL? "

**Features:** \*RST value: -  
SCPI: device-specific

**Modes:** A, VA, BTS, MS

**:CALCulate<1|2>:DELTamarker<1 to 4>:Y?**

This command queries the value of the selected marker.

**Example:** " : CALC : DELT : Y ? "

**Features:** \*RST value: -  
SCPI: device-specific

**Modes:** A, VA, BTS, MS

In complex presentations (vector signal analysis - polar diagrams), the real and the imaginary component as well as magnitude and phase are output separated by a comma.

**:CALCulate<1|2>:DELTamarker<1 to 4>:MAXimum[:PEAK]**

This command positions the delta marker to the current maximum value in the trace memory.

**Example:** " : CALC : DELT : MAX "

**Features:** \*RST value: -  
SCPI: device-specific

**Modes:** A, VA, BTS, MS

This command is an event which is why it is not assigned an \*RST value and has no query.

**:CALCulate<1|2>:DELTamarker<1 to 4>:MAXimum:APEak**

This command positions the delta marker to the maximum absolute value of the trace.

**Example:** " : CALC : DELT : MAX : APE "

**Features:** \*RST value: -  
SCPI: device-specific

**Modes:** VA

This command is an event which is why it is not assigned an \*RST value and has no query.

**:CALCulate<1|2>:DELTamarker<1 to 4>:MAXimum:NEXT**

This command positions the delta marker to the next smaller maximum value in the trace memory.

**Example:** " : CALC : DELT : MAX : NEXT "

**Features:** \*RST value: -  
SCPI: device-specific

**Modes:** A, BTS, MS

This command is an event which is why it is not assigned an \*RST value and has no query.

**:CALCulate<1|2>:DELTamarker<1 to 4>:MAXimum:RIGHT**

This command positions the delta marker to the next smaller maximum value to the right of the current value (i.e., in ascending X direction) in the trace memory.

**Example:** " : CALC : DELT : MAX : RIGH "

**Features:** \*RST value: -  
SCPI: device-specific

**Modes:** A, BTS, MS

This command is an event which is why it is not assigned an \*RST value and has no query.

**:CALCulate<1|2>:DELTamarker<1 to 4>:MAXimum:LEFT**

This command positions the delta marker to the next smaller maximum value to the left of the current value (i.e., in descending X direction) in the trace memory.

**Example:** " : CALC : DELT : MAX : LEFT "

**Features:** \*RST value: -  
SCPI: device-specific

**Modes:** A, BTS, MS

**Modes:** R, A

This command is an event which is why it is not assigned an \*RST value and has no query.

**:CALCulate<1|2>:DELTamarker<1 to 4>:MINimum[:PEAK]**

This command positions the delta marker to the current minimum value in the trace memory.

**Example:** " : CALC : DELT : MIN "

**Features:** \*RST value: -  
SCPI: device-specific

**Modes:** A, VA, BTS, MS

This command is an event which is why it is not assigned an \*RST value and has no query.

**:CALCulate<1|2>:DELTamarker<1 to 4>:MINimum:NEXT**

This command positions the delta marker to the next higher minimum value in the trace memory.

**Example:** " : CALC : DELT : MIN : NEXT "

**Features:** \*RST value: -  
SCPI: device-specific

**Modes:** A, BTS, MS

This command is an event which is why it is not assigned an \*RST value and has no query.

**:CALCulate<1|2>:DELTamarker<1 to 4>:MINimum:RIGHT**

This command positions the delta marker to the next higher minimum value to the right of the current value (ie in ascending X direction).

**Example:** " : CALC : DELT : MIN : RIGH "

**Features:** \*RST value: -  
SCPI: device-specific

**Modes:** A, BTS, MS

This command is an event which is why it is not assigned an \*RST value and has no query.

**:CALCulate<1|2>:DELTamarker<1 to 4>:MINimum:LEFT**

This command positions the delta marker to the next higher minimum value to the left of the current value (ie in descending X direction).

**Example:** " : CALC : DELT : MIN : LEFT "

**Features:** \*RST value: -  
SCPI: device-specific

**Modes:** A, BTS, MS

This command is an event which is why it is not assigned an \*RST value and has no query.

**:CALCulate<1|2>:DELTamarker<1 to 4>:FUNCTION:FIXed[:STATe] ON | OFF**

This command switches the relative measurement to a fixed reference value on or off.

**Example:** " :CALC:DELT:FUNC:FIX ON"

**Features:** \*RST value: OFF  
SCPI: device-specific.

**Modes:** A, VA-D, BTS, MS

The reference value is independent of the current trace.

**:CALCulate<1|2>:DELTamarker<1 to 4>:FUNCTION:FIXed:RPOint:Y <numeric\_value>**

This command defines a new fixed reference value for the relative measurement.

**Example:** " :CALC:DELT:FUNC:FIX:RPO:Y -10dBm"

**Features:** \*RST value: - (FUNCTION:FIXed[:STATe] is set to OFF)  
SCPI: device-specific

**Modes:** A, VA

The reference value is independent of the current trace.

**:CALCulate<1|2>:DELTamarker<1 to 4>:FUNCTION:FIXed:RPOint:Y:OFFSet <numeric\_value>**

This command defines an additional level offset for the relative measurement.

**Example:** " :CALC:DELT:FUNC:FIX:RPO:Y:OFFS 10dB"

**Features:** \*RST value: 0 dB  
SCPI: device-specific

**Modes:** A, VA

The level offset is included in the output of the level value.

**:CALCulate<1|2>:DELTamarker<1 to 4>:FUNCTION:FIXed:RPOint:X <numeric\_value>**

This command defines the new fixed reference frequency, time or symbols for the relative measurement.

**Example:** " :CALC:DELT:FUNC:FIX:RPO:X 10.7MHz"

**Features:** \*RST value: - (FUNCTION:FIXed[:STATe] is set to OFF)  
SCPI: device-specific

**Mode:** A

The reference value is independent of the current trace. With span = 0, the reference time, otherwise the reference frequency is defined.

**:CALCulate<1|2>:DELTamarker<1 to 4>:FUNCTION:PNOise[:STATe] ON | OFF**

This command switches the measurement of the phase noise on or off.

**Example:** " :CALC:DELT:FUNC:PNO ON"

**Features:** \*RST value: OFF  
SCPI: device-specific

**Mode:** A

When the phase noise is measured, the correction values for the bandwidth and the log amplifier are automatically considered. The measurement uses the reference values defined by  
FUNCTION:FIXed:RPOint:X or :Y.

**:CALCulate<1|2>:DELTamarker<1 to 4>:FUNCTION:PNOise:RESult?**

This command queries the result of the phase noise measurement.

**Example:** " :CALC:DELT:FUNC:PNO:RES? "

**Features:** \*RST value: -  
SCPI: device-specific

**Modes:** A, BTS, MS

This command is only a query which is why it is not assigned an \*RST value.

**:CALCulate<1|2>:DELTamarker<1 to 4>:STEP[:INCRement] <numeric\_value>**

This command defines the delta marker step width.

**Example:** " :CALC:DELT:STEP 10kHz " (frequency domain)  
" :CALC:DELT:STEP 5ms " (time domain)

**Features:** \*RST value: - (STEP is set to AUTO)  
SCPI: device-specific

**Mode:** A

**:CALCulate<1|2>:DELTamarker<1 to 4>:STEP:AUTO ON | OFF**

This command switches the automatic adaptation of the marker step width on or off.

**Example:** " :CALC:DELT:STEP:AUTO OFF "

**Features:** \*RST value: ON  
SCPI: device-specific

**Mode:** A

With AUTO ON, the step width is 10% of the span.

## CALCulate:DLINe Subsystem

The CALCulate:DLINe subsystem checks the display lines in the instrument, i.e., the level, frequency and time lines (depending on the X-axis) as well as threshold and reference lines.

COMMAND	PARAMETERS	UNIT	COMMENT
CALCulate<1 2> :DLINe<1 2>	<numeric_value>	DBM   DB   DEG   RAD   S   HZ   PCT	
:STATe	<Boolean>		
:THReshold	<numeric_value>	DBM   DB   DEG   RAD   S   HZ   PCT	
:STATe	<Boolean>		
:CTHReshold	<numeric_value>	DBM   DB   DEG   RAD   S   HZ   PCT	
:STATe	<Boolean>		
:RLINe	<numeric_value>	DBM   DB   DEG   RAD   S   HZ   PCT	
:STATe	<Boolean>		
:FLINe<1 2>	<numeric_value>	HZ	
:STATe	<Boolean>		
:TLINe<1 2>	<numeric_value>	S   SYM	
:STATe	<Boolean>		

**:CALCulate<1|2>:DLINe<1|2>** MINimum to MAXimum (depending on current unit)

This command defines the position of the display line.

**Example:** " :CALC:DLIN -20dBm "

**Features:** \*RST value: - (STATe to OFF)  
SCPI: device-specific

**Modes:** A, VA, BTS, MS

The display lines mark the given level in the display. The units DEG, RAD, S, and HZ are only valid in conjunction with option Vector Signal Analysis, FSE-B7.

**:CALCulate<1|2>:DLINe<1|2>:STATe** ON | OFF

This command switches the display line on or off.

**Example:** " :CALC:DLIN2:STAT OFF "

**Features:** \*RST value: OFF  
SCPI: device-specific

**Modes:** A, VA, BTS, MS

**:CALCulate<1|2>:THReshold** MINimum to MAXimum (depending on current unit)

This command defines the position of the thresholds.

**Example:** " :CALC:THR -82dBm"  
**Features:** \*RST value: - (STATe to OFF)  
 SCPI: device-specific  
**Modes:** A, VA, BTS, MS

For marker scan functions MAX PEAK, NEXT PEAK etc., the threshold serves as the lowest limit for maximum or minimum search. The units DEG, RAD, S, and HZ are only valid in conjunction with option Vector Signal Analysis, FSE-B7.

**:CALCulate<1|2>:THReshold:STATe** ON | OFF

This command switches the threshold on or off.

**Example:** " :CALC:THR:STAT ON"  
**Features:** \*RST value: OFF  
 SCPI: device-specific  
**Modes:** A, VA, BTS, MS

**:CALCulate<1|2>:CTHReshold** MINimum to MAXimum (depending on the current unit)

This command defines the position of a threshold line (base line), below which all measured values are cleared.

**Example:** " :CALC:CTHR -82dBm"  
**Features:** \*RST value: - (STATe to OFF)  
 SCPI: device-specific  
**Mode:** A, VA, BTS, MS

The units DEG, RAD, S, and HZ are only valid in conjunction with option Vector Signal Analysis, FSE-B7.

**:CALCulate<1|2>:CTHReshold:STATe** ON | OFF

This command is for switching on or off the threshold line (base line), below which all measured values are cleared.

**Example:** " :CALC:CTHR:STAT ON"  
**Features:** \*RST value: OFF  
 SCPI: device-specific  
**Mode:** A, VA, BTS, MS

**:CALCulate<1|2>:RLINE** MINimum to MAXimum (depending on the current unit)

This command defines the position of the reference line.

**Example:** " :CALC:RLIN -10dBm"  
**Features:** \*RST value: - (STATe to OFF)  
 SCPI: device-specific  
**Modes:** A, VA, BTS, MS

The reference line serves as a reference for the arithmetic operation of traces. The units DEG, RAD, S, and HZ are only valid in conjunction with option Vector Signal Analysis, FSE-B7.

**:CALCulate<1|2>:RLINe:STATe** ON | OFF

This command switches the reference line on or off.

**Example:** " :CALC:RLIN:STAT ON "

**Features:** \*RST value: OFF  
SCPI: device-specific

**Modes:** A, VA, BTS, MS

**:CALCulate<1|2>:FLINe<1|2>** 0 GHz to  $f_{\max}$ 

This command defines the position of the frequency lines.

**Example:** " :CALC:FLIN2 120MHz "

**Features:** \*RST value: - (STATe to OFF)  
SCPI: device-specific

**Modes:** A-F, VA, BTS, MS

The frequency lines mark the given frequencies in the display. Frequency lines are only valid for a SPAN >0.

**:CALCulate<1|2>:FLINe<1|2>:STATe** ON | OFF

This command switches the frequency line on or off.

**Example:** " :CALC:FLIN2:STAT ON "

**Features:** \*RST value: OFF  
SCPI: device-specific

**Modes:** A-F, VA, BTS, MS

**:CALCulate<1|2>:TLINe<1|2>** 0 to 1000s

This command defines the position of the time lines.

**Example:** " :CALC:TLIN 10ms "

**Features:** \*RST value: - (STATe to OFF)  
SCPI: device-specific

**Modes:** A-Z, VA, BTS, MS

The time lines mark the given times in the display. Time lines are only valid for a SPAN = 0.

**:CALCulate<1|2>:TLINe<1|2>:STATe** ON | OFF

This command switches the time line on or off.

**Example:** " :CALC:TLIN2:STAT ON "

**Features:** \*RST value: OFF  
SCPI: device-specific

**Modes:** A-Z, VA, BTS, MS

## CALCulate:FEED Subsystem

The CALCulate:FEED subsystem selects the measured data in operating mode vector signal analysis. This subsystem is only valid in connection with option FSE-B7, Vector Signal Analysis.

COMMAND	PARAMETERS	UNIT	COMMENT
CALCulate<1 2> :FEED	<string>		Vector Signal Analysis/ no query

**:CALCulate<1|2>:FEED <string>**

This command selects the measured data that are to be displayed.

**Parameter:** <string> ::= 'XTIM:DDEM:MEAS' |  
'XTIM:DDEM:REF' |  
'XTIM:DDEM:ERR:MPH' |  
'XTIM:DDEM:ERR:VECT' |  
'XTIM:DDEM:SYMB' |  
'XTIM:AM' |  
'XTIM:FM' |  
'XTIM:PM' |  
'XTIM:AMSummary' |  
'XTIM:FMSummary' |  
'XTIM:PMSummary' |  
'TCAP'

**Features:** \*RST value: 'XTIM:DDEM:MEAS'  
SCPI: conforming

**Mode:** VA

The string parameters have the following meaning:

'XTIM:DDEM:MEAS'	Test signal (filtered, synchronized to symbol clock)
'XTIM:DDEM:REF'	Reference signal (internally generated from demodulated test signal)
'XTIM:DDEM:ERR:MPH'	Error signal (magnitude and phase error)
'XTIM:DDEM:ERR:VECT'	Vector error signal
'XTIM:DDEM:SYMB'	Symbol table (demodulated bits and table with modulation errors)
'XTIM:AM'	Demodulated AM signal (analog demodulation)
'XTIM:FM'	Demodulated FM signal (analog demodulation)
'XTIM:PM'	Demodulated PM signal (analog demodulation)
'XTIM:AMSummary'	AM-Summary Marker (analog demodulation)
'XTIM:FMSummary'	FM-Summary Marker (analog demodulation)
'XTIM:PMSummary'	PM-Summary Marker (analog demodulation)
'TCAP'	Test signal in capture buffer

## CALCulate:FORMat and CALCulate:FSK Subsystems

The CALCulate:FORMat and CALCulate:FSK subsystems determine further processing and conversion of measured data in operating mode vector signal analysis.

This sub system is only valid in connection with option FSE-B7, Vector Signal Analysis.

COMMAND	PARAMETERS	UNIT	COMMENT
CALCulate<1 2> :FORMat	MAGNitude   PHASe   UPHase   RIMag   FREQuency   IEYE   QEYE   TEYE   FEYE   COMP   CONS		Vector Signal Analysis
:FSK :DEViation :REFerence	<numeric_value>	HZ	Vector Signal Analysis

**:CALCulate<1|2>:FORMat** MAGNitude | PHASe | UPHase | RIMag | FREQuency | IEYE | QEYE |  
TEYE | FEYE | COMP | CONS

This command defines the display of the traces.

**Example:** " :CALC:FORM CONS "

**Features:** \*RST value: MAGNitude  
SCPI: conforming

**Mode:** VA-D

The availability of the parameters depends on the selected data (see command :CALCulate:FEED).

Available for selection measurement signal, reference signal and modulation error  
(CALCulate:FEED `XTIM:DDEM:MEAS`, `XTIM:DDEM:REF`, `XTIM:DDEM:ERR:MPH`):

**MAGNitude** Display of the magnitude in the time domain (only available for settings :CALCulate:FEED `XTIM:DDEM:ERR:MPH` (error signal) or `XTIM:DDEM:MEAS` (measurement signal) or `XTIM:DDEM:REF` (reference signal)

**PHASe | UPHase** Display of the phase in the time domain with or without ("unwrapped") limitation to  $\pm 180^\circ$

**RIMag** Display of the time characteristic of inphase and quadrature component

**FREQuency** Display of the frequency response in the time domain

**COMP** Display of the polar vector diagram (complex)

**CONS** Display of the polar vector diagram (constellation)

Available for selection measurement signal and reference signal (CALCulate:FEED `XTIM:DDEM:MEAS`, `XTIM:DDEM:REF`):

**IEYE | QEYE** Eye diagram of the inphase or quadrature component

**TEYE** Display of the trellis diagram

**FEYE** Eye diagram of FSK modulation

**:CALCulate<1|2>:FSK:DEViation:REFerence <numeric\_value>**

This command defines the reference value of the frequency deviation for FSK modulation.

**Example:** " :CALC:FSK:DEV:REF 20kHz "

**Features:** \*RST value: -  
SCPI: device-specific

**Mode:** VA-D

## CALCulate:LIMit Subsystem

The CALCulate:LIMit subsystem comprises the limit lines and the corresponding limit checks. Limit lines can be defined as upper and lower limit lines. The individual values of the limit lines correspond to the values of the X-axis (CONTRol) which have to have the same number.

COMMAND	PARAMETERS	UNIT	COMMENT
CALCulate<1 2>			
:LIMit<1 to 8>			Query only
:ACTive?	<numeric_value>		
:TRACe	<Boolean>	--	
:STATe	DBM   DBPW   DBPT   WATT   DBUV   DBMV   VOLT   DBUA   AMPere   DB   DBUV_MHZ   DBMV_MHZ   DBUA_MHZ   DBUV_M   DBUA_M   DBUV_MMHZ   DBUA_MMHZ   DEG   RAD   S   HZ   PCT   UNITLESS		
:UNIT			
CATalog?			Query only
:CONTRol	<numeric_value>,<numeric_value>..	HZ   S   SYM	
[:DATA]	FREQuency   TIME		
:DOMain	<numeric_value>	HZ   S   SYM	
:OFFSet	RELative   ABSolute		
:MODE			
:UNIT	S   SYM		
[:TIME]	<numeric_value>	HZ   S   SYM	Vector Signal Analysis
:SHIFt	LINear   LOGarithmic		
:SPACing			
:UPPer	<numeric_value>,<numeric_value>..	DBM   DB   DEG   RAD   S   HZ   PCT	
[:DATA]	<Boolean>	--	
:STATe	<numeric_value>	DB   DEG   RAD   S   HZ   PCT	
:OFFSet	<numeric_value>	DB   DEG   RAD   S   HZ   PCT	
:MARGin	RELative   ABSolute	--	
:MODE	<numeric_value>	DB   DEG   RAD   S   HZ   PCT	
:SHIFt	LINear   LOGarithmic		
:SPACing			
:LOWer	<numeric_value>,<numeric_value>..	DBM   DB   DEG   RAD   S   HZ   PCT	
[:DATA]	<Boolean>	--	
:STATe	<numeric_value>	DB   DEG   RAD   S   HZ   PCT	
:OFFSet	<numeric_value>	DB   DEG   RAD   S   HZ   PCT	
:MARGin	RELative   ABSolute	--	
:MODE	<numeric_value>	DB   DEG   RAD   S   HZ   PCT	
:SHIFt	LINear   LOGarithmic		
:SPACing			
:FAIL?		--	query only
:CLEar	--	--	
[:IMMEDIATE]			no query

COMMAND	PARAMETERS	UNIT	COMMENT
CALCulate<1 2> :LIMit<1 to 8> :COMMeNt :COpy :NAme :DELete :BURSt :PTeMplate? :POWeR? :PFERror? :MAccuracy? :SPEctrum :MODulation? :FAILs? :EXceptions? :SWITChing? :FAILs? :SPURious? :FAILs? :MARGin :ACPower [:STATe] :ACHannel :STATe :RESult? :ALTeRNate<1 2> :STATe :RESult?	<string> 1 to 8   < name> <string> -- -- -- -- -- ARFCn   TXBand   RXBand   COMBined   DCSRx1800 ARFCn   TXBand   RXBand   COMBined   DCSRx1800 ARFCn   TXBand   RXBand   COMBined   DCSRx1800 -- TXBand   OTXBand   RXBand   IDLeband TXBand   OTXBand   RXBand   IDLeband <numeric_value> <Boolean> <numeric_value>, <numeric_value> <Boolean> -- <numeric_value>, <numeric_value> <Boolean> --	DB DB; DB DB; DB	Option FSE-K11 or FSE-K10 query only query only query only query only, option FSE-K20/K21 Option FSE-K11 or FSE-K10 query only query only query only query only; Option FSE-K11 or FSE-K10 query only query only; Option FSE-K11 or FSE-K10 query only query only

**:CALCulate<1|2>:LIMit<1 to 8>:ACTive?**

This command queries the names of all activated limit lines. The names are output in alphabetical order. If no limit line is activated, an empty string will be output. The numeric suffixes in CALCulate<1|2> and LIMit<1 to 8> are not significant.

**Example:** " :CALC:LIM:ACT?"

**Features:** \*RST value: -  
SCPI: device-specific

**Mode:** A, VA, BTS, MS

**:CALCulate<1|2>:LIMit<1 to 8>:TRACe 1 to 4**

This command assigns a trace to a limit line.

**Example:** " :CALC:LIM2:TRAC 2"

**Features:** \*RST value: 1  
SCPI: device-specific

**Modes:** A, VA, BTS, MS

**:CALCulate<1|2>:LIMit<1 to 8>:STATe ON | OFF**

This command switches the limit check for the selected limit line on or off. With limit check switched off, the limit line is disabled.

**Example:** " :CALC:LIM:STAT ON"

**Features:** \*RST value: OFF  
SCPI: conforming

**Modes:** A, VA, BTS, MS

The result of the limit check can be queried with CALCulate:LIMit:FAIL?.

**:CALCulate<1|2>:LIMit<1 to 8>:UNIT** DBM | DBPW | DBPT | WATT | DBUV | DBMV | VOLT | DBUA  
| AMPere | DB | DBUV\_MHZ | DBMV\_MHZ | DBUA\_MHZ |  
DBUV\_M | DBUA\_M | DBUV\_MMHZ | DBUA\_MMHZ |  
UNITLESS|

This command defines the unit of the selected limit line.

**Example:** " :CALC:LIM:UNIT DBUV"

**Features:** \*RST value: DBM  
SCPI: device-specific

**Modes:** A, VA, BTS, MS

DBUV\_MHZ and DBUA\_MHZ denote the units DBUV/MHZ or DBUA/MHZ.

Upon selection of the unit DB the limit line is automatically switched to the relative mode. For units different from DB the limit line is automatically switched to the absolute mode.

The units DEG, RAD, S, HZ are available in the vector analysis mode only.

**:CALCulate<1|2>:LIMit:CATalog?**

This command reads out the names of all limit lines stored on the harddisk.

Syntax of output format:

<Sum of file lengths of all subsequent files>,<free memory on hard disk>,  
<1st file name>,,<1st file length>,<2nd file name>,,<2nd file length>,....,<nth file name>,  
<nth file length>

**Example:** " :CALC:LIM:CAT?"

**Feature:** \*RST value: -  
SCPI: device-specific

**Mode:** A, VA, BTS, MS

**:CALCulate<1|2>:LIMit<1 to 8>:CONTrol[:DATA] <numeric\_value>,<numeric\_value>..**

This command defines the X-axis values (frequencies or times) of the upper or lower limit lines.

**Example:** " :CALC:LIM:CONT 1MHz , 30MHz , 300MHz , 1GHz "

**Features:** \*RST value: - (LIMit:STATe is set to OFF)  
SCPI: conforming

**Modes:** A, VA, BTS, MS

The number of values for the CONTrol axis and the corresponding UPPer- and/or LOWER limit lines have to be identical. Available units are HZ | S | SYM, SYM only for vector signal analyzer mode.

**:CALCulate<1|2>:LIMit<1 to 8>:CONTrol:DOMain** FREQUency | TIME

This command defines the X-axis in the frequency or time domain.

**Example:** " :CALC:LIM:CONT:DOM TIME "

**Features:** \*RST value: FREQUency  
SCPI: device-specific

**Modes:** A, VA, BTS, MS

**:CALCulate<1|2>:LIMit<1 to 8>:CONTrol:OFFSet** <numeric\_value>

This command defines an offset for the X-axis value of the selected relative limit line in the frequency or time domain.

**Example:** " :CALC:LIM:CONT:OFFS 100us "

**Features:** \*RST value: 0  
SCPI: device-specific

**Modes:** A, VA

**:CALCulate<1|2>:LIMit<1 to 8>:CONTrol:MODE** RELative | ABSolute

This command selects the relative or absolute scaling for the X-axis of the selected limit line.

**Example:** " :CALC:LIM:CONT:MODE REL "

**Features:** \*RST value: ABSolute  
SCPI: device-specific

**Modes:** A, VA, BTS, MS

Upon selection of RELative, the unit is switched to DB.

**:CALCulate<1|2>:LIMit<1 to 8>:CONTrol:UNIT[:TIME]** S | SYM

This command defines the unit of the x-axis scaling of limit lines.

**Example:** " :CALC:LIM:CONT:UNIT SYM "

**Features:** \*RST value: S  
SCPI: device-specific

**Mode:** VA

**:CALCulate<1|2>:LIMit<1 to 8>:CONTrol:SHIFt** <numeric\_value>

This command shifts a limit line which has been specified for relative frequencies or times (X-axis).

**Example:** " :CALC:LIM:CONT:SHIF 50kHz "

**Features:** \*RST value: --  
SCPI: device-specific

**Modes:** A, VA, BTS, MS

This command is an event which is why it is not assigned an \*RST value and has no query.

**:CALCulate<1|2>:LIMit<1 to 8>:CONTrol:SPACing LINear | LOGarithmic**

This command makes a selection between linear and logarithmic interpolation for determining the limit line from the frequency points.

**Example:** " :CALC:LIM:CONT:SPAC LIN "

**Features:** \*RST value: LIN  
SCPI: device-specific

**Modes:** A, VA, BTS, MS

**:CALCulate<1|2>:LIMit<1 to 8>:UPPer[:DATA] <numeric\_value>,<numeric\_value>..**

This command defines the values for the upper limit lines.

**Example:** " :CALC:LIM:UPP -10,0,0,-10 "

**Features:** \*RST value: - (LIMit:STATe is set to OFF)  
SCPI: conforming

**Modes:** A, VA, BTS, MS

The number of values for the CONTrol axis and the corresponding UPPer limit line have to be identical. The unit must be identical with the unit selected by command CALC:LIM:UNIT.

If the measured values exceed the UPPer limit line, the limit check signals errors.

The unit must be identical with the unit selected by CALC:LIM:UNIT.

The units DEG, RAD, S, and HZ are available in the vector signal analysis mode only.

**:CALCulate<1|2>:LIMit<1 to 8>:UPPer:STATe ON | OFF**

This command defines the selected limit line as upper limit line.

**Example:** " :CALC:LIM:UPPer:STAT ON "

**Features:** \*RST value: OFF  
SCPI: conforming

**Modes:** A, VA, BTS, MS

The limit check is switched on with command CALCulate:LIMit:STATe ON. The result of the limit check can be queried with CALCulate:LIMit<1 to 8>:FAIL?.

**:CALCulate<1|2>:LIMit<1 to 8>:UPPer:OFFSet <numeric\_value>**

This command defines an offset for the Y-axis of the selected relative upper limit line.

**Example:** " :CALC:LIM:UPP:OFFS 3dB "

**Features:** \*RST value: 0  
SCPI: device-specific

**Modes:** A, VA

**:CALCulate<1|2>:LIMit<1 to 8>:UPPer:MARGin <numeric\_value>**

This command defines the margin of the selected upper limit line.

**Example:** " :CALC:LIM:UPP:MARG 10dB "

**Features:** \*RST value: 0  
SCPI: device-specific

**Modes:** A, VA, BTS, MS

**:CALCulate<1|2>:LIMit<1 to 8>:UPPer:MODE** RELative | ABSolute

This command selects the relative or absolute scaling for the Y-axis of the selected upper limit line.

**Example:**           ":CALC:LIM:UPP:MODE REL"

**Features:**        \*RST value:   ABSolute  
                  SCPI:           device-specific

**Modes:**           A, VA, BTS, MS

**:CALCulate<1|2>:LIMit<1 to 8>:UPPer:SHIFt** <numeric\_value>

This command shifts a limit line, which has relative values for the Y-axis (levels or linear units such as volt).

**Example:**           ":CALC:LIM:UPP:SHIF 20dB"

**Features:**        \*RST value:   --  
                  SCPI:           device-specific

**Modes:**           A, VA, BTS, MS

This command is an event which is why it is not assigned an \*RST value and has no query.

**:CALCulate<1|2>:LIMit<1 to 8>:UPPer:SPACing** LINear | LOGarithmic

This command makes a selection between linear and logarithmic interpolation for the upper limit line.

**Example:**           ":CALC:LIM:UPP:SPAC LIN"

**Features:**        \*RST value:   LIN  
                  SCPI:           device-specific

**Modes:**           A, VA, BTS, MS

**:CALCulate<1|2>:LIMit<1 to 8>:LOWer[:DATA]** <numeric\_value>,<numeric\_value>..

This command defines the values for the selected lower limit line.

**Example:**           ":CALC:LIM:LOW -30,-40,-40,-30"

**Features:**        \*RST value:   - (LIMit:STATe is set to OFF)  
                  SCPI:           conforming

**Modes:**           A, VA, BTS, MS

The number of values for the CONTROL axis and the corresponding LOWER limit line have to be identical. If the measured values violate the LOWER limit line, the limit check signals errors.

The unit must be identical with the unit selected by command CALC:LIM:UNIT.

The units DEG, RAD, S, and HZ are available in the vector signal analysis mode only.

**:CALCulate<1|2>:LIMit<1 to 8>:LOWer:STATe ON | OFF**

This command defines the selected limit line as lower limit line.

**Example:**           ":CALC:LIM:LOWer:STAT ON"

**Features:**       \*RST value:   OFF  
                  SCPI:           conforming

**Modes:**           A, VA, BTS, MS

The limit check is switched on with command `CALCulate:LIMit:STATe ON`. The result of the limit check can be queried with `CALCulate:LIMit:FAIL?`.

**:CALCulate<1|2>:LIMit<1 to 8>:LOWer:OFFSet <numeric\_value>**

This command defines an offset for the Y-axis of the selected relative lower limit line.

**Example:**           ":CALC:LIM:LOW:OFFS 3dB"

**Features:**       \*RST value:   0  
                  SCPI:           device-specific

**Modes:**           A, VA

**:CALCulate<1|2>:LIMit<1 to 8>:LOWer:MARGin <numeric\_value>**

This command defines the margin of the selected lower limit line.

**Example:**           ":CALC:LIM:LOW:MARG 10dB"

**Features:**       \*RST value:   0  
                  SCPI:           device-specific

**Modes:**           A, VA, BTS, MS

**:CALCulate<1|2>:LIMit<1 to 8>:LOWer:MODE RELative | ABSolute**

This command selects the relative or absolute scaling for the Y-axis of the selected lower limit line.

**Example:**           ":CALC:LIM:LOW:MODE REL"

**Features:**       \*RST value:   ABSolute  
                  SCPI:           device-specific

**Modes:**           A, VA, BTS, MS

**:CALCulate<1|2>:LIMit<1 to 8>:LOWer:SHIFt <numeric\_value>**

This command shifts a limit line, which has relative values for the Y-axis (levels or linear units such as volt).

**Example:**           ":CALC:LIM:LOW:SHIF 20dB"

**Features:**       \*RST value:   --  
                  SCPI:           device-specific

**Modes:**           A, VA, BTS, MS

This command is an event which is why it is not assigned an \*RST value and has no query.

**:CALCulate<1|2>:LIMit<1 to 8>:LOWer:SPACing** LINear | LOGarithmic

This command makes a selection between linear and logarithmic interpolation for the lower limit line.

**Example:** " :CALC:LIM:LOW:SPAC LIN"

**Features:** \*RST value: LIN  
SCPI: device-specific

**Modes:** A, VA, BTS, MS

**:CALCulate<1|2>:LIMit<1 to 8>:FAIL?**

This command queries the result of the limit check.

**Example:** " :CALC:LIM:FAIL?"

**Features:** \*RST value: -  
SCPI: conforming

**Modes:** A, VA, BTS, MS

The result of the limit check responds with 0 in case of PASS and with 1 in case of FAIL.

For measurements spectrum due to modulation and spectrum due to transients (options FSE-K10 and FSE-K11), the result of the limit check is queried with this command in frequency sweep mode.

**:CALCulate<1|2>:LIMit<1 to 8>:CLEar[:IMMediate]**

This command deletes the result of the current limit check.

**Example:** " :CALC:LIM:CLE "

**Features:** \*RST value: -  
SCPI: conforming

**Modes:** A, VA, BTS, MS

This command is an event which is why it is not assigned an \*RST value.

**:CALCulate<1|2>:LIMit<1 to 8>:COMMent** <string>

This command defines a comment for the limit line selected.

**Example:** " :CALC:LIM:COMM 'Upper limit for spectrum' "

**Features:** \*RST value: blank comment  
SCPI: device-specific

**Modes:** A, VA, BTS, MS

**:CALCulate<1|2>:LIMit<1 to 8>:COPY 1 to 8 | <name>**

This command copies one limit line onto another one.

**Parameter:** 1 to 8 ::= number of the new limit line or, alternatively:  
<name> ::= name of the new limit line given as a string

**Example:** " :CALC:LIM1:COPY 2 "  
" :CALC:LIM1:COPY 'GSM2' "

**Features:** \*RST value: --  
SCPI: device-specific

**Modes:** A, VA, BTS, MS

The name of the limit line may contain a maximum of 8 characters. This command is an "event" which is why it is not assigned an \*RST value and has no query.

**:CALCulate<1|2>:LIMit<1 to 8>:NAME <name of limit line>**

This command assigns a name to a limit line numbered 1 to 8. If a limit line of the given name doesn't exist previously, a limit line with this name is created. The values of a previous limit line with the selected line number are kept and the current unit is used. If no limit line with the selected line number was defined yet, the correct values for the x and y axis have to be entered before the new limit line will be saved (using commands CALCulate:LIMit:CONTRol:DATA and CALCulate:LIMit:LOWer|UPPer:DATA).

**Example:** " :CALC:LIM1:NAME 'GSM1' "

**Features:** \*RST value: 'REM1' to 'REM8' for lines 1 to 8  
SCPI: device-specific

**Modes:** A, VA, BTS, MS

The name of the limit line may contain a maximum of 8 characters.

**:CALCulate<1|2>:LIMit<1 to 8>:DELeTe**

This command deletes the limit line selected.

**Examples:** " :CALC:LIM1:DEL "

**Features:** \*RST value: --  
SCPI: device-specific

**Modes:** A, VA, BTS, MS

This command is an "event" which is why it is not assigned an \*RST value and has no query.

**:CALCulate<1|2>:LIMit<1 to 8>:BURSt:PTEMplate?**

This command queries the result of the limit check for a power vs. time measurement.

**Parameter:** The result is displayed in character data form. Possible values are:

	PASSED	limit not exceeded
FAILED		limit exceeded
RUNNING		measurement not completed

**Examples:** " :CALC:LIM:BURS:PTEM?"

**Features:** \*RST value: --  
SCPI: device-specific

**Modes:** BTS, MS

This command is a query and therefore not assigned a \*RST value.

If no measurement has been carried out yet, a query error is triggered off. The numeric suffixes <1|2> or <1 to 8> are not significant for this command.

**:CALCulate<1|2>:LIMit<1 to 8>:BURSt:POWer?**

This command queries the total result of the carrier power measurement.

**Parameter:** The result is displayed in character data form. Possible values are:

PASSED	limit not exceeded
FAILED	limit exceeded
ABORTED	measurement aborted
RUNNING	measurement not completed

**Examples:** " :CALC:LIM:BURS:POW?"  
Result: PASSED

**Features:** \*RST value: --  
SCPI: device-specific

**Modes:** BTS, MS

This command is a query and therefore not assigned a \*RST value.

If the command is triggered off before the carrier power measurement was started for the first time, a query error results. The numeric suffixes <1|2> or <1 to 8> are not significant for this command.

**:CALCulate<1|2>:LIMit<1 to 8>:BURSt:PFERror?**

This command queries the total result of the phase/frequency measurement.

**Parameter:** Result 1 limit not exceeded  
0 limit exceeded

**Example:** " :CALC:LIM:BURS:PFER?"  
Result:1

**Features:** \*RST value: --  
SCPI: device-specific

**Modes:** BTS, MS

This command is a query and therefore not assigned a \*RST value.

If the command is triggered off before the phase/frequency measurement was started for the first time, a query error results. The numeric suffixes <1|2> or <1 to 8> are not significant for this command.

**:CALCulate<1|2>:LIMit<1 to 8>:BURSt:MACCuracy?**

This command queries the total result of the modulation accuracy measurement.

**Parameter:**        1            limit not exceeded  
                       0            limit exceeded

**Example:**         " :CALC:LIM:BURS:MACC? "  
                       Result:1

**Features:**        \*RST value:    --  
                       SCPI:            device-specific

**Modes:**            BTS, MS

This command is a query and therefore not assigned a \*RST value.

If the command is triggered off before the cphase-frequency measurement was started for the first time, a query error results. The numeric suffixes <1|2> or <1 to 8> are not significant for this command. This command is only available in conjunction with option FSE-K20 / FSE-K21 .

**:CALCulate<1|2>:LIMit<1 to 8>:SPECtrum:MODulation? ARFCn | TXBand | RXBand | COMBined | DCSRx1800**

This command queries the total result of the spectrum due to modulation measurement for list mode. For frequency mode, the limit violations are queried with command CALCulate:LIMit:FAIL? .

**Parameter:**        The result is displayed in character data form. Possible values are:

PASSED            limit not exceeded  
 FAILED            limit exceeded  
 ABORTED          measurement aborted  
 RUNNING          measurement not completed

**Examples:**        " :CALC:LIM:SPEC:MOD? RXB "  
                       Result:    PASSED

**Features:**        \*RST value:    --  
                       SCPI:            device-specific

**Modes:**            BTS, MS

ARFCn	ARFCN ± 1.8 MHz	TXBand	TX-band
RXBand	RX-band	COMBined	ARFCN ± 1.8 MHz / TX-band
DCSRx1800	RX-Band DCS 1800 (option FSE-K10 only)		

This command is a query and therefore not assigned a \*RST value.

The numeric suffixes <1|2> or <1 to 8> are not significant for this command.

**:CALCulate<1|2>:LIMit<1 to 8>:SPECtrum:MODulation:FAILs?** ARFCn | TXBand | RXBand | COMBined | DCSRx1800

This command queries the number of limit violations of the spectrum due to modulation measurement for list mode. The number of limit violations is the total of all violations above and below the carrier. For frequency mode, the limit violations are queried with command `CALCulate:LIMit:FAIL?`.

**Examples:** " :CALC:LIM:SPEC:MOD:FAIL? RXB "

**Features:** \*RST value: --  
SCPI: device-specific

**Modes:** BTS, MS

ARFCn	ARFCN $\pm$ 1.8 MHz
TXBand	TX-band
RXBand	RX-band
COMBined	ARFCN $\pm$ 1.8 MHz / TX-band
DCSRx1800	RX-Band DCS 1800 (option FSE-K10 only)

This command is a query and therefore not assigned a \*RST value. The numeric suffixes <1|2> or <1 to 8> are not significant for this command.

**:CALCulate<1|2>:LIMit<1 to 8>:SPECtrum:MODulation:EXCptions?** ARFCn | TXBand | RXBand | COMBined | DCSRx1800

This command queries the number of limit violations of the spectrum due to modulation measurement which are marked as exceptions. This command is only available for list mode.

**Examples:** " :CALC:LIM:SPEC:MOD:EXC? RXB "

**Features:** \*RST value: --  
SCPI: device-specific

**Modes:** BTS, MS

ARFCn	ARFCN $\pm$ 1.8 MHz
TXBand	TX-band
RXBand	RX-band
COMBined	ARFCN $\pm$ 1.8 MHz / TX-band
DCSRx1800	RX-Band DCS 1800 (option FSE-K10 only)

This command is a query and therefore not assigned a \*RST value. The numeric suffixes <1|2> or <1 to 8> are not significant for this command.

**:CALCulate<1|2>:LIMit<1 to 8>:SPECtrum:SWITching?**

This command queries the total result of the spectrum due to switching transients measurements for list mode. For frequency mode, the limit violations are queried with command `CALCulate:LIMit:FAIL?`

**Parameter:** The result is displayed in character data form. Possible values are:

PASSED	limit not exceeded
FAILED	limit exceeded
ABORTED	measurement aborted
RUNNING	measurement not completed

**Examples:** `" :CALC:LIM:SPEC:SWIT?"`  
 Result: PASSED

**Features:** \*RST value: --  
 SCPI: device-specific

**Modes:** BTS, MS

This command is a query and therefore not assigned a \*RST value. The numeric suffixes <1|2> or <1 to 8> are not significant for this command.

**:CALCulate<1|2>:LIMit<1 to 8>:SPECtrum:SWITching:FAILs?**

This command queries the number of limit violations of the spectrum due to switching transient measurement for list mode. The number of limit violations is the total of all violations above and below the carrier. For frequency mode, the limit violations are queried with command `CALCulate:LIMit:FAIL?`.

**Examples:** `" :CALC:LIM:SPEC:SWIT:FAIL?"`

**Features:** \*RST value: --  
 SCPI: device-specific

**Modes:** BTS, MS

This command is a query and therefore not assigned a \*RST value. The numeric suffixes <1|2> or <1 to 8> are not significant for this command.

**:CALCulate<1|2>:LIMit<1 to 8>:SPURious? TXBand | OTXBand | RXBand | IDLeband**

This command queries the total result of the spurious emissions measurement.

**Parameter:** The result is displayed in character data form. Possible values are:

PASSED	limit not exceeded
FAILED	limit exceeded
ABORTED	measurement aborted
RUNNING	measurement not completed

**Examples:** `" :CALC:LIM:SPUR? OTXB"`  
 Result: PASSED

**Features:** \*RST value: --  
 SCPI: device-specific

**Modes:** BTS, MS

TXBand	TX-band
OTXBand	Not TX-band
RXBand	RX-band (option FSE-K11 only)
IDLeband	IDLeband (option FSE-K10 only)

This command is a query and therefore not assigned a \*RST value. The numeric suffixes <1|2> or <1 to 8> are not significant for this command.

**:CALCulate<1|2>:LIMit<1 to 8>:SPURious:FAILs?** TXBand | OTXBand | RXBand | IDLeband

This command queries the number of limit violations of the spurious emissions measurement.

**Examples:** " :CALC:LIM:SPUR:FAIL? OTXB "

**Features:** \*RST value: --  
SCPI: device-specific

**Modes:** BTS, MS

TXBand TX-band  
OTXBand Not TX-band  
RXBand RX-band (option FSE-K11 only)  
IDLeband IDLeband (option FSE-K10 only)

This command is a query and therefore not assigned a \*RST value. The numeric suffixes <1|2> or <1 to 8> are not significant for this command.

**:CALCulate<1|2>:LIMit<1 to 8>:MARGin** 0 to 100DB

This command sets/changes the value of the margin (safe difference to the actual limit) for the limit check.

**Examples:** " :CALC:LIM:MARG 6DB "

**Features:** \*RST value: 3DB  
SCPI: device-specific

**Modes:** BTS, MS

The numeric suffixes <1|2> or <1 to 8> are not significant for this command.

**:CALCulate<1|2>:LIMit<1 to 8>:ACPpower[:STATe]** ON | OFF

This command switches on and off the limit check for adjacent channel power measurements. The commands `CALC:LIM:ACP:ACH:STAT` or `CALC:LIM:ACP:ALT:STAT` must be used in addition to specify whether the limit check is to be performed for the upper/lower adjacent channel or for the alternate adjacent channels.

**Examples:** " :CALC:LIM:ACP ON "

**Features:** \*RST value: OFF  
SCPI: device-specific

**Modes:** A, VA

The numeric suffixes <1|2> or <1 to 8> are not significant for this command.

**:CALCulate<1|2>:LIMit<1 to 8>:ACPpower:ACHannel** 0 to 100 dB, 0 to 100 dB

This command defines the limit for the upper/lower adjacent channel for adjacent channel power measurements.

**Parameter:** The first (second) numeric value is the limit for the upper (lower) adjacent channel.

**Examples:** " :CALC:LIM:ACP:ACH 30DB, 30DB "

**Features:** \*RST value: 0 dB  
SCPI: device-specific

**Modes:** A, VA

The numeric suffixes <1|2> or <1 to 8> are not significant for this command.

**:CALCulate<1|2>:LIMit<1 to 8>:ACPower:ACHannel:STATe ON | OFF**

This command activates the limit check for the adjacent channel when adjacent channel power measurement is performed. Before, the limit check must be activated using `CALC:LIM:ACP ON`.

**Examples:** " :CALC:LIM:ACP:ACH:STAT ON "

**Features:** \*RST value: OFF  
SCPI: device-specific

**Modes:** A, VA

The numeric suffixes <1|2> or <1 to 8> are not significant for this command.

**:CALCulate<1|2>:LIMit<1 to 8>:ACPower:ACHannel:RESult?**

This command queries the result of the limit check for the upper/lower adjacent channel when adjacent channel power measurement is performed.

**Parameter:** The result is returned in the form <result>, <result> where <result> = PASSED | FAILED, and where the first returned value denotes the lower, the second denotes the upper adjacent channel.

**Examples:** " :CALC:LIM:ACP:ACH:RES? "

**Features:** \*RST value: --  
SCPI: device-specific

**Modes:** A, VA

This command is a query and therefore not assigned a \*RST value. If the power measurement of the adjacent channel is switched off, the command triggers a query error.

The numeric suffixes <1|2> or <1 to 8> are not significant for this command.

**:CALCulate<1|2>:LIMit<1 to 8>:ACPower:ALTernate<1|2> 0 to 100DB, 0 to 100 dB.**

This command defines the limit for the first/second alternate adjacent channel for adjacent channel power measurements.

**Parameter:** The first (second) numeric value is the limit for the lower (upper) alternate adjacent channel. The numeric suffix after `ALTernate<1|2>` denotes the first or the second alternate channel.

**Examples:** " :CALC:LIM:ACP:ALT2 30DB 30DB "

**Features:** \*RST value: 0DB  
SCPI: device-specific

**Modes:** A, VA

The numeric suffixes <1|2> or <1 to 8> are not significant for this command.

**:CALCulate<1|2>:LIMit<1 to 8>:ACPpower:ALTErnate<1|2>:STATe ON | OFF**

This command activates the limit check for the first/second alternate adjacent channel for adjacent channel power measurements. Before, the limit check must be activated using `CALC:LIM:ACP ON`.

**Examples:**           "`:CALC:LIM:ACP:ALT2:STAT ON`"

**Features:**           \*RST value:    OFF  
                  SCPI:            device-specific

**Modes:**             A, VA

The numeric suffixes `<1|2>` or `<1 to 8>` are not significant for this command.

**:CALCulate<1|2>:LIMit<1 to 8>:ACPpower:ALTErnate<1|2>:RESult?**

This command queries the result of the limit check for the first/second alternate adjacent channel for adjacent channel power measurements.

**Parameter:**        The result is returned in the form `<result>`, `<result>` where `<result>` = PASSED | FAILED and where the first (second) returned value denotes the lower (upper) alternate adjacent channel.

**Examples:**           "`:CALC:LIM:ACP:ALT2:RES?`"

**Features:**           \*RST value:    --  
                  SCPI:            device-specific

**Modes:**             A, VA

This command is a query and therefore not assigned a \*RST value. If the power measurement of the adjacent channel is switched off, the command triggers a query error.

The numeric suffixes `<1|2>` or `<1 to 8>` are not significant for this command.

## CALCulate:MARKer Subsystem

The CALCulate:MARKer subsystem checks the marker functions in the instrument.

COMMAND	PARAMETERS	UNIT	COMMENT
CALCulate<1 2>			
:MARKer<1 to 4>			
[:STATe]	<Boolean>	--	
:AOFF			no query
:TRACe	<numeric_value>	--	
:X	<numeric_value>	HZ   S   SYM	
:SLIMits			
[:STATe]	<Boolean>	--	
:COUNt	<Boolean>	--	
:RESolution	<numeric_value>	HZ	
:FREQuency?	--	--	query only
:COUPled			
[:STATe]	<Boolean>	--	
:LOEXclude	<Boolean>	--	
:Y?	--	--	query only
:MAXimum			
[:PEAK]	--	--	no query
:APEak	--	--	no query, Vector Signal Analysis
:NEXT	--	--	no query
:RIGHT	--	--	no query
:LEFT	--	--	no query
:MINimum			
[:PEAK]	--	--	no query
:NEXT	--	--	no query
:RIGHT	--	--	no query
:LEFT	--	--	no query
:STEP			
[:INCRement]	<numeric_value>	HZ   S   SYM	
:AUTO	<Boolean>	--	
:PEXCursion	<numeric_value>	DB	
:READout	MPHase   RIMaginary		Vector Signal Analysis
:FUNction			
:NDBDown	<numeric_value>	DB	
:STATe	<Boolean>	--	
:RESult?	--	--	query only
:FREQuency?	--	--	query only
:ZOOM	<numeric_value>	HZ	no query
:NOISe			
[:STATe]	<Boolean>	--	
:RESult?	--	--	query only
:DEModulation			
:SElect	AM FM		
[:STATe]	<Boolean>	--	
:HOLDoff	<numeric_value>	S	
:SFACtor	<expr>		
:STATe	<Boolean>	--	
:RESult?	--	--	query only
:FREQuency?	--	--	query only

COMMAND	PARAMETERS	UNIT	COMMENT
CALCulate<1 2>			
:MARKer			
:FUNction			
:STRack			
[:STATe]	<Boolean>		
:ADEMod			Option Vector Analyzer
:AM			
[:RESult?]	PPEak   MPEak   MIDDLE   RMS		query only
:FM			
[:RESult?]	PPEak   MPEak   MIDDLE   RMS   RDEV		query only
:PM			
[:RESult?]	PPEak   MPEak   MIDDLE   RMS		query only
:AFRequency			
[:RESult?]			query only
:FERRor			
[:RESult?]			query only
:SINad			
[:STATe]	<Boolean>		
:RESult?			query only
:CARRier			
[:RESult?]			query only
:DDEMod			Option Vector Analyzer
:RESult?	MERM   MEPK   MEPS   PERM   PEPK   PEPS   EVRM   EVPK   EVPS   IQOF   IQIM   ADR   FERR   DEV   FSRM   FSPK   FSPS   RHO   FEPK   DTTS		query only
:POWER			
:SElect	ACPower   CPOWer   OBANdwidth   OBWidth   CN   CN0		
:RESult?	ACPower   CPOWer   OBANdwidth   OBWidth   CN   CN0		query only
:PRESet	NADC   TETRA   PDC   PHS   CDPD   FWCDma   RWCDma   F8CDma   R8CDma   F19Cdma   R19Cdma   FW3Gppcdma   RW3Gppcdma   M2CDma   D2CDma   NONE   FO8Cdma   RO8Cdma   FO19CDMA   RO19CDMA   TCDMa		
:CFILter	<Boolean>		
[:STATe]	OFF		no query
:SUMMARY			
[:STATE]	<Boolean>		
:MAXimum			Option Vector Analyzer
[:STATE]	<Boolean>		query only
:RESult?			
:AVERage			query only
:RESult?			
:PHOLd			query only
:RESult?			



**:CALCulate<1|2>:MARKer<1 to 4>[:STATe] ON | OFF**

This command switches on or off the currently selected marker. If no indication is made, marker 1 is selected automatically.

**Example:** " :CALC:MARK3 ON "

**Features:** \*RST value: OFF  
SCPI: device-specific

**Modes:** A, VA, BTS, MS

**:CALCulate<1|2>:MARKer<1 to 4>:AOFF**

This command switches off all active markers.

**Example:** " :CALC:MARK:AOFF "

**Features:** \*RST value: -  
SCPI: device-specific

**Modes:** A, VA, BTS, MS

This command is an event which is why it is not assigned an \*RST value and has no query.

**:CALCulate<1|2>:MARKer<1 to 4>:TRACe 1 to 4**

This command assigns the selected marker (1 to 4) to the indicated test curve.

**Example:** " :CALC:MARK3:TRAC 2 "

**Features:** \*RST value -  
SCPI: device-specific

**Modes:** A, VA, BTS, MS

**:CALCulate<1|2>:MARKer<1 to 4>:X 0 to MAX (frequency | sweep time | symbols)**

This command positions the selected marker to the indicated frequency (span > 0) or time (span = 0).

**Example:** " :CALC:MARK:X 10.7MHz "

**Features:** \*RST value: -  
SCPI: device-specific

**Modes:** A, VA, BTS, MS

The unit SYM is available only in the vector signal analysis mode.

**:CALCulate<1|2>:MARKer<1 to 4>:X:SLIMits[:STATe] ON | OFF**

This command switches between a limited (ON) and unlimited (OFF) search range.

**Example:** " :CALC:MARK:X:SLIM ON "

**features:** \*RST value: OFF  
SCPI: device-specific

**Modes:** A, VA

**:CALCulate<1|2>:MARKer<1 to 4>:COUNT ON | OFF**

This command switches on or off the frequency counter at the marker position.

**Example:** " :CALC:MARK:COUN ON"  
**Features:** \*RST value: OFF  
 SCPI: device-specific  
**Mode:** A

**:CALCulate<1|2>:MARKer<1 to 4>:COUNT:RESolution 0.1 | 1 | 10 | 100 | 1000 | 10000 Hz**

This command specifies the resolution of the frequency counter.

**Example:** " :CALC:MARK:COUN:RES 1kHz "  
**Features:** \*RST value: 1kHz  
 SCPI: device-specific  
**Mode:** A

The numeric suffix in MARKer<1 to 4> is not significant.

**:CALCulate<1|2>:MARKer<1 to 4>:COUNT:FREQuency?**

This command queries the result of the frequency counter.

**Example:** " :CALC:MARK:COUN:FREQ? "  
**Features:** \*RST value: -  
 SCPI: device-specific  
**Modes:** A, BTS, MS

This command is only a query and thus has no \*RST value.

**:CALCulate<1|2>:MARKer<1 to 4>:COUPled[:STATe] ON | OFF**

This command switches the coupling of markers on or off.

**Example:** " :CALC:MARK:COUP ON"  
**Features:** \*RST value: OFF  
 SCPI: device-specific  
**Modes:** VA

The numeric suffix in MARKer<1 to 4> is not significant.

**:CALCulate<1|2>:MARKer<1 to 4>:LOEXclude ON | OFF**

This command switches the local oscillator suppression on or off.

**Example:** " :CALC:MARK:LOEX ON"  
**Features:** \*RST value: OFF  
 SCPI: device-specific  
**Mode:** A-F

The numeric suffixes 1|2 and 1 to 4 are not significant.

**:CALCulate<1|2>:MARKer<1 to 4>:Y?**

This command queries the selected marker value.

**Example:** " : CALC : MARK : Y ? "

**Features:** \*RST value: -  
SCPI: device-specific

**Modes:** A, VA, BTS, MS

**:CALCulate<1|2>:MARKer<1 to 4>:MAXimum[:PEAK]**

This command positions the marker to the current maximum value in the trace memory.

**Example:** " : CALC : MARK : MAX "

**Features:** \*RST value: -  
SCPI: device-specific

**Modes:** A, VA, BTS, MS

This command is an event which is why it is not assigned an \*RST value and has no query.

**:CALCulate<1|2>:MARKer<1 to 4>:MAXimum:APEak**

This command positions the marker to the maximum absolute value of the trace.

**Example:** " : CALC : MARK : MAX : APE "

**Features:** \*RST value: -  
SCPI: device-specific

**Mode:** VA

This command is an event which is why it is not assigned an \*RST value and has no query.

**:CALCulate<1|2>:MARKer<1 to 4>:MAXimum:NEXT**

This command positions the marker to the next lower maximum value in the trace memory.

**Example:** " : CALC : MARK : MAX : NEXT "

**Features:** \*RST value: -  
SCPI: device-specific

**Modes:** A, BTS, MS

This command is an event which is why it is not assigned an \*RST value and has no query.

**:CALCulate<1|2>:MARKer<1 to 4>:MAXimum:RIGHT**

This command positions the marker to the next smaller maximum value to the right of the current value (i.e., in ascending X direction) in the trace memory.

**Example:** " : CALC : MARK : MAX : RIGH "

**Features:** \*RST value: -  
SCPI: device-specific

**Modes:** A, BTS, MS

This command is an event which is why it is not assigned an \*RST value and has no query.

**:CALCulate<1|2>:MARKer<1 to 4>:MAXimum:LEFT**

This command positions the marker to the next smaller maximum value to the left of the current value (i.e., in descending X direction) in the trace memory.

**Example:** " : CALC : MARK : MAX : LEFT "

**Features:** \*RST value: -  
SCPI: device-specific

**Modes:** A, BTS, MS

This command is an event which is why it is not assigned an \*RST value and has no query.

**:CALCulate<1|2>:MARKer<1 to 4>:MINimum[:PEAK]**

This command positions the marker to the current minimum value in the trace memory.

**Example:** " : CALC : MARK : MIN "

**Features:** \*RST value: -  
SCPI: device-specific

**Modes:** A, VA, BTS, MS

This command is an event which is why it is not assigned an \*RST value and has no query.

**:CALCulate<1|2>:MARKer<1 to 4>:MINimum:NEXT**

This command positions the marker to the next higher minimum value in the trace memory.

**Example:** " : CALC : MARK : MIN : NEXT "

**Features:** \*RST value: -  
SCPI: device-specific

**Modes:** A, BTS, MS

This command is an event which is why it is not assigned an \*RST value and has no query.

**:CALCulate<1|2>:MARKer<1 to 4>:MINimum:RIGHT**

This command positions the marker to the next higher minimum value to the right of the current value (ie in ascending X direction).

**Example:** " : CALC : MARK : MIN : RIGH "

**Features:** \*RST value: -  
SCPI: device-specific

**Modes:** A, BTS, MS

This command is an event which is why it is not assigned an \*RST value and has no query.

**:CALCulate<1|2>:MARKer<1 to 4>:MINimum:LEFT**

This command positions the marker to the next higher minimum value to the left of the current value (ie in descending X direction).

**Example:** " : CALC : MARK : MIN : LEFT "

**Features:** \*RST value: -  
SCPI: device-specific

**Modes:** A, BTS, MS

is command is an event which is why it is not assigned an \*RST value and has no query.

**:CALCulate<1|2>:MARKer<1 to 4>:STEP[:INCRement] <numeric\_value>**

This command defines the marker step width.

**Example:** " :CALC:MARK:STEP 10kHz " (frequency domain)  
CALC:MARK:STEP 5ms " (time domain)

**Features:** \*RST value: - (STEP is set to AUTO)  
SCPI: device-specific

**Mode:** A

This command sets STEP:AUTO to OFF. The numeric suffix in MARKer<1 to 4> is not significant.

**:CALCulate<1|2>:MARKer<1 to 4>:STEP:AUTO ON | OFF**

This command switches the automatic adaptation of the marker step width on or off.

**Example:** " :CALC:MARK:STEP:AUTO OFF "

**Features:** \*RST value: ON  
SCPI: device-specific

**Mode:** A

With AUTO ON, the step width is 10% of the span. The numeric suffix in MARKer<1 to 4> is not significant.

**:CALCulate<1|2>:MARKer<1 to 4>:PEXCursion <numeric\_value>**

This command defines the peak excursion.

**Example:** " :CALC:MARK:PEXC 10dB "

**Features:** \*RST value: 6dB  
SCPI: device-specific

**Modes:** A, VA, BTS, MS

The numeric suffix in MARKer<1 to 4> is not significant.

**:CALCulate<1|2>:MARKer<1 to 4>:READout MPHase | RIMaginary**

This command determines the type of the marker display.

**Example:** " :CALC:MARK:READ RIM "

**Features:** \*RST value: -  
SCPI: device-specific

**Mode:** VA-D

The numeric suffix in MARKer<1 to 4> is not significant.

**:CALCulate<1|2>:MARKer<1 to 4>:FUNCtion:NDBDown <numeric\_value>**

This command defines the "N dB Down" value.

**Example:** " :CALC:MARK:FUNC:NDBD 3dB "

**Features:** \*RST value: 6dB  
SCPI: device-specific

**Mode:** A

The temporary markers T1 and T2 are positioned by n dB below the active reference marker. The frequency spacing of these markers can be queried with CALCulate:MARKer:FUNCtion:NDBDown:RESult?.

**:CALCulate<1|2>:MARKer<1 to 4>:FUNCtion:NDBDown:STATe ON | OFF**

This command switches the "N dB Down" function on or off.

**Example:** " :CALC:MARK:FUNC:NDBD:STAT ON "

**Features:** \*RST value: OFF  
SCPI: device-specific

**Modes:** A, BTS, MS

**:CALCulate<1|2>:MARKer<1 to 4>:FUNCtion:NDBDown:RESult?**

This command queries the frequency spacing (bandwidth) of the "N dB Down" markers.

**Example:** " :CALC:MARK:FUNC:NDBD:RES? "

**Features:** \*RST value: -  
SCPI: device-specific

**Modes:** A, BTS, MS

This command is only a query which is why it is not assigned an \*RST value.

**:CALCulate<1|2>:MARKer<1 to 4>:FUNCtion:NDBDown:FREQuency?**

This command queries the frequencies of the "N dB Down" marker.

**Example:** " :CALC:MARK:FUNC:NDBD:FREQ? "

**Features:** \*RST value: -  
SCPI: device-specific

**Modes:** A, BTS, MS

The two frequency values are separated by comma and indicated in ascending order. This command is only a query which is why it is not assigned an \*RST value.

**:CALCulate<1|2>:MARKer<1 to 4>:FUNCTION:ZOOM <numeric\_value>**

This command defines the range to be enlarged around the active marker.

**Example:** " :CALC:MARK:FUNC:ZOOM 1kHz "

**Features:** \*RST value: -  
SCPI: device-specific

**Mode:** A-F

The subsequent frequency sweep is stopped at the marker position and the frequency of the signal is counted. This frequency becomes the new center frequency, the zoomed span is then set. This command is an event which is why it is not assigned an \*RST value and has no query.

**:CALCulate<1|2>:MARKer<1 to 4>:FUNCTION:NOISe[:STATE] ON | OFF**

This command switches the noise measurement on or off.

**Example:** " :CALC:MARK:FUNC:NOIS ON "

**Features:** \*RST value: OFF  
SCPI: device-specific

**Mode:** A

The noise power density is measured at the position of the markers. The result can be queried with CALCulate:MARKer:FUNCTION:NOISe:RESult?.

**:CALCulate<1|2>:MARKer<1 to 4>:FUNCTION:NOISe:RESult?**

This command queries the result of the noise measurement.

**Example:** " :CALC:MARK:FUNC:NOIS:RES? "

**Features:** \*RST value: -  
SCPI: device-specific

**Modes:** A, BTS, MS

This command is an event which is why it is not assigned an \*RST value and has no query.

**:CALCulate<1|2>:MARKer<1 to 4>:FUNCTION:DEModulation:SElect AM | FM**

This command selects the demodulation type.

**Example:** " :CALC:MARK:FUNC:DEM:SEL FM "

**Features:** \*RST value: AM  
SCPI: device-specific

**Mode:** A

**:CALCulate<1|2>:MARKer<1 to 4>:FUNCtion:DEModulation[:STATe] ON | OFF**

This command switches the demodulation on or off.

**Example:** " :CALC:MARK:FUNC:DEM ON "

**Features:** \*RST value: OFF  
SCPI: device-specific

**Mode:** A

With demodulation switched on, the frequency sweep is stopped at the marker position and the signal is demodulated during the given stop time.

**:CALCulate<1|2>:MARKer<1 to 4>:FUNCtion:DEModulation:HOLDoff 10ms to 1000s**

This command defines the duration of the stop time for the demodulation.

**Example:** " :CALC:MARK:FUNC:DEM:HOLD 3s "

**Features:** \*RST value: - (DEModulation is set to OFF)  
SCPI: device-specific

**Mode:** A

With demodulation switched on, the frequency sweep is stopped at the marker position and the signal is demodulated during the given stop time.

**:CALCulate<1|2>:MARKer<1 to 4>:FUNCtion:SFACtor (60dB/3dB) | (60dB/6dB)**

This command defines the shape factor measurement 60dB/6dB or 60dB/3dB.

**Example:** " :CALC:MARK:FUNC:SFAC (60dB/3dB) "

**Features:** \*RST value: (60dB/6dB)  
SCPI: device-specific

**Modes:** A, BTS, MS

The temporary markers T1 to T4 are positioned in pairs by 60dB and by 3dB or 6dB below the active reference marker. The frequency spacing ratio of these markers - the shape factor - can be queried with `CALCulate:MARKer:FUNCtion:SFACtor:RESult?`.

**:CALCulate<1|2>:MARKer<1 to 4>:FUNCtion:SFACtor:STATe ON | OFF**

This command switches the shape factor measurement on or off.

**Example:** " :CALC:MARK:FUNC:SFAC:STAT ON "

**Features:** \*RST value: OFF  
SCPI: device-specific

**Modes:** A, BTS, MS

**:CALCulate<1|2>:MARKer<1 to 4>:FUNCtion:SFACtor:RESult?**

This command queries the result of the shape factor measurement.

**Example:** " :CALC:MARK:FUNC:SFAC:RES? "

**Features:** \*RST value: -  
SCPI: device-specific

**Modes:** A, BTS, MS

This command is only a query which is why it is not assigned an \*RST value.

**:CALCulate<1|2>:MARKer<1 to 4>:FUNCtion:SFACtor:FREQUency?**

This command queries the frequencies of the shape factor measurement.

**Example:** " :CALC:MARK:FUNC:SFAC:FREQ?"

**Features:** \*RST value: -  
SCPI: device-specific

**Modes:** A, BTS, MS

Four frequency values (at -60 dB, -6 or -3 dB, -6 or -3 dB, -60dB) are indicated in ascending order. They are separated by a comma. This command is only a query which is why it is not assigned an \*RST value.

**:CALCulate<1|2>:MARKer<1 to 4>:FUNCtion:STRack[:STATe] ON | OFF**

This command switches the signal-track function on or off.

**Example:** " :CALC:MARK:FUNC:STR ON"

**Features:** \*RST value: OFF  
SCPI: device-specific

**Mode:** A-F

With SIGNAL TRACK function activated, the maximum signal is determined after each frequency sweep and the center frequency of this signal is set. With drifting signals the center frequency follows the signal.

**:CALCulate<1|2>:MARKer<1 to 4>:FUNCtion:ADEMod:AM[:RESult]? PPEak| MPEak| MIDDLE| RMS**

This command queries the results of the AM modulation measurement of the analog demodulation.

**Example:** " :CALC:MARK:FUNC:ADEM:AM? PPE"

**Features:** \*RST value: -  
SCPI: device-specific

**Mode:** VA-A

PPEak Result of the measurement with detector +PK  
MPEak Result of the measurement with detector -PK  
MIDDLE Result of averaging  $\pm$ PK/2  
RMS Result of the measurement with detector RMS

In the modulation modes FM or PM query of the MIDDLE-result is possible only. This command is only a query which is why it is not assigned an \*RST value.

**:CALCulate<1|2>:MARKer<1 to 4>:FUNCtion:ADEMod:FM[:RESult]?** PPEak | MPEak | MIDDLE | RMS | RDEV

This command queries the results of the FM modulation measurement of the analog demodulation.

**Example:** " :CALC:MARK:FUNC:ADEM:FM? PPE "

**Features:** \*RST value: -  
SCPI: device-specific

**Mode:** VA-A

PPEak Result of the measurement with detector +PK  
MPEak Result of the measurement with detector -PK  
MIDDLE Result of averaging  $\pm PK/2$   
RMS Result of the measurement with detector RMS

In the modulation modes FM or PM query of the MIDDLE-result is possible only. This command is only a query which is why it is not assigned an \*RST value.

**:CALCulate<1|2>:MARKer<1 to 4>:FUNCtion:ADEMod:PM[:RESult]?**PPEak| MPEak| MIDDLE| RMS

This command queries the results of the PM modulation measurement of the analog demodulation.

**Example:** " :CALC:MARK:FUNC:ADEM:PM? PPE "

**Features:** \*RST value: -  
SCPI: device-specific

**Mode:** VA-A

PPEak Result of the measurement with detector +PK  
MPEak Result of the measurement with detector -PK  
MIDDLE Result of averaging  $\pm PK/2$   
RMS Result of the measurement with detector RMS

In the modulation modes FM or PM query of the MIDDLE-result is possible only. This command is only a query which is why it is not assigned an \*RST value.

**:CALCulate<1|2>:MARKer<1 to 4>:FUNCtion:ADEMod:AFRequency[:RESult]?**

This command queries the audio frequency of the analog demodulation.

**Example:** " :CALC:MARK:FUNC:ADEM:AFR? "

**Features:** \*RST value: -  
SCPI: device-specific

**Mode:** VA-A

**:CALCulate<1|2>:MARKer<1 to 4>:FUNCtion:ADEMod:FERRor[:RESult]?**

This command queries the frequency error of the analog demodulation.

**Example:** " :CALC:MARK:FUNC:ADEM:FERR? "

**Features:** \*RST value: -  
SCPI: device-specific

**Mode:** VA-A

This command is only a query which is why it is not assigned an \*RST value.

**:CALCulate<1|2>:MARKer<1 to 4>:FUNCtion:ADEMod:CARRier[:RESult]?**

This command queries the results of the carrier frequency measurement.

**Example:** " : CALC : MARK : FUNC : ADEM : CARR ? "

**Features:** \*RST value: -  
SCPI: device-specific

**Mode:** VA-A

This command is only a query which is why it is not assigned an \*RST value.

**:CALCulate<1|2>:MARKer<1 to 4>:FUNCtion:ADEMod:SINad[:STATe] ON | OFF**

This command switches the SINAD measurement on or off.

**Example:** " : CALC : MARK : FUNC : ADEM : SIN ON "

**Features:** \*RST value: OFF  
SCPI: device-specific

**Mode:** VA-A

This command is valid only in the analog demodulation mode with Real Time ON.

**:CALCulate<1|2>:MARKer<1 to 4>:FUNCtion:ADEMod:SINad:RESult?**

This command queries the results of the SINAD measurement.

**Example:** " : CALC : MARK : FUNC : ADEM : SIN : RES ? "

**Features:** \*RST value: -  
SCPI: device-specific

**Mode:** VA-A

This command is only a query and thus has no \*RST value assigned.

**:CALCulate<1|2>:MARKer<1 to 4>:FUNCtion:DDEMod:RESult?**

MERM | MEPK | MEPS | PERM | PEPK | PEPS | EVRM | EVPK | EVPS | IQOF | IQIM | ADR | FERR | FEPK | RHO | DEV | FSRM | FSPK | FSPS | DTTS

This command queries the error measurement results of digital demodulation. The results correspond to the values obtained when the symbol table (SYMBOL TABLE/ ERRORS softkey) is selected in manual operation. Marker values can be queried with command `CALCulate<1|2>:MARKer<1...4>:Y?` and trace data with command `TRACe[:DATA]`.

**Example:** `" :CALC:MARK:FUNC:DDEM:RES? EVRM "`

**Features:** \*RST value: -  
SCPI: device-specific

**Mode:** VA-D

MERM	magnitude error in %rms	FERR	frequency error in Hz
MEPK	maximum of magnitude error in %pk	FEPK	maximum of frequency error in Hz
MEPS	symbol number by which the maximum of the magnitude error occurred	ADR	amplitude drop in dB/symbol
PERM	phase error in deg	RHO	Rho-Factor
PEPK	maximum of phase error in deg	DEV	FSK deviation in Hz
PEPS	symbol number by which the maximum of the phase error occurred		
EVRM	vector error in %rms	FSPK	maximum of FSK deviation error in Hz
EVPK	maximum of vector error in %pk	FSRM	FSK deviation error in Hz
EVPS	symbol number by which the maximum of the vector error occurred	FSPS	symbol number by which the maximum of error occurred
IQOF	I/Q-offset error in %	DTTS	trigger delay of synchronization
IQIM	I/Q Imbalance in %		

This command is only a query which is why it is not assigned an \*RST value.

**:CALCulate<1|2>:MARKer<1 to 4>:FUNCtion:POWER:SElect ACPower | CPOWer | OBANdwidth | OBWidth | CN | CN0**

This command selects the type of power measurement without modifying other settings.

**Example:** `" :CALC:MARK:FUNC:POW:SEL ACP "`

**Features:** \*RST value: -  
SCPI: device-specific

**Mode:** A-F

This command is an event which is why it is not assigned an \*RST value.

ACPower	adjacent channel power measurement
CPOWer	channel power measurement
OBANdwidth   OBWidth	occupied bandwidth power measurement
CN	signal / noise power measurement
CN0	signal-/ noise power measurement based on 1Hz bandwidth

**:CALCulate<1|2>:MARKer<1 to 4>:FUNCtion:POWER:RESult?ACPower | CPOWer | OBANdwidth | OBWidth | CN | CN0**

This command queries the results of the power measurement (see also CALCulate:MARKer:FUNCtion:POWER:SElect.)

**Example:** " :CALC:MARK:FUNC:POW:RES? OBW "

**Features:** \*RST value: -  
SCPI: device-specific

**Modes:** A, VA, BTS, MS

**ACPower** adjacent channel power measurement; Results are output separated by commas in the following order: Power of main channel  
Power of lower adjacent channel 1  
Power of upper adjacent channel 1  
Power of lower adjacent channel 2  
Power of upper adjacent channel 2

...

The number of results depends on the number of adjacent channels selected. With logarithmic scaling (RANGE LOG), the power is output in dBm, with linear scaling (RANGE LIN dB or LIN %) in W. If SENSE:POWER:ACHannel:MODE REL is selected, adjacent channel power is output in dB.

**CPOWer** channel power measurement  
With logarithmic scaling (RANGE LOG), the channel power is output in dBm, with linear scaling (RANGE LIN dB or LIN %) in W.

**OBANdwidth | OBWidth** occupied bandwidth power measurement  
The return value is the occupied bandwidth in Hz

**CN** signal / noise power measurement  
The return value is always in dB..

**CN0** signal-/ noise power measurement based on 1Hz bandwidth  
The return value is always in dB/Hz

This command is only a query which is why it is not assigned an \*RST value.

**:CALCulate<1|2>:MARKer<1 to 4>:FUNCtion:POWER[:STATe] OFF**

This command switches the power measurement off.

**Example:** " :CALC:MARK:FUNC:POW OFF "

**Features:** \*RST value: -  
SCPI: device-specific

**Modes:** A-F, VA-D

This command is an event which is why it is not assigned an \*RST value.

**:CALCulate<1|2>:MARKer<1 to 4>:FUNCtion:POWer:PRESet**

NADC | TETRA | PDC | PHS | CDPD | FWCDma | RWCDma | FW3Gppcdma |  
 RW3Gppcdma | M2CDma | D2CDma | F8CDma | R8CDma | F19Cdma | R19Cdma |  
 NONE | FO8Cdma | RO8Cdma | FO19CDMA | RO19CDMA | TCDMa

This command selects the settings for power measurement of one of the standards.

**Example:** " :CALC:MARK:FUNC:POW:PRES NADC "

**Features:** \*RST value: -  
 SCPI: device-specific

**Mode:** A-F

FWCDma	W-CDMA forward
RWCDma	W-CDMA reverse
FW3Gppcdma	W-CDMA 3GPP forward
RW3Gppcdma	W-CDMA 3GPP reverse
M2CDma	CDMA2000 Multi Carrier
D2CDma	CDMA2000 Direct Sequence
F8CDma	CDMA800 forward
R8CDma	CDMA800 reverse
F19Cdma	CDMA1900 forward
R19Cdma	CDMA1900 reverse
FO8Cdma	CDMA One 800 forward
RO8Cdma	CDMA One 800 reverse
FO19CDMA	CDMA One 1900 forward
RO19CDMA	CDMA One 1900 reverse
TCDMa	TD-SCDMA

The selection of a standard influences the parameters weighting filter, channel bandwidth and spacing, resolution and video bandwidth, as well as detector and sweep time.

This command is an event which is why it is not assigned an \*RST value and query.

**:CALCulate<1|2>:MARKer<1 to 4>:FUNCtion:POWer:CFILter ON | OFF**

This command switches the weighting filter for the selected standard on or off.

**Example:** " :CALC:MARK:FUNC:POW:CFIL ON "

**Features:** \*RST value: OFF  
 SCPI: device-specific

**Mode:** A-F

**:CALCulate<1|2>:MARKer<1 to 4>:FUNCtion:SUMMery:STATe ON | OFF**

This command switches the messages selected by the summary marker (eg RMS and MEAN) on and off. One or several measurements can be selected with the commands listed in the following and then switched jointly on and off with SUMMery:STATe.

**Example:** " :CALC:MARK:FUNC:SUMM:STAT ON "

**Features:** \*RST value: OFF  
 SCPI: device-specific

**Mode:** A-Z, VA

**:CALCulate<1|2>:MARKer<1 to 4>:FUNCtion:SUMMary:MAXimum[:STATe] ON | OFF**

This command switches on or off the measurement of the maximum of the absolute value.

**Example:** " :CALC:MARK:FUNC:SUMM:MAX ON"

**Features:** \*RST value: OFF  
SCPI: device-specific

**Mode:** VA

When the measurement is switched on, the summary marker is automatically activated (command `SUMMary:STATe` set to ON). When it is switched off, the summary marker remains switched on provided further measurements are selected. Otherwise the marker is switched off automatically.

**:CALCulate<1|2>:MARKer<1 to 4>:FUNCtion:SUMMary:MAXimum:RESult?**

This command queries the results of the measurement of the maximum of the absolute value. Results of average calculation and peak hold are queried with commands `...:MAXimum:AVERage:RESult?` and `...:MAXimum:PHOLd:RESult?`.

**Example:** " :CALC:MARK:FUNC:SUMM:MAX:RES?"

**Features:** \*RST value: -  
SCPI: device-specific

**Mode:** VA

This command is only a query and thus has no \*RST value assigned.

**:CALCulate<1|2>:MARKer<1 to 4>:FUNCtion:SUMMary:MAXimum:AVERage:RESult?**

This command is used to query the results of the measurement of the maximum of the absolute value if the average is calculated using the command `:CALCulate<1|2>:MARKer<1 to 4>:FUNCtion:SUMMary:AVERage`.

**Example:** " :CALC:MARK:FUNC:SUMM:MAX:AVER:RES?"

**Features:** \*RST value: -  
SCPI: device-specific

**Mode:** VA

This command is only a query and thus has no \*RST value assigned.

**:CALCulate<1|2>:MARKer<1 to 4>:FUNCtion:SUMMary:MAXimum:PHOLd:RESult?**

This command is used to query the results of the measurement of the maximum of the absolute value when the peak hold function is switched on with command `:CALCulate<1|2>:MARKer<1 to 4>:FUNCtion:SUMMary:PHOLd`.

**Example:** " :CALC:MARK:FUNC:SUMM:MAX:PHOL:RES?"

**Features:** \*RST value: -  
SCPI: device-specific

**Mode:** VA

This command is only a query and thus has no \*RST value assigned.

**:CALCulate<1|2>:MARKer<1 to 4>:FUNCTION:SUMMARY:PPEak[:STATe] ON | OFF**

This command switches on or off the measurement of the positive peak value if the calculation and.

**Example:** " :CALC:MARK:FUNC:SUMM:PPE ON "

**Features:** \*RST value: OFF  
SCPI: device-specific

**Mode:** VA

When the measurement is switched on, the summary marker is automatically activated (command SUMMARY:STATe set to ON). When it is switched off, the summary marker remains switched on provided further measurements are selected. Otherwise the marker is switched off automatically.

**:CALCulate<1|2>:MARKer<1 to 4>:FUNCTION:SUMMARY:PPEak:RESult?**

This command is used to query the result of the measurement of the positive peak value. Results of average calculation and peak hold are queried with commands . . . :PPEak:AVERAge:RESult? and . . . :PPEak:PHOLd:RESult?.

**Example:** " :CALC:MARK:FUNC:SUMM:PPE:RES? "

**Features:** \*RST value: -  
SCPI: device-specific

**Mode:** VA

This command is only a query and thus has no \*RST value assigned.

**:CALCulate<1|2>:MARKer<1 to 4>:FUNCTION:SUMMARY:PPEak:AVERAge:RESult?**

This command is used to query the result of the measurement of the positive peak value if the average is calculated using the command :CALCulate<1|2>:MARKer<1 to 4>:FUNCTION:SUMMARY:AVERAge.

**Example:** " :CALC:MARK:FUNC:SUMM:PPE:AVER:RES? "

**Features:** \*RST value: -  
SCPI: device-specific

**Mode:** VA

This command is only a query and thus has no \*RST value assigned.

**:CALCulate<1|2>:MARKer<1 to 4>:FUNCTION:SUMMARY:PPEak:PHOLd:RESult?**

This command is used to query the result of the measurement of the positive peak value if the peak hold function is switched on with command :CALCulate<1|2>:MARKer<1 to 4>:FUNCTION:SUMMARY:PHOLd.

**Example:** " :CALC:MARK:FUNC:SUMM:PPE:PHOL:RES? "

**Features:** \*RST value: -  
SCPI: device-specific

**Mode:** VA

This command is only a query and thus has no \*RST value assigned.

**:CALCulate<1|2>:MARKer<1 to 4>:FUNCtion:SUMMary:MPEak[:STATe] ON | OFF**

This command switches on or off the measurement of the negative peak value.

**Example:** " :CALC:MARK:FUNC:SUMM:MPE ON"

**Features:** \*RST value: OFF  
SCPI: device-specific

**Mode:** VA

When the measurement is switched on, the summary marker is automatically activated (command `SUMMary:STATe` set to ON). When it is switched off, the summary marker remains switched on provided further measurements are selected. Otherwise the marker is switched off automatically.

**:CALCulate<1|2>:MARKer<1 to 4>:FUNCtion:SUMMary:MPEak:RESult?**

This command queries the result of the measurement of the negative peak value. Results of average calculation and peak hold are queried with commands `...:MPEak:AVERage:RESult?` and `...:MPEak:PHOLd:RESult?`.

**Example:** " :CALC:MARK:FUNC:SUMM:MPE:RES?"

**Features:** \*RST- value: -  
SCPI: device-specific

**Mode:** VA

This command is only a query and thus has no \*RST value assigned.

**:CALCulate<1|2>:MARKer<1 to 4>:FUNCtion:SUMMary:MPEak:AVERage:RESult?**

This command queries the result of the measurement of the negative peak value if the average is calculated using the command `:CALCulate<1|2>:MARKer<1 to 4>:FUNCtion:SUMMary:AVERage`.

**Example:** " :CALC:MARK:FUNC:SUMM:MPE:AVER:RES?"

**Features:** \*RST- value: -  
SCPI: device-specific

**Mode:** VA

This command is only a query and thus has no \*RST value assigned.

**:CALCulate<1|2>:MARKer<1 to 4>:FUNCtion:SUMMary:MPEak:PHOLd:RESult?**

This command queries the result of the measurement of the negative peak value if the peak hold function is switched on with command `:CALCulate<1|2>:MARKer<1 to 4>:FUNCtion:SUMMary:PHOLd`.

**Example:** " :CALC:MARK:FUNC:SUMM:MPE:RES?"

**Features:** \*RST- value: -  
SCPI: device-specific

**Mode:** VA

This command is only a query and thus has no \*RST value assigned.

**:CALCulate<1|2>:MARKer<1 to 4>:FUNCtion:SUMMary:MIDDle[:STATe] ON | OFF**

This command switches on or off the measurement of the arithmetical mean between positive and negative peak value.

**Example:** " :CALC:MARK:FUNC:SUMM:MIDD ON "

**Features:** \*RST value: OFF  
SCPI: device-specific

**Mode:** VA

When the measurement is switched on, the summary marker is automatically activated (command `SUMMary:STATe` set to ON). When it is switched off, the summary marker remains switched on provided further measurements are selected. Otherwise the marker is switched off automatically.

**:CALCulate<1|2>:MARKer<1 to 4>:FUNCtion:SUMMary:MIDDle:RESult?**

This command queries the result of the measurement of the arithmetical mean between positive and negative peak value. Results of average calculation and peak hold are queried with commands `...:MIDDle:AVERAge:RESult?` and `...:MIDDle:PHOLd:RESult?`.

**Example:** " :CALC:MARK:FUNC:SUMM:MIDD:RES? "

**Features:** \*RST- value: -  
SCPI: device-specific

**Mode:** VA

This command is only a query and thus has no \*RST value assigned

**:CALCulate<1|2>:MARKer<1 to 4>:FUNCtion:SUMMary:MIDDle:AVERAge:RESult?**

This command queries the result of the measurement of the arithmetical mean between positive and negative peak value if the average is calculated using the command `:CALCulate<1|2>:MARKer<1 to 4>:FUNCtion:SUMMary:AVERAge`.

**Example:** " :CALC:MARK:FUNC:SUMM:MIDD:AVER:RES? "

**Features:** \*RST- value: -  
SCPI: device-specific

**Mode:** VA

This command is only a query and thus has no \*RST value assigned

**:CALCulate<1|2>:MARKer<1 to 4>:FUNCtion:SUMMary:MIDDle:PHOLd:RESult?**

This command queries the result of the measurement of the arithmetical mean between positive and negative peak value if the peak hold function is switched on using the command `:CALCulate<1|2>:MARKer<1 to 4>:FUNCtion:SUMMary:PHOLd`.

**Example:** " :CALC:MARK:FUNC:SUMM:MIDD:PHOL:RES? "

**Features:** \*RST- value: -  
SCPI: device-specific

**Mode:** VA

This command is only a query and thus has no \*RST value assigned

**:CALCulate<1|2>:MARKer<1 to 4>:FUNCtion:SUMMary:RMS[:STATe] ON | OFF**

This command switches on or off the measurement of the effective (rms) value of the total trace.

**Example:** " :CALC:MARK:FUNC:SUM:RMS ON "

**Features:** \*RST value: OFF  
SCPI: device-specific

**Modes:** A-Z, VA

When the measurement is switched on, the summary marker is automatically activated (command `SUMMary:STATe` set to ON). When it is switched off, the summary marker remains switched on provided further measurements are selected. Otherwise the marker is switched off automatically.

**:CALCulate<1|2>:MARKer<1 to 4>:FUNCtion:SUMMary:RMS:RESult?**

This command queries the result of the measurement of the mean value of the total trace. Results of average calculation and peak hold are queried with commands `...:RMS:AVERage:RESult?` and `...:RMS:PHOLd:RESult?..`

**Example:** " :CALC:MARK:FUNC:SUMM:RMS:RES? "

**Features:** \*RST- value: -  
SCPI: device-specific

**Modes:** A-Z, VA

This command is only a query and thus has no \*RST value assigned.

**:CALCulate<1|2>:MARKer<1 to 4>:FUNCtion:SUMMary:RMS:AVERage:RESult?**

This command queries the result of the measurement of the mean value of the total trace if the average is calculated using the command `:CALCulate<1|2>:MARKer<1 to 4>:FUNCtion:SUMMary:AVERage`.

**Example:** " :CALC:MARK:FUNC:SUMM:RMS:AVER:RES? "

**Features:** \*RST- value: -  
SCPI: device-specific

**Modes:** A-Z, VA

This command is only a query and thus has no \*RST value assigned.

**:CALCulate<1|2>:MARKer<1 to 4>:FUNCtion:SUMMary:RMS:PHOLd:RESult?**

This command queries the result of the measurement of the mean value of the total trace if the peak hold function is switched on using the command `:CALCulate<1|2>:MARKer<1 to 4>:FUNCtion:SUMMary:PHOLd`.

**Example:** " :CALC:MARK:FUNC:SUMM:RMS:PHOL:RES? "

**Features:** \*RST- value: -  
SCPI: device-specific

**Modes:** A-Z, VA

This command is only a query and thus has no \*RST value assigned.

**:CALCulate<1|2>:MARKer<1 to 4>:FUNCtion:SUMMary:MEAN[:STATe] ON | OFF**

This command switches on or off the measurement of the mean value of the total trace.

**Example:** " :CALC:MARK:FUNC:SUMM:MEAN ON "

**Features:** \*RST value: OFF  
SCPI: device-specific

**Modes:** A-Z, VA

When the measurement is switched on, the summary marker is automatically activated (command `SUMMary:STATe` set to ON). When it is switched off, the summary marker remains switched on provided further measurements are selected. Otherwise the marker is switched off automatically.

**:CALCulate<1|2>:MARKer<1 to 4>:FUNCtion:SUMMary:MEAN:RESult?**

This command queries the result of the measurement of the mean value of the total trace. Results of average calculation and peak hold are queried with commands `...:MEAN:AVERage:RESult?` and `...:MEAN:PHOLd:RESult?..`

**Example:** " :CALC:MARK:FUNC:SUMM:MEAN:RES? "

**Features:** \*RST- value: -  
SCPI: device-specific

**Modes:** A-Z, VA

This command is only a query and thus has no \*RST value assigned.

**:CALCulate<1|2>:MARKer<1 to 4>:FUNCtion:SUMMary:MEAN:AVERage:RESult?**

This command queries the result of the measurement of the mean value of the total trace if the average is calculated using the command `:CALCulate<1|2>:MARKer<1 to 4>:FUNCtion:SUMMary:AVERage`.

**Example:** " :CALC:MARK:FUNC:SUMM:MEAN:AVER:RES? "

**Features:** \*RST- value: -  
SCPI: device-specific

**Modes:** A-Z, VA

This command is only a query and thus has no \*RST value assigned.

**:CALCulate<1|2>:MARKer<1 to 4>:FUNCtion:SUMMary:MEAN:PHOLd:RESult?**

This command queries the result of the measurement of the mean value of the total trace if the peak hold function is switched on using the command `:CALCulate<1|2>:MARKer<1 to 4>:FUNCtion:SUMMary:PHOLd`.

**Example:** " :CALC:MARK:FUNC:SUMM:MEAN:PHOL:RES? "

**Features:** \*RST- value: -  
SCPI: device-specific

**Modes:** A-Z, VA

This command is only a query and thus has no \*RST value assigned.

**:CALCulate<1|2>:MARKer<1 to 4>:FUNCtion:SUMMary:PHOLd ON | OFF**

This command switches on or off the peak-hold function.

**Example:** " :CALC:MARK:FUNC:SUMM:PHOL ON "

**Features:** \*RST value: OFF  
SCPI: device-specific

**Modes:** A-Z, VA

The peak-hold function is reset by switching off and on, again.

**:CALCulate<1|2>:MARKer<1 to 4>:FUNCtion:SUMMary:AVERAge ON | OFF**

This command switches the calculation of the average value on or off.

**Example:** " :CALC:MARK:FUNC:SUMM:AVER ON "

**Features:** \*RST value: OFF  
SCPI: device-specific

**Modes:** A-Z, VA

The calculation of the average is reset by switching off and on, again.

**:CALCulate<1|2>:MARKer<1 to 4>:FUNCtion:SUMMary:AOFF**

This command switches off all measuring functions.

**Example:** " :CALC:MARK:FUNC:SUMM:AOFF "

**Features:** \*RST value: -  
SCPI: device-specific

**Modes:** A-Z, VA

This command is an "event" and therefore has no \*RST value assigned and no query.

**:CALCulate<1|2>:MARKer<1 to 4>:FUNCtion:CENTer**

This command sets the center frequency to that of the current marker.

**Example:** " :CALC:MARK:FUNC:CENT "

**Features:** \*RST value: -  
SCPI: device-specific

**Mode:** A-F

This command is an "event" and therefore has no \*RST value assigned and no query.

**:CALCulate<1|2>:MARKer<1 to 4>:FUNCtion:CSTep**

This command sets the step width of the center frequency to the x-value of the current marker.

**Example:** " :CALC:MARK:FUNC:CST "

**Features:** \*RST value: -  
SCPI: device-specific

**Mode:** A-F

This command is an "event" and therefore has no \*RST value assigned and no query.

**:CALCulate<1|2>:MARKer<1 to 4>:FUNCtion:STARt**

This command sets the start frequency to the frequency of the current marker.

**Example:** " : CALC : MARK : FUNC : STAR "

**Features:** \*RST value: -  
SCPI: device-specific

**Mode:** A-F

This command is an "event" which is why it is not assigned an \*RST value and has no query.

**:CALCulate<1|2>:MARKer<1 to 4>:FUNCtion:STOP**

This command sets the stop frequency to the frequency of the current marker.

**Example:** " : CALC : MARK : FUNC : STOP "

**Features:** \*RST value: -  
SCPI: device-specific

**Mode:** A-F

This command is an "event" which is why it is not assigned an \*RST value and has no query.

**:CALCulate<1|2>:MARKer<1 to 4>:FUNCtion:MSTep**

This command sets the marker step width to the x-value of the current marker.

**Example:** " : CALC : MARK : FUNC : MST "

**Features:** \*RST value: -  
SCPI: device-specific

**Modes:** A, VA

This command is an "event" which is why it is not assigned an \*RST value and has no query.

**:CALCulate<1|2>:MARKer<1 to 4>:FUNCtion:REFerence**

This command sets the reference level to that of the current marker.

**Example:** " : CALC : MARK : FUNC : REF "

**Features:** \*RST value: -  
SCPI: device-specific

**Modes:** A, VA

This command is an "event" and therefore has no \*RST value assigned and no query.

This command is an <Event> and has therefore neither \*RST value nor query. The numeric suffixes in CALCulate<1|2> and MARKer<1 to 4> are not significant.

## CALCulate:MATH Subsystem

The CALCulate:MATH - subsystem allows to process data from the SENSE-subsystem in numeric expressions.

COMMAND	PARAMETERS	UNIT	COMMENT
CALCulate<1 2> :MATH<1 to 4> [:EXPRession] [:DEFine] :STATe	<expr> <Boolean>	-- --	

### :CALCulate<1|2>:MATH<1 to 4>[:EXPRession][:DEFine] <expr>

This command defines the mathematical expression for relating traces and reference line. Command CALCulate:MATH:STATe switches the mathematical relation of traces on or off .

**Parameter:** <expr> ::= 'OP1 - OP2 [ + RLINE ]'  
 OP1 ::= TRACE1 | TRACE2 | TRACE3 | TRACE4  
 OP2 ::= TRACE1 | TRACE2 | TRACE3 | TRACE4 | RLINE

**Examples:** " :CALC:MATH1 (TRACE1 - TRACE3 + RLINE) "  
 " :CALC:MATH4 (TRACE4 - RLINE) "

**Features:** \*RST value: -  
 SCPI: conforming

**Modes:** A, VA

The operand [ + RLINE ] may be used only if OP2 is different from RLINE. The numeric suffix in CALCULATE<1 | 2> is not significant. The numeric suffix in MATH<1 to 4> denotes the trace where the result of the mathematical operation is stored. The number must be identical to the number of the operand OP1.

### :CALCulate<1|2>:MATH<1 to 4>:STATe ON | OFF

This command switches the mathematical relation of traces on or off.

**Example:** " :CALC:MATH1:STAT ON"

**Features:** \*RST value: OFF  
 SCPI: conforming

**Modes:** A, VA

The numeric suffix in CALCULATE<1 | 2> is not significant. The numeric suffix in MATH<1 to 4> denotes the trace which the command refers to.

## CALCulate:X and CALCulate:UNIT Subsystem

The CALCulate:X and CALCulate:Unit subsystems define the units for vector signal analyzer mode and power measurements.

COMMAND	PARAMETERS	UNIT	COMMENT
CALCulate<1 2> :X :UNIT :TIME :UNIT :ANGLE :POWer	S   SYM  DEG   RAD DBM   V   W   DB   PCT   UNITLESS   DBPW   WATT   DBUV   DBMV   VOLT   DBPT   DBUA   AMPere DBUV_MHZ   DBMV_MHZ   DBUA_MHZ   DBUV_M   DBUA_M   DBUV_MMHZ   DBUA_MMHZ		Vector Signal Analysis  Vector Signal Analysis

### :CALCulate<1|2>:X:UNIT:TIME S | SYM

This command selects seconds or symbols as an x-axis unit.

**Example:** " :CALC:X:UNIT:TIME S "

**Features:** \*RST value: S  
SCPI: device-specific

**Mode:** VA-D

### :CALCulate<1|2>: UNIT:ANGLE DEG | RAD

This command selects the unit for angular measurement.

**Example:** " :CALC:UNIT:ANGL DEG "

**Features:** \*RST- value: RAD  
SCPI: device-specific

**Mode:** VA-D

### :CALCulate<1|2>: UNIT:POWer DBM | V | W | DB | PCT | DBPT | UNITLESS | DBPW | WATT | DBUV | DBMV | VOLT | DBUA | AMPere | DBUV\_MHZ | DBMV\_MHZ | DBUA\_MHZ | DBUV\_M | DBUA\_M | DBUV\_MMHZ | DBUA\_MMHZ

This command selects the unit for power.

**Example:** " :CALC:UNIT:POW DBM "

**Features:** \*RST value: \_  
SCPI: device-specific

**Modes:** A, VA

The units DEG, RAD, S, and HZ are available only in the vector analyzer mode.

DBUV\_MHZ and DBUA\_MHZ denote the units DBUV/MHZ or DBUA/MHZ.

## CALibration Subsystem

The commands of the CALibration subsystem perform instrument calibrations.

COMMAND	PARAMETERS	UNIT	COMMENT
CALibration			
[:ALL]?	--	--	query only
:BANDwidth			
[:RESolution]?	--	--	query only
:BWIDth			
[:RESolution]?	--	--	query only
:IQ?	--	--	query only / Vector Signal Analysis
:LDEtector?	--	--	query only
:LOSuppression?	--	--	query only
:PPEak?	--	--	query only FSEM/FSEK only
:SHORT?	--	--	query only
:STATe	<Boolean>	--	

### ::CALibration[:ALL]?

This command performs a complete calibration of the instrument. A "0" is returned if the calibration was successful.

**Example:** "CAL?"

**Features:** \*RST value: -  
SCPI: conforming

**Modes:** A, VA, BTS, MS

### :CALibration:BANDwidth | BWIDth[:RESolution]?

This command performs a calibration of the filter bandwidths. A "0" is returned if the calibration was successful.

**Example:** ":CAL:BAND?"

**Features:** \*RST value: -  
SCPI: device-specific

**Modes:** A, VA, BTS, MS

### :CALibration:IQ?

This command performs a calibration of the vector signal analyzer. A "0" is returned if the calibration was successful.

**Example:** ":CAL:IQ?"

**features:** \*RST value: -  
SCPI: device-specific

**Modes:** VA, BTS, MS

**:CALibration:LDETECTOR?**

This command performs a calibration of the log module's characteristic and of the detectors. A "0" is returned if the calibration was successful.

**Example:** " :CAL:LDET? "  
**Features:** \*RST value: -  
 SCPI: device-specific  
**Modes:** A, VA, BTS, MS

**:CALibration:LOSuppression?**

This command performs a calibration of the local oscillator suppression. . A "0" is returned if the calibration was successful.

**Example:** " :CAL:LOS? "  
**Features:** \*RST value: -  
 SCPI: device-specific  
**Modes:** A, VA, BTS, MS

This command is only valid by model '30 instruments or by instruments which have been retrofitted.

**:CALibration:PPEAK?**

This command performs a calibration of the tracking YIG filter (preselector peaking). A "0" is returned if the calibration was successful.

**Example:** " :CAL:PPE? "  
**Features:** \*RST value: -  
 SCPI: device-specific  
**Modes:** A

This command is only valid by the models FSEM and FSEK.

**:CALibration:SHORT?**

This command performs a short calibration. A "0" is returned if the calibration was successful.

**Example:** " :CAL:SHOR? "  
**Features:** \*RST value: -  
 SCPI: device-specific  
**Modes:** A, VA, BTS, MS

**:CALibration:STATE ON | OFF**

This command determines whether (ON) or not (OFF) the current calibration data are taken into consideration.

**Example:** " :CAL:STAT OFF "  
**Features:** \*RST value: -  
 SCPI: conforming  
**Modes:** A, VA, BTS, MS

## CONFigure Subsystem

The CONFigure subsystem contains commands for configuring complex measurement tasks, like those provided by the options GSM BTS Analyzer (FSE-K11) or GSM MS Analyzer (FSE-K10). The CONFigure subsystem is closely linked to the functions of the FETCH and READ subsystems, where the measurement cycles are started and/or the results of the measurements are queried.

### CONFigure:BTS Subsystem

This subsystem provides the commands for configuring the GSM BTS Analyzer mode (Option FSE-K11) for analyzing the behavior of base stations corresponding to the standards P-GSM, E-GSM, R-GSM, DCS1800 or PCS1900. EDGE measurement require option FSE-K21, and tests in the GSM 850 MHz band option FSE-K31.

COMMAND	PARAMETERS	UNIT	COMMENT
CONFigure			
[:BTS]			Option FSE-K11/K21/31
:MEASurement?			query only
:ARFCn	<numeric_value>	--	
:AUTO	ONCE		no query
:LIMit			
:PPEak	<numeric_value>	DEG	
:PRMS	<numeric_value>	DEG	
:EVMRms	<numeric_value>	PCT	
:EVMPeak	<numeric_value>	PCT	
:OSUPpress	<numeric_value>	DB	
:PERCentile	<numeric_value>	PCT	
:FREQuency	<numeric_value>	ppm	
:STANdard	<Boolean>		
:POWER			
:CLASs	<numeric_value>   M1   M2   M3   P1   EG1   EG2   EG3	--	
:COUPled	<Boolean>		
:STATic	<numeric_value>	--	
:DYNamic	<numeric_value>	--	
:EXPEcted	<numeric_value>	DBM	
:LIMit	<numeric_value>	DBM	
:SINGle			
[:STATe]	<Boolean>		
:CLEar	--		no query
:CHANnel			
:SLOT	<numeric_value>	--	no query
:AUTO	ONCE		
:TSC	<numeric_value>	--	no query
:AUTO	<Boolean>		
:SFH	<Boolean>		
:NETWork			
[:TYPE]	PGSM   PGSM900   EGSM   EGSM900   DCS   GSM1800   PCS   GSM1900   RGSM   RGSM900   GSM850		
:PHASe	1 2[,PLUS]		
:COSiting	<Boolean>		
:TXSupp	<Boolean>		no query
:PRESet	--		
:SWEeptime	STANdard   AUTO		
:MTYPE	GMSK   EDGE		
:STYPE	NORMal   MICRo   PICO		

**:CONFigure[:BTS]:MEASurement?**

This command queries which measurement is currently set.

PFError	Phase-/Frequency Error
MACCuracy	Modulation Accuracy
POWer	Carrier Power
PTEMplate	Power v. Time
MODulation	Modulation Spectrum
SWITching	Transient Spectrum
SPURious	Spurious

**Example:** " :CONF:MEAS? "      Answer: "PFER"

**Features:** \*RST-value: -  
SCPI: device-specific

**Mode:**            BTS

This command is a query and has therefore no \*RST value assigned.

**:CONFigure[:BTS]:ARFCn <numeric\_value>**

This command selects the number of the transmission channel of the base station.

<b>Parameter:</b>	<numeric_value>::=	1 to 124	(P-GSM phase I/II)
		0 to 124, 975 to 1023	(E-GSM)
		0 to 124, 955 to 1023	(R-GSM)
		512 to 885	(DCS1800 phase I/II/II+)
		512 to 810	(PCS1900)
		128 to 251	(GSM850)

**Example:** " :CONF:ARFC 67"

**Features:** \*RST value:    1    (P-GSM phase I/II)  
                              0    (E-GSM; R-GSM)  
                              512 (DCS1800 phase I/II/II+)  
                              512 (PCS1900)  
                              128 (GSM850)  
SCPI:                    device-specific

**Mode:**            BTS

**:CONFigure[:BTS]:ARFCn:AUTO ONCE**

This command is used to search for the channel number of the transmission channel of the base station automatically. This requires only one channel to be active.

**Example:** " :CONF:ARFC:AUTO ONCE"

**Features:** \*RST value:    --  
SCPI:                    device-specific

**Mode:**            BTS

This command is an event and thus has no query and no \*RST value assigned.

**:CONFigure[:BTS]:LIMit:PPEak** <numeric\_value>

This command determines the phase error limits in degrees for the phase/frequency measurement (peak value).

**Example:** " :CONF:LIM:PPE 66 "

**Feature:** \*RST value: depending on standard  
SCPI: device-specific

**Mode:** BTS

**:CONFigure[:BTS]:LIMit:PRMS** <numeric\_value>

This command determines the phase error limits in degrees for the phase/frequency measurement (mean value).

**Example:** " :CONF:LIM:PRMS 22 "

**Feature:** \*RST value: depending on standard  
SCPI: device-specific

**Mode:** BTS

**Betriebsart:** BTS

**CONFigure[:BTS]:LIMit:EVMRms**<numeric\_value>

This command determines the value in percent for the error limits of error vector magnitude measurement with RMS weighting.

**Example:** " :CONF:LIM:EVMR 40 "

**Features:** \*RST value depending on the standard  
SCPI: device-specific

**Mode:** BTS

**CONFigure[:BTS]:LIMit:EVMPeak**<numeric\_value>

This command determines the value in percent for the error limits of error vector magnitude measurement with PEAK weighting.

**Example:** " :CONF:LIM:EVMP 30 "

**Features:** \*RST value depending on the standard  
SCPI: device-specific

**Mode:** BTS

**:CONFigure[:BTS]:LIMit:OSUPpress**<numeric\_value>

This command defines the limit for the origin offset suppression.

**Example:** " :CONF:LIM:OSUP 30 "

**Features:** \*RST value depending on the standard  
SCPI: device-specific

**Mode:** BTS

**:CONFigure[:BTS]:LIMit:PERCentile<numeric\_value>**

This command determines the 95% percentile limits. The percentile defines the value which the EVM may exceed 5% of all symbols at maximum.

**Example:** " :CONF:LIM:PERC 30 "

**Features:** \*RST value depending on the standard  
 SCPI: device-specific

**Mode:** BTS

**:CONFigure[:BTS]:LIMit:FREQuency <numeric\_value>**

This command determines the frequency error limits in ppm for the phase/frequency measurement.

**Example:** " :CONF:LIM:FREQ 36 "

**Feature:** \*RST value: depending on standard  
 SCPI: device-specific

**Mode:** BTS

**:CONFigure[:BTS]:LIMit:STANdard ON | OFF**

This command switches between user-defined (OFF) and standard-defined (ON) limit values.

**Example:** " :CONF:LIM:STAN ON "

**Feature:** \*RST value: ON  
 SCPI: device-specific

**Mode:** BTS

**:CONFigure[:BTS]:POWER:CLASs <numeric\_value> | M1 | M2 | M3 | P1**

This command defines the power class of the base station.

**Parameter:** <numeric\_value> ::= 1 to 8 (P-GSM phase I/II, E-GSM, R-GSM, GSM850)  
 ::= 1 to 4 (PCS1900, DCS1800 phase I/II/II+)  
 M1, M2, M3 ::= Power Classes for Micro BTS  
 P1 ::= Power Class for Pico BTS

**Example:** " :CONF:POW:CLAS 4 "

**Features:** \*RST value: 4 (P-GSM phase I/II, E-GSM, R-GSM, GSM850)  
 1 (DCS1800, PCS1900)  
 SCPI: device-specific

**Mode:** BTS

**:CONFigure[:BTS]:POWER:COUPled ON | OFF**

This command switches between user-defined (OFF) and standard-defined (ON) level values.

**Example:** " :CONF:POW:COUP ON "

**Feature:** \*RST value: ON  
 SCPI: device-specific

**Mode:** BTS

**:CONFigure[:BTS]:POWer:STATic** 0 to 6

This command defines the static power control level of the base station.

**Example:** " :CONF:POW:STAT 3"

**Features:** \*RST value: 0  
SCPI: device-specific

**Mode:** BTS

**:CONFigure[:BTS]:POWer:DYNamic** 0 to 15

This command defines the dynamic power control level of the base station.

**Example:** " :CONF:POW:DYN 5"

**Features:** \*RST value: 0  
SCPI: device-specific

**Mode:** BTS

**:CONFigure[:BTS]:POWer:EXPected** <numeric\_value>

This command enters directly the rated output level of the base station specified by the manufacturer.

**Example:** " :CONF:POW:EXP 43DBM"

**Features:** \*RST value: 46 dBm (P-GSM phase I/II, E-GSM, R-GSM)  
43 dBm (DCS1800, PCS1900)  
SCPI: device-specific

**Mode:** BTS

**:CONFigure[:BTS]:POWer:LIMit** <numeric\_value>

This command defines the level for the selection of level-dependent limit lines.

**Example:** " :CONF:POW:LIM 65DBM"

**Feature:** \*RST value: depending on standard  
SCPI: device-specific

**Mode:** BTS

This command is only available for the setting :CONFigure[:BTS]:POWer:COUPled OFF.

**:CONFigure[:BTS]:POWer:SINGLE[:STATe]** ON | OFF

This command switches single measurement of carrier power on and off.

**Example:** " :CONF:POW:SING ON"

**Feature:** \*RST value: OFF  
SCPI: device-specific

**Mode:** BTS

**:CONFigure[:BTS]:POWer:SINGle:CLEar**

This command clears the table containing the single-step carrier power measurements.

**Example:** " : CONF : POW : SING : CLE "

**Feature:** \*RST value: --  
SCPI: device-specific

**Mode:** BTS

This command is an event and has therefore neither \*RST value nor query.

**:CONFigure[:BTS]:CHANnel:SLOT 0 to 7**

This command selects the slot number within a transmission frame of the base station.

**Example:** " : CONF : CHAN : SLOT 3 "

**Features:** \*RST value: 0  
SCPI: device-specific

**Mode:** BTS

On changing the slot number, the number of the midamble (TSC) is automatically adapted to the slot.

**:CONFigure[:BTS]:CHANnel:SLOT:AUTO ONCE**

This command automatically searches for the slot number within a transmission frame of the base station. This requires only one slot to be active.

**Example:** " : CONF : CHAN : SLOT : AUTO ONCE "

**Features:** \*RST value: --  
SCPI: device-specific

**Mode:** BTS

This command is an event and thus has no query and no \*RST value assigned.

**:CONFigure[:BTS]:CHANnel:SFH ON | OFF**

This command defines whether the base station uses slow frequency hopping or not.

**Example:** " : CONF : CHAN : SFH ON "

**Features:** \*RST value: OFF  
SCPI: device-specific

**Mode:** BTS

This command is available only when spurious or transient spectrum measurement is selected. The settings for spurious measurement are independent from those selected for transient spectrum.

**:CONFigure[:BTS]:CHANnel:TSC:AUTO** ON | OFF

This command couples the midamble (training sequence TSC\_0 to 7) to the slot, i.e. if the slot number is changed the training sequence in the ON state is automatically adapted. In the OFF state, the training sequence set is conserved even if the slot number is changed.

**Example:** " :CONF:CHAN:TSC:AUTO ON"

**Features:** \*RST value: ON  
SCPI: device-specific

**Mode:** BTS

**:CONFigure[:BTS]:CHANnel:TSC** 0 to 7

This command selects the midamble (training sequence TSC\_0 to 7) of the active slot.

**Example:** " :CONF:CHAN:TSC 3"

**Features:** \*RST value: 0  
SCPI: device-specific

**Mode:** BTS

**:CONFigure[:BTS]:NETWork[:TYPE]** PGSM | PGSM900 | EGSM | EGSM900 | DCS |GSM1800 | PCS | GSM1900 | RGSM | RGSM900 | GSM850

This command selects the standard type according to which the base station will work.

**Example:** " :CONF:NETW DCS"

**Features:** \*RST value: GSM  
SCPI: device-specific

**Mode:** BTS

**:CONFigure[:BTS]:NETWork:PHASe** 1|2 [,PLUS]

This command selects the phase of the standard according to which the base station will work.

**Example:** " :CONF:NETW:PHAS 2"

**Features:** \*RST value: 1  
SCPI: device-specific

**Mode:** BTS

**:CONFigure[:BTS]:COSiting** ON | OFF

This command selects whether the base station has the "cositing" feature.

**Example:** " :CONF: COS ON"

**Features:** \*RST value: OFF  
SCPI: device-specific

**Mode:** BTS

This command is available only if spurious emission measurement is selected.

**:CONFigure[:BTS]:TXSupp ON | OFF**

This command defines that an additional carrier suppression of min. 20dB is taken into account for the measurement. If there is already suppression, a more sensitive setting of the instrument is selected.

**Example:** " :CONF:TXS ON"  
**Features:** \*RST value: OFF  
 SCPI: device-specific  
**Mode:** BTS

For measurements in the RX-band the value is automatically set to ON.

**:CONFigure[:BTS]:PRESet**

This command resets the parameters for the standard selected to their default values (DEFAULT SETTINGS).

**Example:** " :CONF:PRES "  
**Features:** \*RST value: --  
 SCPI: device-specific  
**Mode:** BTS

This command is an event and has thus no query and no \*RST value assigned.

**:CONFigure[:BTS]:SWEeptime STANdard | AUTO**

This command selects the sweep-time computing mode for the spurious measurement:

**Example:** " :CONF:SWE AUTO "  
**Feature:** \*RST value: STANdard  
 SCPI: device-specific  
**Mode:** BTS

STANdard The computation of the sweep time is based on a worst-case estimation  
 AUTO The sweep time is reduced by a factor of 8 (assuming all slots are on).

**CONFigure[:BTS]:MTYPe GMSK | EDGE**

This command selects the modulation type (GMSK or EDGE (8PSK)).

**Example:** " :CONF:MTYP EDGE "  
**Features:** \*\*RST value: GMSK  
 SCPI: device-specific  
**Mode:** BTS

**CONFigure[:BTS]:STYPe NORMal | MICRo | PICO**

This comman selects the type of base station.

**Example:** " :CONF:STYP PICO "  
**Features:** \*RST value: NORM  
 SCPI: device-specific  
**Mode:** BTS

## CONFigure:BURSt Subsystem

This subsystem provides the commands for configuring the measurements in the GSM BTS Analyzer mode (option FSE-K11) or GSM MS Analyzer mode (option FSE-K10) which are performed on individual bursts. (carrier power, phase/frequency error, power vs. time).

COMMAND	PARAMETERS	UNIT	COMMENT
CONFigure			
:BURSt			
:PFERror			no query, Option FSE-K11 or FSE-K10 & FSE-B7
[:IMMediate]	--	--	
:COUNT	<numeric_value>	--	Option FSE-K11 or FSE-K10
:CONDition	NORMal   EXTReMe		Option FSE-K11 or FSE-K10
:MACCuracy			no query
[:IMMediate]	--	--	
:COUNT	<numeric_value>	--	Option FSE-K11 or FSE-K10 & FSE-B7
:CONDition	NORMal   EXTReMe		
:POWer			
[:IMMediate]	--		No query
:COUNT	<numeric_value>	--	
:CONDition	NORMal   EXTReMe	--	
:PTEmplate			Option FSE-K11 or FSE-K10
[:IMMediate]	--		no query
:COUNT	<numeric_value>	--	
:SELect	FULL   TOP   RISing   FALLing	--	
:REFerence			Option FSE-K11 or FSE-K10
:AUTO	<Boolean>		no query

### :CONFigure:BURSt:PFERror[:IMMediate]

This command selects measurement of the phase and frequency error of the base station or mobile.

**Example:** " : CONF : BURS : PFER "

**Features:** \*RST value: --  
SCPI: device-specific

**Modes:** BTS, MS

This command is an event and thus has no query and no \*RST value assigned.

It is available only in conjunction with option GSM BTS Analyzer FSE-K11 or option GSM MS Analyzer, FSE-K10, and Vector Signal Analysis, FSE-B7.

### :CONFigure:BURSt:PFERror:COUNT 1 to 1000

This command sets the number of bursts used for the determination of average and maximum value.

**Example:** " : CONF : BURS : PFER : COUN 100 "

**Features:** \*RST value: 500 (GSM/DCS1800 Phase I)  
200 otherwise  
SCPI: device-specific

**Modes:** BTS, MS

It is available only in conjunction with option GSM BTS Analyzer FSE-K11 or option GSM MS Analyzer, FSE-K10, and Vector Signal Analysis, FSE-B7.

**:CONFigure:BURSt:PFERror:CONDition NORMal | EXTReMe**

This command defines the conditions for phase-frequency measurement.

**Example:** " :CONF: BURS: PFER: COND EXTR "

**Features:** \*RST value: NORMal  
SCPI: device-specific

**Modes:** BTS, MS

**:CONFigure:BURSt:MACCuracy[:IMMediate]**

This command selects measurement of the measurement accuracy of the base station or mobile.

**Example:** " :CONF: BURS: MACC "

**Features:** \*RST value: --  
SCPI: device-specific

**Modes:** BTS, MS

This command is an event and thus has no query and no \*RST value assigned.

It is available only in conjunction with option GSM BTS Analyzer FSE-K11 or option GSM MS Analyzer, FSE-K10, and Vector Signal Analysis, FSE-B7.

**:CONFigure:BURSt:MACCuracy:COUNt 1 to 1000**

This command sets the number of bursts used for the determination of average and maximum value.

**Example:** " :CONF: BURS: MACC: COUN 100 "

**Features:** \*RST value: 1  
SCPI: device-specific

**Modes:** BTS, MS

It is available only in conjunction with option GSM BTS Analyzer FSE-K11 or option GSM MS Analyzer, FSE-K10, and Vector Signal Analysis, FSE-B7.

**:CONFigure:BURSt:MACCuracy:CONDition NORMal | EXTReMe**

This command defines the conditions for modulation accuracy measurement.

**Example:** " :CONF: BURS: MACC: COND EXTR "

**Features:** \*RST value: NORMal  
SCPI: device-specific

**Modes:** BTS, MS

**:CONFigure:BURSt:POWer[:IMMediate]**

This command selects measurement of the average carrier power of the base station or mobile.

**Example:** " :CONF: BURS: POW "

**Features:** \*RST value: --  
SCPI: device-specific

**Modes:** BTS, MS

This command is an event and thus has no query and no \*RST value assigned.

**:CONFigure:BURSt:POWer:COUNT 1 to 1000**

This command sets the number of bursts used for the determination of measured values.

**Example:** " :CONF: BURS: POW: COUN 100 "

**Features:** \*RST value: 500 (GSM/DCS1800 phase I)  
200 otherwise  
SCPI: device-specific

**Modes:** BTS, MS

**:CONFigure:BURSt:POWer:CONDition NORMAl | EXTReme**

This command defines the conditions for power measurement.

**Example:** " :CONF: BURS: POW: COND EXTR "

**Features:** \*RST value: NORMAl  
SCPI: device-specific

**Modes:** BTS, MS

**:CONFigure:BURSt:PTEMPlate[:IMMediate]**

This command selects measurement of power of the base station or mobile vs. time.

**Example:** " :CONF: BURS: PTEM "

**Features:** \*RST value: --  
SCPI: device-specific

**Modes:** BTS, MS

This command is an event and thus has no query and no \*RST value assigned.

**:CONFigure:BURSt:PTEMPlate:COUNT 1 to 1000**

This command defines the number of bursts used for determining the measured value.

**Example:** " :CONF: BURS: PTEM: COUN 100 "

**Features:** \*RST value: 500 (GSM/DCS1800 phase I)  
200 otherwise  
SCPI: device-specific

**Modes:** BTS, MS

**:CONFigure:BURSt:PTEMplate:SElect** FULL | TOP | RISing | FALLing

This command defined the burst section to be measured.

**Example:** " :CONF:BURS:PTEM:SEL TOP "

**Features:** \*RST value: FULL  
 SCPI: device-specific

**Modes:** BTS, MS

**:CONFigure:BURSt:REFerence:AUTO** ON | OFF

This command switches between automatic and user-activated preview of power versus time. When switched to AUTO, the preview is always performed, when switched to OFF it is omitted. Note: see READ:BURSt:REF:IMM

**Example:** " :CONF:BURS:REF:AUTO ON "

**Feature:** \*RST value: AUTO  
 SCPI: device-specific

**Mode:** BTS, MS

## CONFigure:MS Subsystem

This subsystem provides the commands for configuring the GSM MS Analyzer mode (Option FSE-K10/FSE-K20) for analyzing the behavior of mobiles corresponding to the standards P-GSM, E-GSM, R-GSM, DCS1800 or PCS1900. EDGE measurement require option FSE-K20, and tests in the GSM 850 MHz band option FSE-K30.

COMMAND	PARAMETERS	UNIT	COMMENT
CONFigure			
[:MS]			option FSE-K10/K20/K30
:MEASurement?			query only
:ARFCn	<numeric_value>	--	
:AUTO	ONCE		no query
:LIMit			
:PPEak	<numeric_value>	DEG	
:PRMS	<numeric_value>	DEG	
:EVMRms	<numeric_value>	PCT	
:EVMPeak	<numeric_value>	PCT	
:OSUPpress	<numeric_value>	DB	
:PERCentile	<numeric_value>	PCT	
:FREQuency	<numeric_value>	ppm	
:STANdard	<Boolean>		
:POWer			
:CLASs	<numeric_value>   EG1   EG2   EG3   M1   M2   M3   P1	--	
:COUPled	<Boolean>	--	
:LEVel	<numeric_value>	DBM	
:LIMit	<numeric_value>	DBM	
:EXPEcted	<numeric_value>		no query
:SINGle			
[:STATe]	<Boolean>		
:CLEar	--		no query
:SMALI	<Boolean>		
:CHANnel			
:SFH	<Boolean>	--	
:TSC	<numeric_value>		
:NETWork			
[:TYPE]	PGSM   PGSM900  EGSM   EGSM900   DCS   GSM1800   PCS   GSM1900   RGSM   RGSM900   GSM850		
:PHASe	1 2[,PLUS]		
:TXSupp	<Boolean>		no query
:PRESet	--		
:SWEeptime	STANdard   AUTO		
:MTYPE	GMSK   EDGE		

**:CONFigure[:MS]:MEASurement?**

This command queries which measurement is currently set.

PFError	Phase-/Frequency Error
MAccuracy	Modulation Accuracy
POWer	Carrier Power
PTEmplate	Power v. Time
MODulation	Modulation Spectrum
SWITching	Transient Spectrum
SPURious	Spurious

**Example:** " :CONF:MEAS? "      Answer: "PFER"

**Features:** \*RST value: -  
 SCPI:            device specific

**Mode:**        MS

This command is a query and has therefore no \*RST value assigned.

**:CONFigure[:MS]:ARFCn <numeric\_value>**

This command selects the number of the transmission channel of the mobile.

<b>Parameter:</b>	<numeric_value>::=	1 to 124	(P-GSM phase I/II)
		0 to 124, 975 to 1023	(E-GSM)
		0 to 124, 955 to 1023	(R-GSM)
		512 to 885	(DCS1800 phase I/II/II+)
		512 to 810	(PCS1900)
		128 to 251	(GSM850)

**Example:** " :CONF:ARFC 67 "

**Features:** \*RST value:    1    (P-GSM phase I/II)  
                           0    (E-GSM; R-GSM)  
                           512 (DCS1800 phase I/II/II+)  
                           512 (PCS1900)  
                           128 (GSM850)  
 SCPI:            device-specific

**Mode:**        MS

**:CONFigure[:MS]:ARFCn:AUTO ONCE**

This command selects automatically the transmission channel of the mobile.

**Example:** " :CONF:ARFC:AUTO ONCE "

**Features:** \*RST value:    -  
 SCPI:            device-specific

**Mode:**        MS

**:CONFigure[:MS]:LIMit:PPEak** <numeric\_value>

This command determines the phase error limits in degrees for the phase/frequency measurement (peak value).

**Example:** " :CONF:LIM:PPE 66 "

**Feature:** \*RST value: depending on standard  
SCPI: device-specific

**Mode:** MS

**:CONFigure[:MS]:LIMit:PRMS** <numeric\_value>

This command determines the phase error limits in degrees for the phase/frequency measurement (mean value).

**Example:** " :CONF:LIM:PRMS 22 "

**Feature:** \*RST value: depending on standard  
SCPI: device-specific

**Mode:** MS

**:CONFigure[:MS]:LIMit:EVMRms**<numeric\_value>

This command determines the value in percent for the error limits of error vector magnitude measurement with RMS weighting.

**Example:** " :CONF:LIM:EVMR 40 "

**Features:** \*RST value depending on the standard  
SCPI: device-specific

**Mode:** BTS

**:CONFigure[:MS]:LIMit:EVMPeak**<numeric\_value>

This command determines the value in percent for the error limits of error vector magnitude measurement with PEAK weighting.

**Example:** " :CONF:LIM:EVMP 30 "

**Features:** \*RST value depending on the standard  
SCPI: device-specific

**Mode:** BTS

**:CONFigure[:MS]:LIMit:OSUPpress**<numeric\_value>

This command defines the limit for the origin offset suppression.

**Example:** " :CONF:LIM:OSUP 30 "

**Features:** \*RST value depending on the standard  
SCPI: device-specific

**Mode:** BTS

**:CONFigure[:MS]:LIMit:PERCentile**<numeric\_value>

This command defines the limit for the 95% percentile.

**Example:** " :CONF:LIM:PERC 30 "

**Features:** \*RST value depending on the standard  
SCPI: device-specific

**Mode:** BTS

**:CONFigure[:MS]:LIMit:FREQuency** <numeric\_value>

This command determines the frequency error limits in ppm for the phase/frequency measurement.

**Example:** " :CONF:LIM:FREQ 36 "

**Feature:** \*RST value: depending on standard  
SCPI: device-specific

**Mode:** MS

**:CONFigure[:MS]:LIMit:STANdard** ON | OFF

This command switches between user-defined (OFF) and standard-defined (ON) limit values.

**Example:** " :CONF:LIM:STAN ON "

**Feature:** \*RST value: ON  
SCPI: device-specific

**Mode:** MS

**:CONFigure[:MS]:POWer:CLASs** <numeric\_value> | EG1 | EG2 | EG3

This command defines the power class of the mobile.

**Parameter:** <numeric\_value> ::= 1 to 5 (P-GSM phase I)  
2 to 5 (P-GSM phase II, R-GSM850)  
2 to 5 (E-GSM; R-GSM)  
1 to 2 (DCS1800 phase I)  
1 to 3 (DCS1800 phase II/II+)  
1 to 3 (PCS1900)

**Example:** " :CONF:POW:CLAS 4 "

**Features:** \*RST value: 2 (P-GSM phase I/II, E-GSM, R-GSM, R-GSM850)  
1 (DCS1800, PCS1900)  
SCPI: device-specific

**Mode:** MS

**:CONFigure[:MS]:POWer:COUPlEd** ON | OFF

This command switches between user-defined (OFF) and standard-defined (ON) level values.

**Example:** " :CONF:POW:COUP ON "

**Feature:** \*RST value: ON standard  
OFF user-defined  
SCPI: device-specific

**Mode:** MS

**:CONFigure[:MS]:POWer:LEVel** 0 to 31

This command defines the power control level of the mobile.

**Example:** " :CONF:POW:LEV 5 "

**Features:** \*RST value: 2 (P-GSM Phase I/II, E-GSM, R-GSM, GSM850)  
0 (DCS1800, PCS1900)  
SCPI: device-specific

**Mode:** MS

**:CONFigure[:MS]:POWer:LIMit** <numeric\_value>

This command defines the level for the selection of level-dependent limit lines.

**Example:** " :CONF:POW:LIM 65DBM "

**Feature:** \*RST value: depending on standard  
SCPI: device-specific

**Mode:** MS

This command is only available for the setting :CONFigure[:MS]:POWer:COUPlEd OFF.

**:CONFigure[:MS]:POWer:EXPEcted** <numeric\_value>

This command enters directly the rated output level of the mobile.

**Example:** " :CONF:POW:EXP 43DBM "

**Features:** \*RST value: GMSK:  
39 dBm (P-GSM Phase I/II, E-GSM, R-GSM, GSM850)  
30 dBm (DCS1800, PCS1900)  
EDGE  
33 dBm (P-GSM Phase I/II, E-GSM, R-GSM, GSM850)  
30 dBm (DCS1800, PCS1900)  
SCPI: device-specific

**Mode:** MS

**:CONFigure[:MS]:POWer:SINGle[:STATe] ON | OFF**

This command switches single measurement of carrier power on and off.

**Example:** " :CONF:POW:SING ON"  
**Feature:** \*RST value: OFF  
 SCPI: device-specific  
**Mode:** MS

**:CONFigure[:MS]:POWer:SINGle:CLEar**

This command clears the table containing the single-step carrier power measurements.

**Example:** " :CONF:POW:SING:CLE "  
**Feature:** \*RST value: --  
 SCPI: device-specific  
**Mode:** MS

This command is an event and has therefore neither \*RST value nor query.

**:CONFigure[:MS]:POWer:SMAL ON | OFF**

This command switches the limits for spurious measurement in the RGSM range. It is only available for phase 2+.

**Example:** " :CONF:POW:SMAL ON"  
**Feature:** \*RST value: OFF  
 SCPI: device-specific  
**Mode:** MS

**:CONFigure[:MS]:CHANnel:SFH ON | OFF**

This command switches slow-frequency hopping on or off.

**Example:** " :CONF:CHAN:SFH ON"  
**Feature:** \*RST value: OFF  
 SCPI: device-specific  
**Mode:** MS

**:CONFigure[:MS]:CHANnel:TSC 0 to 7**

This command selects the midamble used by the mobile.

**Parameter:** 0 to 7 (training sequence for the Normal Burst)  
**Example:** " :CONF:CHAN:TSC 3 "  
**Features:** \*RST value: 0  
 SCPI: device-specific  
**Mode:** MS

**:CONFigure[:MS]:NETWork[:TYPE]** PGSM | PGSM900 | EGSM |EGSM900 | DCS |GSM1800 | PCS|GSM1900 | RGSM | RGSM900 | GSM850

This command selects the standard type according to which the mobile will work.

**Example:** " :CONF:NETW DCS "

**Features:** \*RST value: GSM  
SCPI: device-specific

**Mode:** MS

**:CONFigure[:MS]:NETWork:PHASe** 1 | 2 [,PLUS]

This command selects the phase of the standard according to which the mobile will work.

**Example:** " :CONF:NETW:PHAS 2 "

**Features:** \*RST value: 1  
SCPI: device-specific

**Mode:** MS

**:CONFigure[:MS]:TXSupp** ON | OFF

This command defines that an additional carrier suppression of min. 20dB is taken into account for the measurement. If there is already suppression, a more sensitive setting of the instrument is selected.

**Example:** " :CONF:TXS ON "

**Features:** \*RST value: OFF  
SCPI: device-specific

**Mode:** MS

For measurements in the RX-band the value is automatically set to ON.

**:CONFigure[:MS]:PRESet**

This command resets the parameters for the standard selected to their default values (DEFAULT SETTINGS).

**Example:** " :CONF:PRES "

**Features:** \*RST value: --  
SCPI: device-specific

**Mode:** MS

This command is an event and has thus no query and no \*RST value assigned.

**:CONFigure[:MS]:SWEeptime** STANdard | AUTO

This command selects the sweep-time computing mode for the spurious measurement:

**Example:** " :CONF:SWE AUTO "

**Feature:** \*RST value: STANdard  
 SCPI: device-specific

**Mode:** MS

STANdard The computation of the sweep time is based on a worst-case estimation

AUTO The sweep time is reduced by a factor of 8 (assuming all slots are on).

**:CONFigure[:MS]:MTYPe** GMSK | EDGE

This command selects the standard (GMSK or EDGE).

**Example:** " :CONF:MTYP EDGE "

**Features:** \*RST value: GMSK  
 SCPI: device-specific

**Mode:** MS

## CONFigure:SPECTrum Subsystem

This subsystem provides the commands for configuring the measurements in the GSM BTS Analyzer mode (FSE-K11) or in the GSM MS Analyzer mode (FSE-K10) used to determine the power of the spectral contributions due to modulation and switching (modulation spectrum, transient spectrum).

COMMAND	PARAMETERS	UNIT	COMMENT
CONFigure			
:SPECTrum			
:MODulation			
[:IMMEDIATE]	--	--	no query, Option FSE-K11 or FSE-K10
:COUNT	<numeric_value>	--	Option FSE-K11 or FSE-K10
:RANGE	ARFCn   TXBand   RXBand   COMBined   DCSRx1800   G8Rxband   PCSRx1900		Option FSE-K11 or FSE-K10
:TGATe	<Boolean>		Option FSE-K11
:SWITChing		--	Option FSE-K11 or FSE-K10
[:IMMEDIATE]	--	--	no query
:COUNT	<numeric_value>		

### :CONFigure:SPECTrum:MODulation[:IMMEDIATE]

This command selects measurement of the spectrum due to modulation.

**Example:** " : CONF : SPEC : MOD "

**Features:** \*RST value: --  
SCPI: device-specific

**Modes:** BTS, MS

This command is an event and has thus no query and no \*RST value assigned.

### :CONFigure:SPECTrum:MODulation:COUNT 1 to 1000

This command sets the number of bursts used for determining the average and maximum values.

**Example:** " : CONF : SPEC : MOD : COUN 100 "

**Features:** \*RST value: 500 (GSM/DCS1800 phase I)  
200 otherwise  
SCPI: device-specific

**Modes:** BTS, MS

**:CONFigure:SPECtrum:MODulation:RANGe** ARFCn | TXBand | RXBand | COMBined | DCSRx1800 | G8Rxband | PCSRx1900

This command selects the frequency range for the measurement.

**Example:** " :CONF:SPEC:MOD:RANG TXB "

**Features:** \*RST value: ARFCn  
 SCPI: device-specific

**Modes:** BTS, MS

ARFCn ARFCN ± 1.8 MHz  
 TXBand TX-Band  
 RXBand RX-Band  
 COMBined ARFCN ± 1.8 MHz / TX-Band  
 DCSRx1800 RX band DCS 1800 (option FSE-K10 only)  
 G8Rxband RX band GSM 850 (option FSE-K10 only)  
 PCSRx1900 RX band PCS 1900 (option FSE-K10 only)

**:CONFigure:SPECtrum:MODulation:TGATe** ON | OFF

This command switches on or off the operating mode gating for the TX band. For TGATe OFF, 8 active slots are presumed.

**Example:** " :CONF:SPEC:MOD:TGAT ON "

**Features:** \*RST value: OFF  
 SCPI: device-specific

**Mode:** BTS

**:CONFigure:SPECtrum:SWITching[:IMMediate]**

This command selects measurement of the spectrum due to switching transients.

**Example:** " :CONF:SPEC:SWIT "

**Features:** \*RST value: --  
 SCPI: device-specific

**Modes:** BTS, MS

This command is an event and has thus no query and no \*RST value assigned.

**:CONFigure:SPECtrum:SWITching:COUNT** 1 to 1000

This command defines the number of bursts used for determining the average and maximum values.

**Example:** " :CONF:SPEC:SWIT:COUN 100 "

**Features:** \*RST value: 500 (GSM/DCS1800 phase I)  
 200 otherwise  
 SCPI: device-specific

**Modes:** BTS, MS

## CONFigure:SPURious Subsystem

This subsystem provides commands for configuring the measurements in the GSM BTS (FSE-K11) or GSM MS (FSE-K10) Analyzer mode used for measuring the power of spurious emissions.

COMMAND	PARAMETERS	UNIT	COMMENT
CONFigure			
:SPURious			
[:IMMediate]	--	--	no query, Option FSE-K11, FSE-K10
:COUNt	<numeric_value>	--	Option FSE-K11, FSE-K10
:RXBand	<numeric_value>	--	Option FSE-K11
:RANGe	TXBand   OTXBand   RXBand   IDLeband   COMBined	--	Option FSE-K11, FSE-K10
:STEP<1..26>	<Boolean>	--	Option FSE-K11, FSE-K10
:COUNt?			query only
:ANTenna	CONDUCTed   RADiated		Option FSE-K10

### :CONFigure:SPURious[:IMMediate]

This command selects measurement of spurious emissions.

**Example:** " :CONF:SPUR "

**Features:** \*RST value: --  
SCPI: device-specific

**Modes:** BTS, MS

This command is an event and has thus no query and no \*RST value assigned.

### :CONFigure:SPURious:COUNt 1 to 1000

This command sets the number of bursts used for determining the average and maximum values.

**Example:** " :CONF:SPUR:COUN 100 "

**Features:** \*RST value: 500 (GSM/DCS1800 phase I)  
200 otherwise  
SCPI: device-specific

**Modes:** BTS, MS

The number of bursts in measurements of the RX band is set by command  
:CONFigure:SPURious:RANGe:RXBand (FSE K11 only).

### :CONFigure:SPURious:COUNt:RXBand 1 to 1000

This command sets the number of bursts used for determining the average and maximum values in measurements of the RX band.

**Example:** " :CONF:SPUR:COUN:RXB 100 "

**Features:** \*RST value: 1  
SCPI: device-specific

**Modes:** BTS

**:CONFigure:SPURious:RANGe** TXBand | OTXBand | RXBand | IDLeband | COMBined

This command selects the frequency range used for the measurement.

**Example:** " :CONF:SPUR:RANG OTX "

**Features:** \*RST value: TXB  
SCPI: device-specific

**Modes:** BTS, MS

TXBand TX-Band  
OTXBand Not TX-Band  
RXBand RX-Band (option FSE-K11 only)  
IDLeband Idle band (option FSE-K10 only)  
COMBined TX-Band ± 2 MHz (option FSE-K11 only)

**:CONFigure:SPURious:STEP<1 to 26>** ON | OFF

This command selects a subband of the selected band for a spurious measurement.

Each band is divided up into 1 to max. 26 subbands, which are selected by the numerical suffix following STEP. A subband is selected for measurement by setting ON.

**Example:** " :CONF:SPUR:STEP24 ON "

**Feature:** \*RST value: ON  
SCPI: device-specific

**Mode:** BTS, MS

**:CONFigure:SPURious:STEP:COUNT?**

This command queries the number of subbands of the currently selected band for a spurious measurement.

**Example:** " :CONF:SPUR:STEP:COUNT? "

**Feature:** \*RST value: -  
SCPI: device-specific

**Mode:** BTS, MS

This command is a query and has therefore no \*RST value assigned.

**:CONFigure:SPURious:ANTenna** CONDucted | RADiated

This command selects the features of the measurement of spurious emissions.

**Example:** " :CONF:SPUR:ANT RAD "

**Feature:** \*RST value: COND  
SCPI: device-specific

**Mode:** MS

## DIAGnostic Subsystem

The DIAGnostic subsystem contains the commands which support instrument diagnostics for maintenance, service and repair. In accordance with the SCPI standard, all of these commands are device-specific.

COMMAND	PARAMETERS	UNIT	COMMENT
DIAGnostic :SERvice :INPut [:SElect]	CALibration   RF	--	
:FUNction	<numeric_value>,>numeric_value>	--	no query
:NSource	<Boolean>	--	
:INFO :CCOunt :ATTenuation<1 2 3>?			query only

### :DIAGnostic:SERvice:INPut[:SElect] CALibration | RF

This command toggles between the RF input on the front panel and the internal 120-MHz reference signal.

**Example:** " :DIAG:SERV:INP CAL "

**Features:** \*RST value: RF  
SCPI: device-specific

**Modes:** A, VA

### :DIAGnostic:SERvice:FUNction <numeric\_value>,<numeric\_value>...

This command activates a service function.

**Example:** " :DIAG:SERV:FUNC 2,0,2,12,1 "

**Features:** \*RST value: -  
SCPI: device-specific

**Modes:** A, VA

The service function is selected via five parameters: functional group number, board number, function number, parameter 1 and parameter 2 (see service manual).

### :DIAGnostic:SERvice:NSource ON | OFF

This command switches the 28-V supply at the rear connector of the noise source on and off.

**Example:** " :DIAG:SERV:NSO ON "

**Features:** \*RST value: OFF  
SCPI: device-specific

**Modes:** A, VA

**:DIAGnostic:INFO:CCOunt:ATTenuation<1 | 2 | 3>?**

This command queries the cycle counters of the attenuators. The suffix selects the attenuator:

1: Basic instrument                    2: Tracking Generator                    3: FSE-B13

The result is output as a list of values separated by a ','. The list starts with the date.

**Example:**                    " :DIAG:INFO:CCO:ATT? "

**Features:**                    \*RST value:    --  
                                 SCPI:                    device-specific

**Modes:**                    A, VA, MS, BTS

This command is a query and has therefore no \*RST value assigned.

## DISPlay Subsystem

The DISPlay subsystem controls the selection and presentation of textual and graphic information as well as of trace data on the display.

The displays in the split-screen mode are assigned to WINDow 1 (screen A) or 2 (screen B) .

COMMAND	PARAMETERS	UNIT	COMMENT
DISPlay			
:FORMat	SINGle   SPLit		
:PROgram			
[:MODE]	<Boolean>		Controller option
:ANNotation			
:FREQuency	<Boolean>		
:LOGO	<Boolean>		
:CMAP<1 to 13>			
:DEFault			
:HSL	0 to 100,0 to 100,0 to 100		
:PDEFined	BLACK   BLUE   BROWn   GREen   CYAN   RED   MAGenta   YELLow   WHITE   DGRay   LGRay   LBLue   LGRreen   LCYan   LRED   LMAGenta		
[:WINDow<1 2>]			
:SElect			
:TEXT			
[:DATA]	<string>		
:STATe	<Boolean>		
:TIME	<Boolean>		
:MINFo	<Boolean>		
:TRACe<1 to 4>			
:X			
[:SCALE]			Vector Signal Analysis
:RVALue	<numeric_value>		
:ZOOM	<Boolean>		
[:FREQuency]			
:START	<numeric_value>	HZ	
:STOP	<numeric_value>	HZ	
:CENTer	<numeric_value>	HZ	
:Y			
[:SCALE]	<numeric_value>	DB	
:MODE	ABSolute   RELative		
:RLEVel	<numeric_value>	DBM	
:OFFSet	<numeric_value>	DB	
:RVALue	<numeric_value>	DBM DB HZ  DEG RAD	
:AUTO	<Boolean>		Analyzer mode only
:RPOSition	<numeric_value>	PCT	Vector Signal Analysis or Tracking Generator
:PDIVision	<numeric_value>	DBM DB HZ  DEG RAD	Vector Signal Analysis
:SPACing	LINear LOGarithmic PERCent	--	

COMMAND	PARAMETERS	UNIT	COMMENT
[[:WINDow<1 2>] :TRACe<1 to 4> :MODE :CWRite :ANALog :HCONtinuous [:STATe] :SYMBol :EYE :COUNT :PSAVe [:STATe] HOLDoff	WRITe   VIEW   AVERAge   MAXHold   MINHold <Boolean> <Boolean> <Boolean> <Boolean> DOTS   BARS   OFF <numeric_value> <Boolean> <numeric_value>	-- -- -- -- -- SYM	Vector Signal Analysis Vector Signal Analysis Vector Signal Analysis

**:DISPlay:FORMat** SINGLE | SPLit

This command switches the test result display between FULL SCREEN and SPLIT SCREEN.

- Example:** " :DISP:FORM SPL "
- Features:** \*RST value: SINGLE  
SCPI: device-specific
- Modes:** A, VA

**:DISPlay:PROGram[:MODE]** ON | OFF

This command switches the display between the measuring instrument and the computer function.

- Example:** " :DISP:PROG ON "
- Features:** \*RST value: OFF  
SCPI: device-specific
- Modes:** A, VA, BTS, MS

This command is only valid in conjunction with Option Computer Function (FSE-B15).

**:DISPlay:ANNotation:FREQuency** ON | OFF

This command switches the x-axis annotation on or off.

- Example:** " :DISP:ANN:FREQ OFF "
- Features:** \*RST value: ON  
SCPI: conforming
- Modes:** A, VA, BTS, MS

**:DISPlay:LOGO** ON | OFF

This command switches the factory logo on the screen on or off.

- Example:** " :DISP:LOGO OFF "
- Features:** \*RST value: ON  
SCPI: device-specific
- Modes:** A, VA, BTS, MS

**:DISPlay:CMAP<1 to 13>:DEFault**

This command resets the screen colors of the instrument to their default settings.

**Example:** " :DISP:CMAP:DEF "

**Features:** \*RST value: --  
SCPI: conforming

**Modes:** A, VA, BTS, MS

This command is an event and has thus no query and no \*RST value assigned. The numeric suffix in CMAP<1 to 13> is not significant.

**:DISPlay:CMAP<1 to 13>:HSL <hue>,<sat>,<lum>**

This command defines the color table of the instrument.

**Parameter:** hue = TINT  
sat = SATURATION  
lum = BRIGHTNESS

The value range is 0.0 to 100.0 for all parameters.

**Example:** " :DISP:CMAP2:HSL 0.3,0.8,1.0 "

**Features:** \*RST value: --  
SCPI: conforming

**Modes:** A, VA, BTS, MS

To each numeric suffix of CMAP is assigned one or several picture elements which can be modified by varying the corresponding color setting. The following assignment applies:

CMAP1	Trace 1	CMAP8	Soft key State Data Entry
CMAP2	Trace 2	CMAP9	Soft key State OFF
CMAP3	Trace 3	CMAP10	Soft key Shade
CMAP4	Trace 4	CMAP11	Text
CMAP5	Marker	CMAP12	Title
CMAP6	Grid	CMAP13	Background
CMAP7	softkey State On		

The values set are not changed by \*RST.

**:DISPlay:CMAP<1 to 13>:PDEFined** BLACK | BLUE | BROWn | GREen | CYAN | RED | MAGenta | YELLow | WHITE | DGRay | LGRay | LBLue | LGReen | LCYan | LRED | LMAGenta

This command defines the color table of the instrument using predefined color values. To each numeric suffix of CMAP is assigned one or several picture elements which can be modified by varying the corresponding color setting. The same assignment as for :DISPlay:CMAP<1 to 13>:HSL applies.

**Example:** " :DISP:CMAP2:PDEF GRE "

**Features:** \*RST value: --  
SCPI: conforming

**Modes:** A, VA, BTS, MS

The values set are not changed by \*RST.

**:DISPlay[:WINDow<1|2>]:SElect**

This command selects the active measurement window via the numeric suffix in WINDow . This way, a switch is possible from FULL SCREEN A to FULL SCREEN B (see example).

**Example:**           ":DISP:FORM SPLit"  
                  ":DISP:WIND2:SEL"  
                  ":DISP:FORM SINGLe"

**Features:**       \*RST value:    --  
                  SCPI:           device-specific

**Modes:**           A, VA

This command is an event and has thus no query and no \*RST value assigned.

**:DISPlay[:WINDow<1|2>]:MINFo ON | OFF**

This command switches the marker info list on the screen on or off.

**Example:**           ":DISP:MINF ON"

**Features:**       \*RST value:    OFF  
                  SCPI:           device-specific

**Modes:**           A, VA, BTS, MS

**:DISPlay[:WINDow<1|2>]:TEXT[:DATA] <string>**

This command defines a comment (max. 50 characters) which can be displayed on the screen.

**Example:**           ":DISP:TEXT "signal/noise power measurement"

**Features:**       \*RST value:    "" (empty)  
                  SCPI:           conforming

**Modes:**           A, VA, BTS, MS

The numeric suffix in WINDow<1|2> is not significant.

**:DISPlay[:WINDow<1|2>]:TEXT:STATe ON | OFF**

This command switches on or off the screen display of the comment.

**Example:**           ":DISP:TEXT:STAT ON"

**Features:**       \*RST value:    OFF  
                  SCPI:           conforming

**Modes:**           A, VA, BTS, MS

The numeric suffix in WINDow<1|2> is not significant.

**:DISPlay[:WINDow<1|2>]:TIME ON | OFF**

This command switches on or off the screen display of date and time.

**Example:** " :DISP:TIME ON"

**Features:** \*RST value: OFF  
SCPI: device-specific

**Modes:** A, VA, BTS, MS

The numeric suffix in WINDow<1|2> is not significant.

**:DISPlay[:WINDow<1|2>]:TRACe<1 to 4>:X[:SCALe]:RVALue <numeric\_value>**

This command defines the reference value for the X-axis of the measuring diagram.

**Example:** " :DISP:TRAC:X:RVAL 20SYM"

**Features:** \*RST value: -  
SCPI: device-specific

**Mode:** VA-D

**:DISPlay[:WINDow<1|2>]:TRACe<1 to 4>:X[:SCALe]:ZOOM ON | OFF**

This command displays the zoomed current frequency range in the opposite window of the split screen representation.

**Example:** " :DISP:TRAC:X:ZOOM ON"

**Features:** \*RST value: OFF  
SCPI: device-specific

**Mode:** A-F

The numeric suffix in TRACe<1 to 4> is not significant.

**:DISPlay[:WINDow<1|2>]:TRACe<1 to 4>:X[:SCALe]:ZOOM[:FREQuency]:START <numeric\_value>**

This command defines the start frequency of the zoomed display range. The value must lie between start and stop frequency of the original range.

**Example:** " :DISP:TRAC:X:ZOOM:STAR 100MHZ "

**Features:** \*RST value: -- (depending on the current frequency setting)  
SCPI: device-specific

**Mode:** A-F

The numeric suffix in TRACe<1 to 4> is not significant.

**:DISPlay[:WINDow<1|2>]:TRACe<1 to 4>:X[:SCALe]:ZOOM[:FREQuency]:STOP <numeric\_value>**

This command defines the stop frequency of the zoomed display range. The value must lie between start and stop frequency of the original range.

**Example:** " :DISP:TRAC:X:ZOOM:STOP 200MHZ "

**Features:** \*RST value: -- (depending on the current frequency setting)  
SCPI: device-specific

**Mode:** A-F

The numeric suffix in TRACe<1 to 4> is not significant.

**:DISPlay[:WINDow<1|2>]:TRACe<1 to 4>:X[:SCALe]:ZOOM[:FREQUency]:CENTer**  
 <numeric\_value>

This command shifts the zoomed frequency range to the specified center frequency.

**Example:** " :DISP:TRAC:X:ZOOM:CENT 1GHZ "

**Features:** \*RST value: -- (depending on the current frequency setting)  
 SCPI: device-specific

**Mode:** A-F

The numeric suffix in TRACe<1 to 4> is not significant.

**:DISPlay[:WINDow<1|2>]:TRACe<1 to 4>:Y[:SCALe]** 10dB to 200dB

This command defines the display range of the Y-axis (level axis) with logarithmic scaling (DISP:TRAC:Y:SPAC LOG).

**Example:** " :DISP:TRAC:Y 110dB "

**Features:** \*RST value: 100dB  
 SCPI: device-specific

**Mode:** A

For linear scaling, (DISP:TRAC:Y:SPAC LIN | PERC) the display range is fixed and cannot be set. The numeric suffix in TRACe<1 to 4> is not significant.

**:DISPlay[:WINDow<1|2>]:TRACe<1 to 4>:Y[:SCALe]:MODE** ABSolute | RELative

This command defines the scale of the y-axis (absolute or relative).

**Example:** " :DISP:TRAC:Y:MODE REL "

**Features:** \*RST value: ABS  
 SCPI: device-specific

**Mode:** A

As long as SYSTem:DISPlay is set to OFF, this command does not directly influence the screen. The numeric suffix in TRACe<1 to 4> is not significant.

**:DISPlay[:WINDow<1|2>]:TRACe<1 to 4>:Y[:SCALe]:RLEVel** -200dBm to 200dBm

This command defines the reference level.

**Example:** " :DISP:TRAC:Y:RLEV -60dBm "

**Features:** \*RST value: -20dBm  
 SCPI: conforming

**Modes:** A, VA

The numeric suffix in TRACe<1 to 4> is not significant.

**:DISPlay[:WINDow<1|2>]:TRACe<1 to 4>:Y[:SCALe]:RLEVel:OFFSet** -200dB to 200dB

This command defines the offset of the reference level.

**Example:** " :DISP:TRAC:Y:RLEV:OFFS -10dB "

**Features:** \*RST value: 0dB  
SCPI: conforming

**Modes:** A, VA

The numeric suffix in TRACe<1 to 4> is not significant.

**:DISPlay[:WINDow<1|2>]:TRACe<1 to 4>:Y[:SCALe]:RVALue** <numeric\_value>

This command defines the reference value for the y-axis of the measurement diagram.

This defines the upper limit of the display range, the corresponding parameters of the manual control vary according to the measurement mode.

In the spectrum analysis mode the setting corresponds to the parameter MAX LEVEL.

In the vector signal analysis mode the setting corresponds to the parameter REFERENCE VALUE Y AXIS.

IF option tracking generator is fitted and the normalization in the analyzer mode is activated, the value corresponds to the parameter REFERENCE VALUE.

**Example:** " :DISP:TRAC:Y:RVAL -20dBm " (spectrum analysis)  
" :DISP:TRAC:Y:RVAL +1.20 " (vector signal analysis)  
" :DISP:TRAC:Y:RVAL 0 " (tracking generator)

**Features:** \*RST value: - coupled to reference level  
0 (vector signal analysis)  
0 dB (tracking generator with active normalization)  
SCPI: device specific

**Modes:** A, VA

The numeric suffix in TRACe<1 to 4> is not significant.

**:DISPlay[:WINDow<1|2>]:TRACe<1 to 4>:Y[:SCALe]:RVALue:AUTO** ON | OFF

This command defines whether the reference value for the y-axis of the measured diagram is coupled to the reference level (default) or can be set independently.

**Example:** " :DISP:TRAC:Y:RVAL:AUTO ON "

**Features:** \*RST value: ON  
SCPI: device-specific

**Mode:** A

This command is available in the analyzer mode only. The numeric suffix in TRACe<1 to 4> is not significant.

**:DISPlay[:WINDow<1|2>]:TRACe<1 to 4>:Y[:SCALe]:RPOsition** 0 to 100PCT

This command defines the position of the reference value.

**Example:** " :DISP:TRAC:Y:RPOS 50PCT "

**Features:** \*RST value: 100PCT (tracking generator)  
50PCT (vector analyzer)  
SCPI: conforming

**Modes:** A, VA

The numeric suffix in TRACe<1 to 4> is not significant. This command is only valid in conjunction with option Tracking Generator or in vector analyzer mode.

**:DISPlay[:WINDow<1|2>]:TRACe<1 to 4>:Y[:SCALe]:PDIVision** <numeric\_value>

This command defines the scaling of the Y-axis in the current unit.

**Example:** " :DISP:TRAC:Y:PDIV +1.20 "

**Features:** \*RST value: -  
SCPI: conforming

**Mode:** VA

The numeric suffix in TRACe<1 to 4> is not significant.

**:DISPlay[:WINDow<1|2>]:TRACe<1 to 4>:Y:SPACing** LINear | LOGarithmic | PERCent

This command toggles between linear and logarithmic display.

**Example:** " :DISP:TRAC:Y:SPAC LIN "

**Features:** \*RST value: LOGarithmic  
SCPI: conforming

**Mode:** A

The linear display can be LIN/% (PERCent) or LIN/dB (LINear). The numeric suffix in TRACe<1 to 4> is not significant.

**:DISPlay[:WINDow<1|2>]:TRACe<1 to 4>:MODE** WRITe | VIEW | AVERAge | MAXHold | MINHold

This command defines the type of display and the evaluation of the traces.

**Example:** " :DISP:TRAC3:MODE MAXH "

**Features:** \*RST value: WRITe for TRACe1, STATe OFF for TRACe2 to 4  
SCPI: device-specific

**Modes:** A, VA, BTS, MS

**:DISPlay[:WINDow<1|2>]:TRACe<1 to 4>:MODE:CWRite** ON | OFF

This command selects continuous display of the measured values (continuous write).

**Example:** " :DISP:TRAC3:MODE:CWR ON "

**Features:** \*RST value: OFF  
SCPI: device-specific

**Mode:** VA

**:DISPlay[:WINDow<1|2>]:TRACe<1 to 4>:MODE:ANALog** ON | OFF

This command selects continuous display of the measured values in the analyzer mode (analog trace).

**Example:** " :DISP:TRAC3:MODE:ANAL ON "

**Features:** \*RST value: OFF  
SCPI: device-specific

**Mode:** A

**:DISPlay[:WINDow<1|2>]:TRACe<1 to 4>:MODE:HCONtinuous** ON | OFF

This command defines whether the traces in the min hold/max hold mode are reset after some definite parameter changes.

**Example:** " :DISP:TRAC3:MODE:HCON ON "

**Features:** \*RST value: OFF  
SCPI: device-specific

**Mode:** A

OFF The traces are reset after some definite parameter changes.

ON This mechanism is switched off.

In general, parameter changes require a restart of the measurement before results are evaluated (e.g. with markers). For those changes that are known to require a new measurement (e.g. modification of the span), the trace is automatically reset so that erroneous evaluations of previous results are avoided. This mechanism can be switched off for those exceptional cases where the described behavior is unwelcome.

The numeric suffix in WINDow<1|2> is not significant.

**:DISPlay[:WINDow<1|2>]:TRACe<1 to 4>[:STATe]** ON | OFF

This command switches the display of the corresponding trace on or off.

**Example:** " :DISP:TRAC3 ON "

**Features:** \*RST value: ON for TRACe1, OFF for TRACe2 to 4  
SCPI: conforming

**Modes:** A, VA, BTS, MS

**:DISPlay[:WINDow<1|2>]:TRACe<1 to 4>:SYMBol DOTS | BARS | OFF**

This command determines the display of the points of decision on the trace.

**Example:** " :DISP:TRAC:SYMB BARS "

**Features:** \*RST value: OFF  
SCPI: device-specific

**Mode:** VA-D

**:DISPlay[:WINDow<1|2>]:TRACe<1 to 4>:EYE:COUNT 1 to Result Length**

This command determines the display range of the eye diagram in symbols.

**Example:** " :DISP:TRAC:EYE:COUNT 5 "

**Features:** \*RST value: 2  
SCPI: device-specific

**Mode:** VA-D

**:DISPlay:PSAVe[:STATe] ON | OFF**

This command switches the screen saver mode on or off.

**Example** " :DISP:PSAV ON "

**Features:** \*RST value: OFF  
SCPI: device-specific

**Modes:** A, VA, BTS, MS

**:DISPlay:PSAVe:HOLDoff <numeric\_value>**

This command determines the time after which the screen saver is switched on. Values are input in minutes, the valid range is 1 to 100 minutes.

**Example:** " :DISP:PSAV:HOLD 10 "

**Features:** \*RST value: 1  
SCPI: device-specific

**Modes:** A, VA, BTS, MS

## FETCh Subsystem

The FETCh subsystem contains commands for reading out results of complex measurement tasks like those provided by options GSM BTS Analyzer, FSE-K11, or GSM MS Analyzer, FSE-K10. The FETCh-subsystem is closely linked to the functions of the CONFigure and READ-subsystems, where the measurement sequences are configured, the measurements are started and their results are queried.

### FETCh:BURSt Subsystem

This subsystem provides the commands for reading out results of measurements in the GSM BTS (option FSE-K11) or GSM MS (option FSE-K10) Analyzer mode, which are performed on individual bursts (Carrier Power, Phase/Frequency Error) without starting the measurement by themselves.

COMMAND	PARAMETERS	UNIT	COMMENT
FETCh			Option FSE-K11 or FSE-K10
:BURSt			
:PERRor			
:RMS			
:STATus?			query only
:AVERage?	--		query only
:MAXimum?	--		query only
:PEAK			
:STATus?			query only
:AVERage?	--		query only
:MAXimum?	--		query only
:FERRor			
:STATus?			query only
:AVERage?	--		query only
:MAXimum?	--		query only
:POWer	--		
[:IMMEdiate]?	--		query only
:ALL?	--		query only
:MACCuracy			
:RMS			
:STATus?			query only
:AVERage?	--		query only
:MAXimum?	--		query only
:PEAK			
:STATus?			query only
:AVERage?	--		query only
:MAXimum?	--		query only
:OSUPpress			
:STATus?			query only
:AVERage?	--		query only
:MAXimum?	--		query only
:PERCentile			
:STATus?			query only
:AVERage?	--		query only
:MAXimum?	--		query only
:FREQuency			
:STATus?			query only
:AVERage?	--		query only
:MAXimum?	--		query only

**:FETCh:BURSt:PERRor:RMS:STATus?**

This command reads out the status of the RMS-measurement of the phase error taken over the selected number of bursts.

0: failed, 1: passed

**Example:** " :FETC: BURS: PERR: RMS: STAT? "

**Features:** \*RST value: --  
 SCPI: device-specific

**Modes:** BTS, MS

If no measurement has been performed yet, a query error results.  
 This command is a query and has therefore no \*RST value assigned.  
 It is available only when measurement of the phase/frequency error is selected (see :CONFigure: BURSt: PFERror).

**:FETCh:BURSt:PERRor:RMS:AVERAge?**

This command reads out the average of the RMS-measurement of the phase error taken over the selected number of bursts.

**Example:** " :FETC: BURS: PERR: RMS: AVER? "

**Features:** \*RST value: --  
 SCPI: device-specific

**Modes:** BTS, MS

If no measurement has been performed yet, a query error results.  
 This command is a query and has therefore no \*RST value assigned.  
 It is available only when measurement of the phase/frequency error is selected (see :CONFigure: BURSt: PFERror).

**:FETCh:BURSt:PERRor:RMS:MAXimum?**

This command reads out the maximum of the RMS-measurement of the phase error for the selected number of bursts.

**Example:** " :FETC: BURS: PERR: RMS: MAX? "

**Features:** \*RST value: --  
 SCPI: device-specific

**Modes:** BTS, MS

If no measurement has been performed yet, a query error results.  
 This command is a query only and therefore has no \*RST value assigned. It is available only when measurement of the phase/frequency error is selected (see :CONFigure: BURSt: PFERror).

**:FETCh:BURSt:PERRor:PEAK:STATus?**

This command reads out the status of the peak measurement of the phase error taken over the selected number of bursts.

0: failed, 1: passed

**Example:** " :FETC:BURS:PERR:PEAK:STAT? "

**Features:** \*RST value --  
SCPI: device-specific

**Modes:** BTS, MS

If no measurement has been performed yet, a query error results.

This command is a query only and therefore has no \*RST value assigned. It is available only if measurement of the phase/frequency error is selected (see :CONFigure:BURSt:PFError).

**:FETCh:BURSt:PERRor:PEAK:AVERage?**

This command reads out the average of the peak measurement of the phase error taken over the selected number of bursts.

**Example:** " :FETC:BURS:PERR:PEAK:AVER? "

**Features:** \*RST value: --  
SCPI: device-specific

**Modes:** BTS, MS

If no measurement has been performed yet, a query error results.

This command is a query only and therefore has no \*RST value assigned. It is available only if measurement of the phase/frequency error is selected (see :CONFigure:BURSt:PFError).

**:FETCh:BURSt:PERRor:PEAK:MAXimum?**

This command reads out the maximum of the peak measurement of the phase error for the selected number of bursts.

**Example:** " :FETC:BURS:PERR:PEAK:MAX? "

**Features:** \*RST value: --  
SCPI: device-specific

**Modes:** BTS, MS

If no measurement has been performed yet, a query error results.

This command is a query only and therefore has no \*RST value assigned. It is available only when measurement of the phase/frequency error is selected (see :CONFigure:BURSt:PFError).

**:FETCh:BURSt:FERRor:STATus?**

This command reads out the status of the measurement of the frequency error taken over the selected number of bursts.

0: failed, 1: passed

**Example:** " :FETC:BURS:FERR:STAT? "

**Features:** \*RST value: --  
SCPI: device specific

**Modes:** BTS, MS

If no measurement has been performed yet, a query error results.

This command is a query only and therefore has no \*RST value assigned. It is available only if measurement of the phase/frequency error is selected (see :CONFIgure:BURSt:PFERRor).

**:FETCh:BURSt:FERRor:AVERage?**

This command reads out the average of the measurement of the frequency error taken over the selected number of bursts.

**Example:** " :FETC:BURS:FERR:AVER? "

**Features:** \*RST value: --  
SCPI: device-specific

**Modes:** BTS, MS

If no measurement has been performed yet, a query error results.

This command is a query only and therefore has no \*RST value assigned. It is available only if measurement of the phase/frequency error is selected (see :CONFIgure:BURSt:PFERRor).

**:FETCh:BURSt:FERRor:MAXimum?**

This command reads out the maximum frequency error measured over the selected number of bursts.

**Example:** " :FETC:BURS:FERR:MAX? "

**Features:** \*RST value: --  
SCPI: device-specific

**Modes:** BTS, MS

If no measurement has been performed yet, a query error results.

This command is a query only and therefore has no \*RST value assigned. It is available only if measurement of the phase/frequency error is selected (see :CONFIgure:BURSt:PFERRor).

**:FETCh:BURSt:POWer[:IMMediate]?****Carrier Power measurement (:CONFigure:MS:POWer:SINGle:STATe OFF):**

This command reads out the result of the last step performed during the measurement of the output power of the base station or mobile.

**Parameter:** The result is output as an ASCII string in the following format:

<Static Power Ctrl>,<Dyn Power Ctrl>,<Rat-Level>,<Act-Level>,<Delta>,<Status> with

<Static Power Ctrl>: current static power control level  
 <Dyn Power Ctrl>: current dynamic power control level  
 <Rat-Level>: Rated value for the current power control level acc. to standard dBm  
 <Act-Level>: measured power in dBm  
 <Delta>: Difference between the measured power and the power at the previous static/dynamic power control level.  
 <Status>: Result of limit check in character data form:  
           PASSED      no limits exceeded  
           FAILED      limit exceeded

**Example:**       ":FETC:BURS:POW?"  
 Result:  0,0,43,44.1,0,PASSED

**Features:**     \*RST value:  --  
                   SCPI:        device-specific

**Modes:**        BTS, MS

**Carrier Power Individual measurement (:CONFigure:MS:POWer:SINGle:STATe ON)**

This command reads out the result of the last step performed during the measurement of the output power of the base station or mobile.

**Parameter:** The result is output as an ASCII string in the following format:

<Static Power Ctrl>,<Dyn Power Ctrl>,<Rat-Level>,<Act-Level>,<RBW>,<ARFCN>,<CF>,<Attenuation>,<Number of bursts>,<Status>

<Static Power Ctrl>: current static power control level  
 <Dyn Power Ctrl>: current dynamic power control level  
 <Rat-Level>: Rated value for the current power control level acc. to standard dBm  
 <Act-Level>: measured power in dBm  
 <RBW>: resolution Bandwidth in kHz  
 <ARFCN>: channel number  
 <CF>: carrier frequency in Hz  
 <Att>: external attenuation in dBm  
 <Number of burst>: number of bursts  
 <Status>: result of limit check in character data form:  
           PASSED      no limits exceeded  
           FAILED      limit exceeded

**Example:**       ":READ:BURS:POW?"  
 Result:  0,3,37,20.6915,1000,2,8.904E+008,20,1,FAILED

**Features:**     \*RST value:  --  
                   SCPI:        device-specific

**Modes:**        BTS, MS

If no measurement has been performed yet, a query error results.

This command is a query only and therefore has no \*RST value assigned. It is available only if measurement of the phase/frequency error is selected (see :CONFigure:BURSt:PFError).

**:FETCh:BURSt:POWer:ALL?**

**Carrier Power measurement (:CONFIgure:MS:POWer:SINGle:STATe OFF):**

This command reads out the results of all individual steps during the measurement of the output power of the base station or mobile.

**Parameter:** The result is output as an ASCII string in the following format:

<Static Power Ctrl>,<Dyn Power Ctrl>,<Rat-Level>,<Act-Level>, <Delta>,<Status> with

<Static Power Ctrl>: current static power control level  
 <Dyn Power Ctrl>: current dynamic power control level  
 <Rat-Level>: Rated value for the current power control level acc. to standard dBm  
 <Act-Level>: measured power in dBm  
 <Delta>: Difference between the measured power and the power at the previous static/dynamic power control level.  
 <Status>: Result of limit check in character data form:  
 PASSED no limits exceeded  
 FAILED limit exceeded

**Example:** " :FETC:BURS:POW:ALL? "  
 Result: 0,0,43,44.1,0,PASSED,1,0,41,42.5,1.6,PASSED,1,1,35,32.5,5.6,FAILED

**Features:** \*RST value: --  
 SCPI: device-specific

**Modes:** BTS, MS

**Carrier Power Individual measurement (:CONFIgure:MS:POWer:SINGle:STATe ON)**

This command reads out the results of all individual steps during the measurement of the output power of the base station or mobile.

**Parameter:** The result is output as an ASCII string in the following format:

<Static Power Ctrl>,<Dyn Power Ctrl>,<Rat-Level>,<Act-Level>,<RBW>,<ARFCN>,<CF>,<Attenuation>,<Number of bursts>,<Status>

<Static Power Ctrl>: current static power control level  
 <Dyn Power Ctrl>: current dynamic power control level  
 <Rat-Level>: Rated value for the current power control level acc. to standard dBm  
 <Act-Level>: measured power in dBm  
 <RBW>: resolution Bandwidth in kHz  
 <ARFCN>: channel number  
 <CF>: carrier frequency in Hz  
 <Att>: external attenuation in dBm  
 <Number of burst>: number of bursts  
 <Status>: result of limit check in character data form:  
 PASSED no limits exceeded  
 FAILED limit exceeded

**Example:** " :FETC:BURS:POW:ALL? "  
 Result: 0,3,37,20.6915,1000,2,8.904E+008,20,1,FAILED,0,3,37,20.3597,1000,2,8.904E+008,20,1,FAILED

**Features:** \*RST value: --  
 SCPI: device-specific

**Modes:** BTS, MS

If no measurement has been performed yet, a query error results. This command is a query only and therefore has no \*RST value assigned. It is available only if measurement of the phase/frequency error is selected (see :CONFIgure:BURSt:PFERror).

**:FETCh:BURSt:MACCuracy:RMS:STATus?**

This command reads out the status of the RMS measurement of the modulation accuracy taken over the selected number of bursts.

0: failed, 1: passed

**Example:** " :FETC: BURS: MACC: RMS: STAT? "

**Features:** \*RST value: --  
SCPI: device-specific

**Modes:** BTS, MS

If no measurement has been performed yet, a query error results.

This command is a query only and therefore has no \*RST value assigned. It is available only if measurement of the modulation accuracy is selected (see `CONFigure: BURSt: MACCuracy`).

**:FETCh:BURSt:MACCuracy:RMS:AVERAge?**

This command reads out the average of the RMS measurement of the modulation accuracy taken over the selected number of bursts.

**Example:** " :FETC: BURS: MACC: RMS: AVER? "

**Features:** \*RST value: --  
SCPI: device-specific

**Modes:** BTS, MS

If no measurement has been performed yet, a query error results.

This command is a query only and therefore has no \*RST value assigned. It is available only if measurement of the modulation accuracy is selected (see `CONFigure: BURSt: MACCuracy`).

**:FETCh:BURSt:MACCuracy:RMS:MAXimum?**

This command reads out the maximum of the RMS measurement of the modulation accuracy taken over the selected number of bursts.

**Example:** " :FETC: BURS: MACC: RMS: MAX? "

**Features:** \*RST value: --  
SCPI: device-specific

**Modes:** BTS, MS

If no measurement has been performed yet, a query error results.

This command is a query only and therefore has no \*RST value assigned. It is available only if measurement of the modulation accuracy is selected (see `CONFigure: BURSt: MACCuracy`).

**:FETCh:BURSt:MACCuracy:PEAK:STATus?**

This command reads out the status of the PEAK measurement of the modulation accuracy taken over the selected number of bursts.

0: failed, 1: passed

**Example:** " :FETC: BURS: MACC: PEAK: STAT? "

**Features:** \*RST value: --  
SCPI: device-specific

**Modes:** BTS, MS

If no measurement has been performed yet, a query error results.

This command is a query only and therefore has no \*RST value assigned. It is available only if measurement of the modulation accuracy is selected (see `CONFigure: BURSt: MACCuracy`).

**:FETCh:BURSt:MACCuracy:PEAK:AVERAge?**

This command reads out the average of the PEAK measurement of the modulation accuracy taken over the selected number of bursts.

**Example:** " :FETC: BURS: MACC: PEAK: AVER? "

**Features:** \*RST value: --  
SCPI: device-specific

**Modes:** BTS, MS

If no measurement has been performed yet, a query error results.

This command is a query only and therefore has no \*RST value assigned. It is available only if measurement of the modulation accuracy is selected (see `CONFigure: BURSt: MACCuracy`).

**:FETCh:BURSt:MACCuracy:PEAK:MAXimum?**

This command reads out the maximum of the PEAK measurement of the modulation accuracy taken over the selected number of bursts.

**Example:** " :FETC: BURS: MACC: PEAK: MAX? "

**Features:** \*RST value: --  
SCPI: device-specific

**Modes:** BTS, MS

If no measurement has been performed yet, a query error results.

This command is a query only and therefore has no \*RST value assigned. It is available only if measurement of the modulation accuracy is selected (see `CONFigure: BURSt: MACCuracy`).

**:FETCh:BURSt:MACCuracy:OSUPpress:STATus?**

This command reads out the status of the original offset suppression measurement of the modulation accuracy taken over the selected number of bursts.

0: failed, 1: passed

**Example:** " :FETC: BURS: MACC: OSUP: STAT? "

**Features:** \*RST value: --  
SCPI: device-specific

**Modes:** BTS, MS

If no measurement has been performed yet, a query error results.

This command is a query only and therefore has no \*RST value assigned. It is available only if measurement of the modulation accuracy is selected (see `CONFigure: BURSt: MACCuracy`).

**:FETCh:BURSt:MACCuracy:OSUPpress:AVERAge?**

This command reads out the average of the original offset suppression measurement of the modulation accuracy taken over the selected number of bursts.

**Example:** " :FETC: BURS: MACC: OSUP: AVER? "

**Features:** \*RST value: --  
SCPI: device-specific

**Modes:** BTS, MS

If no measurement has been performed yet, a query error results.

This command is a query only and therefore has no \*RST value assigned. It is available only if measurement of the modulation accuracy is selected (see `CONFigure: BURSt: MACCuracy`).

**:FETCh:BURSt:MACCuracy:OSUPpress:MAXimum?**

This command reads out the maximum of the original offset suppression measurement of the modulation accuracy taken over the selected number of bursts.

**Example:** " :FETC: BURS: MACC: OSUP: MAX? "

**Features:** \*RST value: --  
SCPI: device-specific

**Modes:** BTS, MS

If no measurement has been performed yet, a query error results.

This command is a query only and therefore has no \*RST value assigned. It is available only if measurement of the modulation accuracy is selected (see `CONFigure: BURSt: MACCuracy`).

**:FETCh:BURSt:MACCuracy:PERCentile:STATus?**

This command reads out the status of the 95% percentile measurement of the modulation accuracy taken over the selected number of bursts.

0: failed, 1: passed

**Example:** " :FETC: BURS: MACC: PERC: STAT? "

**Features:** \*RST value: --  
SCPI: device-specific

**Modes:** BTS, MS

If no measurement has been performed yet, a query error results.

This command is a query only and therefore has no \*RST value assigned. It is available only if measurement of the modulation accuracy is selected (see `CONFigure: BURSt: MACCuracy`).

**:FETCh:BURSt:MACCuracy:PERCentile:AVERage?**

This command reads out the average of the 95% percentile measurement of the modulation accuracy taken over the selected number of bursts.

**Example:** " :FETC: BURS: MACC: PERC: AVER? "

**Features:** \*RST value: --  
SCPI: device-specific

**Modes:** BTS, MS

If no measurement has been performed yet, a query error results.

This command is a query only and therefore has no \*RST value assigned. It is available only if measurement of the modulation accuracy is selected (see `CONFigure: BURSt: MACCuracy`).

**:FETCh:BURSt:MACCuracy:PERCentile:MAXimum?**

This command reads out the maximum of the 95% percentile measurement of the modulation accuracy taken over the selected number of bursts.

**Example:** " :FETC: BURS: MACC: PERC: MAX? "

**Features:** \*RST value: --  
SCPI: device-specific

**Modes:** BTS, MS

If no measurement has been performed yet, a query error results.

This command is a query only and therefore has no \*RST value assigned. It is available only if measurement of the modulation accuracy is selected (see `CONFigure: BURSt: MACCuracy`).

**:FETCh:BURSt:MACCuracy:FREQuency:STATus?**

This command reads out the status of the frequency error measurement of the modulation accuracy taken over the selected number of bursts.

0: failed, 1: passed

**Example:** " :FETC:BURS:MACC:FREQ:STAT? "

**Features:** \*RST value: --  
SCPI: device-specific

**Modes:** BTS, MS

If no measurement has been performed yet, a query error results.

This command is a query only and therefore has no \*RST value assigned. It is available only if measurement of the modulation accuracy is selected (see `CONFigure:BURSt:MACCuracy`).

**:FETCh:BURSt:MACCuracy:FREQuency:AVERage?**

This command reads out the average of the frequency error measurement of the modulation accuracy taken over the selected number of bursts.

**Example:** " :FETC:BURS:MACC:FREQ:AVER? "

**Features:** \*RST value: --  
SCPI: device-specific

**Modes:** BTS, MS

If no measurement has been performed yet, a query error results.

This command is a query only and therefore has no \*RST value assigned. It is available only if measurement of the modulation accuracy is selected (see `CONFigure:BURSt:MACCuracy`).

**:FETCh:BURSt:MACCuracy:FREQuency:MAXimum?**

This command reads out the maximum of the frequency error measurement of the modulation accuracy taken over the selected number of bursts.

**Example:** " :FETC:BURS:MACC:FREQ:MAX? "

**Features:** \*RST value: --  
SCPI: device-specific

**Modes:** BTS, MS

If no measurement has been performed yet, a query error results.

This command is a query only and therefore has no \*RST value assigned. It is available only if measurement of the modulation accuracy is selected (see `CONFigure:BURSt:MACCuracy`).

## FETCh:PTEMplate Subsystem

This subsystem provides the commands for reading out results of measurements in the GSM BTS (FSE-K11) or GSM MS (FSE-K10) Analyzer mode which are used to determine the carrier power of , power versus time measurement without first restarting a new measurement.

Command	Parameter	Unit	Comment
FETCh :PTEMplate :REFerence?			Option FSE-K11, FSE-K10  query only

### :FETCh:PTEMplate:REFerence?

This command reads out the results of the premeasurement

**Parameter:** The result is output as a list of partial result strings separated by ',' in the following (ASCII) format:

<Level1>,<Level2>,<RBW>

<Level1>: measured level

<Level2>: level corrected by means of the bandwidth

<RBW>: bandwidth

**Example:** " :FETCh:PTEM:REF? "  
Result: 43.2,43.2,1000000

**Features:** \*RST value: --  
SCPI: devicespecific

**Modes:** BTS, MS

If no measurement has been performed yet, a query error results.

This command is a query only and therefore has no \*RST value assigned. It is available only if measurement of Power versus Time is selected (see :CONFIgure:BURSt:PTEMplate).

## FETCh:SPECtrum Subsystem

This subsystem provides the commands for reading out results of measurements in the GSM BTS (FSE-K11) or GSM MS (FSE-K10) Analyzer mode, used to measure the power of the spectral contributions due to modulation and switching (modulation spectrum, transient spectrum) without first restarting a new measurement.

COMMAND	PARAMETERS	UNIT	COMMENT
FETCh			Option FSE-K11 or FSE-K10
:SPECtrum			
:MODulation			
[:ALL]?	ARFCn   TXBand   RXBand   COMBined   DCSRx1800		query only
:REFerence?			query only
:SWITching			
[:ALL]?	--		query only
:REFerence?			query only

### :FETCh:SPECtrum:MODulation[:ALL]? ARFCn | TXBand | RXBand | COMBined | DCSRx1800

This command reads out the result of the measurement of the modulation spectrum of the base station or mobile.

**Parameter:** The result is output as a list of partial result strings separated by ',' in the following (ASCII) format:

<Index>,<Freq1>,<Freq2>,<Level>,<Limit>, <Abs/Rel>,<Status> [,  
<Index>,<Freq1>,<Freq2>,<Level>,<Limit>, <Abs/Rel>,<Status>]...

where the parts between '['...' denote a partial result string that can be repeated n times.

<Index>: 0, if the partial result string characterizes a measurement range  
current number <>0,  
if the partial result string characterizes a single  
limit excess.

<Freq1>: Start frequency of the measurement range or  
frequency where the limit line is exceeded

<Freq2>: Start frequency of the measurement range or  
frequency exceeding the measurement range. The value of  
<Freq2> is equal to the value of <Freq1>, if either the  
measurement is performed in the time domain or if the  
partial result string contains a limit excess.

<Level>: Measured maximum level of the partial range or  
measured level at the test point.

<Limit>: Limit in the partial range or at the test point

<Abs/Rel>: ABS <Level> and <Limit> are in absolute units (dBm)  
REL <Level> and <Limit> are in relative units (dB)

<Status>: Result of the limit check in character data form:  
PASSED no limit exceeded  
FAILED limit exceeded  
MARGIN margin exceeded  
EXC limit excess marked as an exception

The frequencies <Freq1> and <Freq2> are always absolute i. e. not referred to the carrier frequency.

**Example:**       ":FETC:SPEC:MOD? TXB"  
**Result:**       0,890E6,915E6,-87.4,-108.0,ABS,FAILED,  
                   1,893.2E6,893.2E6,-83.2,-108.0,ABS,FAILED,  
                   2,895.7E6,895.7E6,-87.4,-108.0,ABS,FAILED

**Features:**       \*RST value:    --  
                   SCPI:            device-specific

**Modes:**         BTS, MS

ARFCn            ARFCN  $\pm$  1.8 MHz  
 TXBand           TX-Band  
 RXBand           RX-Band  
 COMBined        ARFCN  $\pm$  1.8 MHz / TX-Band (option FSE-K11 only)  
 DCSRx1800       RX band DCS 1800 (option FSE-K10 only)

If no measurement has been performed yet, a query error results.  
 This command is a query only and therefore has no \*RST value assigned. It is available only if measurement of the modulation spectrum is selected (see :CONFigure:SPECTrum:MODulation).

#### :FETCh:SPECTrum:MODulation:REFerence?

This command reads out the result of the premeasurement.

**Parameter:**     The result is output as a list of partial result strings separated by ',' in the following (ASCII) format:

<Level1>,<Level2>,<RBW>  
 <Level1>:        measured level  
 <Level2>:        level corrected by means of the bandwidth  
 <RBW>:           bandwidth

**Example:**       ":FETC:SPEC:MOD:REF?"  
**Result:**        36.2,43.2,30000

**Features:**       \*RST value:    --  
                   SCPI:            device-specific

**Modes:**         BTS, MS

If no measurement has been performed yet, a query error results.  
 This command is a query only and therefore has no \*RST value assigned. It is available only if measurement of the modulation spectrum is selected (see :CONFigure:SPECTrum:MODulation).

**:FETCh:SPECTrum:SWITChing[:ALL]?**

This command reads out the result of the measurement of the transient spectrum of the base station or mobile.

**Parameter:** The result is output as a list of partial result strings separated by ',' as for the command :FETCh:SPECTrum:MODulation[:ALL]?

**Example:** " :FETC:SPEC:SWIT?"  
 Result: 0,833.4E6,833.4E6,37.4,-36.0,ABS,MARGIN,  
 1,834.0E6,834.0E6,-35.2,-36.0,ABS,FAILED,  
 2,834.6E6,834.6E6,-74.3,-75.0,REL,FAILED  
 0,835.0E6,835.0E6,-65,0,-60.0,REL,PASSED

**Features:** \*RST value: --  
 SCPI: device-specific

**Modes:** BTS, MS

If no measurement has been performed yet, a query error results.

This command is a query only and therefore has no \*RST value assigned. It is available only if measurement of the transient spectrum is selected (see :CONFigure:SPECTrum:SWITChing).

**:FETCh:SPECTrum:SWITChing:REFeRence?**

This command queries the result of the premeasurement

**Parameter:** The result is output as a list of partial result strings separated by ',' in the following (ASCII) format:

<Level1>,<Level2>,<RBW>  
 <Level1>: measured level  
 <Level2>: level corrected by means of the bandwidth  
 <RBW>: bandwidth

**Example:** " :FETC:SPEC:SWIT:REF?"  
 Result: 43.2,43.2,300000

**Features:** \*RST value --  
 SCPI: device specific

**Modes:** BTS, MS

If no measurement has been performed yet, a query error results.

This command is a query only and therefore has no \*RST value assigned. It is available only if measurement of the transient spectrum is selected (see :CONFigure:SPECTrum:SWITChing).

## FETCh:SPURious Subsystem

This subsystem provides the commands for reading out results of measurements in the GSM BTS (FSE-K11) or GSM MS (FSE-K10) Analyzer mode which are used to determine spurious emissions, without first restarting a new measurement.

COMMAND	PARAMETERS	UNIT	COMMENT
FETCh			Option FSE-K11 or FSE-K10
:SPURious			
[:ALL]?	TXBand   OTXBand   RXBand   IDLeband		query only
:STEP?	--		query only

### :FETCh:SPURious[:ALL]? TXBand | OTXBand | RXBand | IDLeband

This command reads out the results of the measurement of spurious emissions of the base station or mobile which is performed in the LIST mode.

**Parameter:** The result is output as a list of partial result strings separated by ',' in the following (ASCII) format:

```
<Index>,<Freq1>,<Freq2>,<Level>,<Limit>, <Abs/Rel>,<Status> [,
<Index>,<Freq1>,<Freq2>,<Level>,<Limit>, <Abs/Rel>,<Status>]...
```

where the parts between '['...]' denote a partial result string that can be repeated n times.

<Index>: 0, if the partial result string characterizes a measurement range  
current number <>0,  
if the partial result string characterizes a single  
limit excess.

<Freq1>: Start frequency of the measurement range or  
frequency where the limit line is exceeded

<Freq2>: Start frequency of the measurement range or  
frequency exceeding the measurement range. The value of  
<Freq2> is equal to the value of <Freq1>, if either the  
measurement is performed in the time domain or if the  
partial result string contains a limit excess.

<Level>: Measured maximum level of the partial range or  
measured level at the test point.

<Limit>: Limit in the partial range or at the test point

<Abs/Rel>: ABS <Level> and <Limit> are in absolute units (dBm)  
REL <Level> and <Limit> are in absolute units (dBm)

<Status>: Result of the limit check in character data form:  
PASSED no limit exceeded  
FAILED limit exceeded  
MARGIN margin exceeded

**Example:**           ":FETC:SPUR? TXB"  
**Result:**    0,890E6,915E6,-87.4,-108.0,ABS,FAILED,  
                   1,893.2E6,893.2E6,-83.2,-108.0,ABS,FAILED,  
                   2,895.7E6,895.7E6,-87.4,-108.0,ABS,FAILED

**Features:**       \*RST value:    --  
                   SCPI:            device-specific

**Modes:**         BTS, MS

TXBand           TX-band  
 OTXBand         Not TX-band  
 RXBand          RX-band (option FSE-K11 only)  
 IDLeband        Idle band (option FSE-K10 only)

If no measurement has been performed yet, a query error results.

This command is a query only and therefore has no \*RST value assigned. It is available only if measurement of the spurious emissions is selected (see :CONFigure:SPURious).

### :FETCh:SPURious:STEP?

This command reads out the result of the last single step of the measurement of spurious emissions performed in the STEP mode.

**Parameter:**     The result is output as a list of partial result strings separated by ',' as for the command :FETCh:SPURious[:ALL]?.

**Example:**       ":FETC:SPUR:STEP?"  
**Result:**    0,890E6,915E6,-87.4,-108.0,ABS,FAILED,  
                   1,893.2E6,893.2E6,-83.2,-108.0,ABS,FAILED,  
                   2,895.7E6,895.7E6,-87.4,-108.0,ABS,FAILED

**Features:**       \*RST value:    --  
                   SCPI:            device-specific

**Modes:**         BTS, MS

If no measurement has been performed yet, a query error results.

This command is a query only and therefore has no \*RST value assigned. It is available only if measurement of the spurious emissions is selected (see :CONFigure:SPURious).



**:FORMat:DEXPort:DSEParator POINT|COMMa**

This command determines the decimal separator (decimal point or comma) for the output of the measurement data in ASCII format. Thus, evaluation programmes (i.e. MS-Excel) of different language versions are supported.

**Example:** " :FORM:DEXP:DSEP POIN  
**Features:** \*RST value: POINT  
 SCPI: device specific  
**Modes:** A, VA, BTS, MS

**:FORMat:DEXPort:HEADer[:STATe] ON | OFF**

This command determines if the output file starts with a header (start frequency, sweep time, detector, .. = ON) or not. OFF = only measurement data is output.

**Example:** " :FORM:DEXP:HEAD OFF  
**Features:** \*RST value: ON  
 SCPI: device specific  
**Modes:** A, VA, BTS, MS

**:FORMat:DEXPort:APPend[:STATe] ON | OFF**

This command determines if the output file is overwritten or the data is added to the end of the file.

**Example:** " :FORM:DEXP:APP OFF  
**Features:** \*RST value: ON  
 SCPI: device-specific  
**Modes:** A, VA, BTS, MS

**:FORMat:DEXPort:COMMeNt <string>**

This command defines a comment for the output file.

**Example:** " :FORM:DEXP:COMM 'ASCII EXPORT TRACE 1' "  
**Features:** \*RST value: ""  
 SCPI: conforming  
**Modes:** A, VA, BTS, MS

## HCOPY Subsystem

The HCOpy subsystem controls the output of display information for documentation purposes on output devices or files.

COMMAND	PARAMETERS	UNIT	COMMENT
HCOPY			
:ABORt	--		no query
:DEStination<1 2>	'SYST:COMM:PRIN'  'SYST:COMM:CLIP'  'MMEM'		no query, FSE with Windows NT controller
:DEStination<1 2>	'SYST:COMM:GPIB'  'SYST:COMM:SER1'  'SYST:COMM:SER2'  'SYST:COMM:CENt'  'MMEM'		no query, FSE without controller or with DOS controller
:DEvice			
:COLor	<Boolean>		FSE with Windows NT controller
:LANGUage<1 2>	GDI   EWMF   BMP   WMF		FSE without controller or with DOS controller
:LANGUage<1 2>	HPGL   PCL4   PCL5   POSTscript   ESCP   WMF   PCX   HP7470   EPSON24   EPSON24C   PCL4_C   PCL4_C3   LASERJ   DESKJ   DESKJ_C   DESKJ_C3   HPGL_LS   HP7470LS		
:PRESet<1 2>	<Boolean>		FSE without controller or with DOS controller
:RESolution<1 2>	<numeric_value>		FSE without controller or with DOS controller
[:IMMediate<1 2>]	--		no query
:ITEM			
:ALL			no query
:FFEed<1 2>			
:STATe	<Boolean>		
:LABel			
:TEXT	<string>		
:PFEed<1 2>			
:STATe	<Boolean>		
:WINDow<1 2>			
:TABLe			
:STATe	<Boolean>		
:TEXT	<string>		
:TRACe			
:STATe	<Boolean>		
:CAINcrement	<Boolean>		
:PAGE			
:DIMensions			
:QUADrant<1 to 4>			no query
:FULL			no query
:ORientation<1 2>	LANDscape PORTrait		

**:HCOPY:ABORT**

This command aborts a running hardcopy output.

**Example:** " :HCOP:ABOR "

**Features:** \*RST value: -  
SCPI: conforming

**Modes:** A, VA, BTS, MS

This command is an event which is why it is not assigned an \*RST value and no query.

**:HCOPY:DESTination<1|2> <string>**

This command selects the interface and the configuration (1 or 2) for the hardcopy device. The availability of the parameters depends on the selected data format (see command :HCOPY:DEVIce:LANGUage). { XE "Softkey:SETTINGS DEVICE 1/2" }{ XE "Softkey:HARDCOPY DEVICE" }

**Parameter:**

**FSE with NT controller** <string>::= 'SYST:COMM:GPIB' |  
'SYST:COMM:SER1' |  
'SYST:COMM:SER2' |  
'SYST:COMM:CENT' |  
'MMEM'

**FSE without controller / with DOS controller**

**Parameter:** <string>::= 'MMEM' |  
'SYST:COMM:PRIN' |  
'SYST:COMM:CLIP'

**Example:** " :HCOP:DEST2 'MMEM' "

**Features:** \*RST value: -  
SCPI: conforming

**Modes:** A, VA, BTS, MS

This command is an event which is why it is not assigned an \*RST value and no query.

:HCOPY:DESTination 'MMEM' creates a file for the hardcopy output. Command MMEM:NAME <file\_name> defines the file name.

- 'MMEM' creates a file for the hardcopy output. Command MMEM:NAME <file\_name> defines the file name. All formats can be selected for :HCOPY:DEVIce:LANGUage.
- 'SYST:COMM:PRIN' directs the hardcopy to the printer. The printer is selected with command SYSTEM:COMMunicate:PRINter:SElect. GDI should be selected for :HCOPY:DEVIce:LANGUage.
- 'SYST:COMM:CLIP' directs the hardcopy to the clipboard. EWMF should be selected for :HCOPY:DEVIce:LANGUage.
- 'SYST:COMM:GPIB' directs the hardcopy to the IEC/IEEE interface. All formats can be selected for :HCOPY:DEVIce:LANGUage.
- 'SYST:COMM:SER1' directs the hardcopy to the serial interface COM1. All formats can be selected for :HCOPY:DEVIce:LANGUage.
- 'SYST:COMM:CENT' directs the hardcopy to the parallel IEC/IEEE interface LPT. All formats can be selected for :HCOPY:DEVIce:LANGUage.

This command is an event which is why it is not assigned an \*RST value and no query.

**:HCOPY:DEVIce:COLor ON | OFF**

This command selects between color and monochrome hardcopy of the screen.

**Example:** " :HCOP:DEV:COL ON"

**Features:** \*RST value: OFF  
SCPI: conforming

**Modes:** A, VA, BTS, MS

**:HCOPY:DEVIce:LANGUage<1|2>** WMF| EWMF | GDI | BMP (FSE with NT controller)

**:HCOPY:DEVIce:LANGUage<1|2>** HPGL | PCL4 | PCL5 | POSTscript | ESCP | WMF| PCX | HP7470 | EPSON24| EPSON24C | PCL4\_C | PCL4\_C3 | LASERJ | DESKJ | DESKJ\_C | DESKJ\_C3 | HPGL\_LS | HP7470LS

This command determines the data format of the printout.

**Example:** " :HCOP:DEV:LANG WMF"

**Features:** \*RST value: -  
SCPI: conforming

**Modes:** A, VA, BTS, MS

HPGL data format for printout on a plotter in HPGL,

HP7470 special format for printout on a plotter hp7470 (reduced HPGL format)

HPGL\_LS and HP7470LS special HPGL/HP7470-format allowing output of the traces with variable Line\_styles

PCL4.and PCL5 generic data formats for laser and ink-jet printers, with Black/white

PCL4\_C: Color (3 color cartridges + black cartridge)

PCL4\_C3: Color (3 color cartridges only)

PCL5: Black/white with 300DPI resolution, new language version.

LASERJ Data format for HP-laserjet starting with series III

DESKJ... Data formats for printers of HP-deskjet series, with DESKJ: Black/white

DESKJ\_C: Color (3 color cartridges + black cartridge, e. g. Deskjet 560)

DESKJ\_C3: Color (3 color cartridges only, e. g. Deskjet 500)

POSTscript a printer language,

ESCP data format for a 24-pin printer.

EPSON24 data format for Epson-compatible 24-needle printers, black/white, e. g. Epson LQ-series, R&S PDN

EPSON24C data format for Epson-compatible 24-needle color printers, e. g. Epson Stylus Color, R&S PDN Color

WMF (WINDOWS Metafile Format), PCX (pixel graphics) and EWMF(Enhanced Metafile Format) data formats for output files which can at a later time be directly integrated in corresponding programs for documentation purposes.

BMP (Bitmap) Data format for output files (FSE with NT controller only).

GDI (Graphics Device Interface) Default format for the output to a printer configured under Windows. For the output file the printer driver configured under Windows is used and thus a printer-specific format is generated (FSE with NT controller only).

**:HCOPY:DEVIce:PRESet<1|2> ON | OFF**

This command resets the hardcopy unit (1 or 2) prior to generating the hardcopy (FSE without controller or with DOS controller only)

**Example:** " :HCOP:DEV:PRES2 ON "

**Features:** \*RST value: OFF  
SCPI: device-specific

**Modes:** A, VA, BTS, MS

**:HCOPY:DEVIce:RESolution<1|2> 150 | 300**

This command controls the resolution of the printout in PCL4 and HP-deskjet format (hardcopy unit 1 or 2) (FSE without controller or with DOS controller only).

**Example:** " :HCOP:DEV:RES 300 "

**Features:** \*RST value: 150  
SCPI: conforming

**Modes:** A, VA, BTS, MS

The resolution for an output in PCL4 format is between 150 dpi or 300 dpi.

**:HCOPY[:IMMediate<1|2>]**

This command starts a hardcopy output.

**Example:** "HCOP"

**Features:** \*RST value: -  
SCPI: conforming

**Modes:** A, VA, BTS, MS

HCOP[1] starts the hardcopy output to device 1 (default), HCOP2 starts the output to device 2. This command is an event which is why it is not assigned an \*RST value and has no query.

**:HCOPY:ITEM:ALL**

This command selects the complete screen to be output.

**Example:** " :HCOP:ITEM:ALL "

**Features:** \*RST value: OFF  
SCPI: conforming

**Modes:** A, VA, BTS, MS

The hardcopy output is always provided with comments, title, time and date. As an alternative to the whole screen, only traces (commands ' :HCOPY:DEVIce:WINDow:TRACe: STATE ON ') or tables (command ' :HCOPY:DEVIce:WINDow:TABLE:STATE ON ') can be output.

**:HCOPY:ITEM:FFEd<1|2>:STATe** ON | OFF

The command adds a form feed command to the hardcopy output of the screen.

**Example:** " :HCOP:ITEM:FFE2:STAT ON"

**Features:** \*RST value: OFF  
SCPI: conforming

**Modes:** A, VA, BTS, MS

**:HCOPY:ITEM:LABel:TEXT** <string>

This command defines the title of the screen with a maximum of 60 characters.

**Example:** " :HCOP:ITEM:LAB:TEXT 'My Title' "

**Features:** \*RST value: OFF  
SCPI: conforming

**Modes:** A, VA, BTS, MS

**:HCOPY:ITEM:PFEed<1|2>:STATe** ON | OFF

This command adds a paper feed command to the hardcopy output of the screen (ON).

**Example:** " :HCOP:ITEM:PFE2:STAT ON"

**Features:** \*RST value: OFF  
SCPI: device-specific

**Modes:** A, VA, BTS, MS

**:HCOPY:ITEM:WINDow<1|2>:TABLe:STATe** ON | OFF

This command selects the output of the currently displayed tables (ON).

**Example:** " :HCOP:ITEM:WIND:TABL:STAT ON"

**Features:** \*RST value: OFF  
SCPI: device-specific

**Modes:** A, VA, BTS, MS

The command `:HCOPY:ITEM:WINDow<1|2>:TABLe:STATe` OFF same as command  
`:HCOPY:ITEM:ALL` enables the output of the whole screen.

**:HCOPY:ITEM:WINDow<1|2>:TEXT** <string>

This command defines the comment text for printout to trace 1 or 2 with a maximum of 100 characters.

**Example:** " :HCOP:ITEM:WIND2:TEXT 'comment' "

**Features:** \*RST value: -  
SCPI: device-specific

**Modes:** A, VA, BTS, MS

**:HCOPY:ITEM:WINDow<1|2>:TRACe:STATe ON | OFF**

This command selects the output of the currently displayed trace (ON).

**Example:** " :HCOP:ITEM:WIND:TRACe:STAT ON "

**Features:** \*RST value: OFF  
SCPI: device-specific

**Modes:** A, VA, BTS, MS

The command :HCOPY:ITEM:WINDow<1 | 2>:TRACe:STATe OFF same as command :HCOPY:ITEM:ALL enables the output of the whole screen.

**:HCOPY:ITEM:WINDow<1|2>:TRACe:CAINcrement ON | OFF**

The command automatically changes the colour of the currently displayed trace after printout (ON).

**Example:** " :HCOP:ITEM:WIND:TRACe:CAIN ON "

**Features:** \*RST value: OFF  
SCPI: device-specific

**Modes:** A, VA, BTS, MS

The automatic change of colour of the trace allows outputting to a plotter of several traces of the same diagram. For a better distinction, the colour of the trace is changed ("Color Auto Increment").

**:HCOPY:PAGE:DIMensions:QUADrant<1 to 4>**

The command defines the quadrant which is allocated to the screen output.

**Example:** " :HCOP:PAGE:DIM:QUAD1 "

**Features:** \*RST value: -  
SCPI: conforming

**Modes:** A, VA, BTS, MS

The quadrants are defined as QUAD1 at the top right, QUAD2 at the top left, QUAD3 at the bottom left and QUAD4 at the bottom right. This command is an event which is why it is not assigned an \*RST value and has no query.

**:HCOPY:PAGE:DIMensions:FULL**

This command defines that the full screen is to be printed out.

**Example:** " :HCOP:PAGE:DIM:FULL "

**Features:** \*RST value: -  
SCPI: device-specific

**Modes:** A, VA, BTS, MS

This command is an event which is why it is not assigned an \*RST value and has no query.

**:HCOPY:PAGE:ORientation<1|2> LANDscape | PORTrait**

The command selects the format of the output (portrait and landscape) (hardcopy unit 1 or 2).

**Example:** " :HCOP:PAGE:ORI LAND "

**Features:** \*RST value: -  
SCPI: conforming

**Modes:** A, VA, BTS, MS

## INITiate Subsystem

The INITiate subsystem checks the initialization of the trigger subsystem. In the split-screen representation, a distinction is made between INITiate1 (screen A) and INITiate2 (screen B)

COMMAND	PARAMETERS	UNIT	COMMENT
INITiate<1 2>			
:CONTinuous	<boolean>	--	
:CONMeas	--	--	no query
[:IMMediate]	--	--	no query
:DISPlay	<boolean>	--	

### :INITiate<1|2>:CONTinuous ON | OFF

This command determines if the trigger system is continuously initiated ("Free Run").

**Example:** " :INIT:CONT OFF "

**Features:** \*RST value: ON  
SCPI: conforming

**Modes:** A, VA, BTS, MS

Setting "INITiate:CONTinuous ON" corresponds to function SWEEP CONTinuous, ie the sweep of the analyzer is cyclically repeated. The setting "INITiate:CONTinuous OFF" corresponds to function SWEEP SINGLE.

### :INITiate<1|2>:CONMeas

This command continues the sweep from the current sweep position.

**Example:** " :INIT:CONM "

**Features:** \*RST value: -  
SCPI: device-specific

**Modes:** A, VA, BTS, MS

This command is an event and therefore has no \*RST value and no query.

Sweeps are stopped, for example, in the case of transducer sets between the different transducer factors.

### :INITiate<1|2>[:IMMediate]

The command initiates a new sweep or starts a single sweep.

**Example:** " INIT "

**Features:** \*RST value: -  
SCPI: conforming

**Modes:** A, VA, BTS, MS

This command is an event which is why it is not assigned an \*RST value and has no query.

**:INITiate<1|2>:DISPlay** ON | OFF

This command switches the display on or off during a single sweep.

**Example:** " :INIT:DISP OFF "

**Features:** \*RST value: ON  
SCPI: device-specific

**Modes:** A, VA, BTS, MS

## INPut Subsystem

The INPut subsystem checks the input features of the instrument. In the split-screen representation, a distinction is made between INPut1 (screen A) and INPut2 (screen B).

COMMAND	PARAMETERS	UNIT	COMMENT
INPut<1 2>			
:ATTenuation	<numeric_value>	DB	
:AUTO	<Boolean>	--	
:MODE	NORMal   LNOise   LDISTortion	--	
:STEPsize	1   10	dB	Option 1-dB attenuator
:UPORt<1 2>			
[:VALue]?	--	--	query only
:STATe	<Boolean>	--	
:IMPedance	50   75	OHM	
:CORRection	RAM   RAZ		
:MIXer	<numeric_value>	DBM	

### :INPut<1|2>:ATTenuation 0 to 70 dB

This command programs the input attenuator.

**Example:** " : INP : ATT 40dB "

**Features:** \*RST value: - (AUTO is set to ON)  
SCPI: conforming

**Modes:** A, VA

The attenuation of the input calibration line can be programmed in steps of 10 dB. If the attenuation is programmed directly, the coupling to the reference level is switched off.

### :INPut<1|2>:ATTenuation:AUTO ON | OFF

This command automatically couples the input attenuation to the reference level (analyzer).

**Example:** " : INP : ATT : AUTO ON "

**Features:** \*RST value: ON  
SCPI: conforming

**Modes:** A, VA

### :INPut<1|2>:ATTenuation:AUTO:MODE NORMal | LNOise | LDISTortion

This command optimizes the coupling of the input attenuation to the reference level to high sensitivity or to high intermodulation immunity.

**Example:** " : INP : ATT : AUTO : MODE LDIS "

**Features:** \*RST value: ON  
SCPI: device-specific

**Modes:** A, VA

For LNOise, the input attenuator value is set 10 dB lower than for INPut:ATTenuation:AUTO:MODE NORMal, for LDISTortion it is set 10 dB higher.

**:INPut<1|2>:ATTenuation:STEPsize** 1dB | 10dB

This command defines the attenuator stepsize.

**Example:** " :INP:ATT:STEP 1dB "

**Features:** \*RST value: 10dB  
SCPI: device-specific

**Mode:** A, VA, BTS, MS

This command is only available in conjunction with option FSE-B13, 1-dB attenuator.

**:INPut<1|2>:UPORt<1|2>[:VALue]?**

This command queries the control lines of the user ports.

**Example:** " :INP:UPOR2? "

**Features:** \*RST value: -  
SCPI: device-specific

**Modes:** A, VA, BTS, MS

This command is a query command which is why it is not assigned an \*RST value.

**:INPut<1|2>:UPORt<1|2>:STATe** ON | OFF

This command toggles the control lines of the user ports between INPut and OUTPut.

**Example:** " :INP:UPOR2:STAT ON "

**Features:** \*RST value: ON  
SCPI: device-specific

**Modes:** A, VA, BTS, MS

With ON, the user port is switched to INPut, with OFF to OUTPut.

**:INPut<1|2>:IMPedance** 50 | 75

This command sets the nominal input impedance of the instrument.

**Example:** " :INP:IMP 75 "

**Features:** \*RST value: 50  
SCPI: conforming

**Modes:** A, VA, BTS, MS

Switching the input impedance to 75  $\Omega$  includes the matching elements RAM or RAZ selected by the command INPut:IMPedance:CORRection.

**:INPut<1|2>:IMPedance:CORRection** RAM | RAZ

This command selects the matching element for 75  $\Omega$  input impedance.

**Example:** " : INP : IMP : CORR RAM "

**Features:** \*RST value: - (INPut:IMPedance = 50  $\Omega$ )  
SCPI: device-specific

**Modes:** A, VA, BTS, MS

**:INPut<1|2>:MIXer** -10 to -100 dBm

This command defines the nominal mixer level of the instrument.

**Example:** " : INP : MIX -30 "

**Features:** \*RST value: -  
SCPI: device-specific

**Modes:** A, VA

## INSTRument Subsystem

The INSTRument subsystem selects the operating mode of the unit either via text parameters or fixed numbers. In the split-screen representation, a distinction is made between INSTRument1 (screen A) and INSTRument2 (screen B).

COMMAND	PARAMETERS	UNIT	COMMENT
INSTRument<1 2> [:SElect]  :NSElect :COUPled	SANalyzer   DDEMod   ADEMod   BSGM   MGSM  <numeric_value> NONE   MODE   X   Y   CONTRol   XY   XCONTRol   YCONTRol   ALL		Vector Signal Analysis FSE-K11 or FSE-K10,

### :INSTRument<1|2>[:SElect] SANalyzer | DDEMod | ADEMod | BSGM | MGSM

This command switches between the operating modes by means of text parameters.

**Parameter:**

SANalyzer:	spectrum analysis
DDEMod:	vector signal analysis, digital demodulation
ADEMod:	vector signal analysis, analog demodulation
BSGM:	GSM BTS analysis
MGSM:	GSM MS analysis

**Example:** " :INST DDEM"

**Features:**

*RST value:	SANalyzer
SCPI:	conforming

**Modes:** A, VA, BTS, MS

Switchover to DDEMod or ADEMod is only possible in conjunction with option FSE-B7, Vector Signal Analysis.

Switchover to BSGM is only possible in conjunction with option FSE-K11, GSM BTS Analyzer

Switchover to MGSM is only possible in conjunction with option FSE-K10, GSM MS Analyzer

### :INSTRument<1|2>:NSElect 1 to 5

This command switches between the two modes by means of numbers.

**Example:** " :INST:NSEL 2"

**Features:**

*RST value:	1
SCPI:	conforming

**Modes:** A, VA, BTS, MS

1:	spectrum analysis
2:	vector signal analysis, digital demodulation
3:	vector signal analysis, analog demodulation
4:	GSM BTS analysis
5:	GSM MS analysis

Switchover to 2 or 3 is only possible in conjunction with option FSE-B7, Vector Signal Analysis.

Switchover to 4 is only possible in conjunction with option FSE-K11, GSM BTS Analyzer

Switchover to 5 is only possible in conjunction with option FSE-K10, GSM MS Analyzer

**:INSTrument<1|2>:COUPlE** NONE | MODE | X | Y | CONTrol | XY | XCONtrol | YCONtrol | ALL

This command defines the coupling between the two measurement windows screen A and B.

**Example:** " :INST:COUP NONE "

**Features:** \*RST value: ALL  
SCPI: device specific

**Modes:** A, VA

NONE no coupling.

MODE the operating mode of the two screens is coupled.

X or Y the scaling of the x- or y axis of the two screens is coupled.

CONTrol the trigger and gate parameter ,and the sweep parameters SINGle/ CONTInous and COUNT of the two screens are coupled.

XY the scaling of the x- and y-axis of the two screens are coupled.

XCONtrol bzw. YCONtrol the trigger and gate parameter, and the sweep parameters SINGle CONTInous/ COUNT of the two screens are coupled.

ALL the scaling of the x- or y axis the trigger and gate parameter and the sweep parameters SINGle/ CONTInous/ COUNT of the two screens are coupled.

The numeric suffix in INSTrument<1|2> is not significant.

## MMEMory Subsystem

The MMEMory (mass memory) subsystem provides commands which allow for access to the storage media of the instrument and for storing and loading various instrument settings.

The NAME command stores the HCOPY outputs in a file.

The various drives can be addressed via the mass storage unit specifier <msus> using the conventional DOS syntax. The internal hard disk is addressed by "C:", the floppy-disk drive installed by "A:".

The file names <file\_name> are indicated as string parameters with the commands being enclosed in quotation marks. They correspond to the DOS conventions.

DOS file names consist of max. 8 ASCII characters and an extension of up to three characters separated from the file name by a colon "." Both, the colon and the extension are optional. The colon is not part of the file name. DOS file names do not differ between uppercase and lowercase notation. All letters and digits are permitted as well as the special characters "\_", "^", "\$", "~", "!", "#", "%", "&", "-", "{", "}", "(", ")", "@", and "'". Reserved file names are CLOCK\$, CON, AUX, COM1 to COM4, LPT1 to LPT3, NUL and PRN.

The two characters "\*" and "?" have the function of so-called "wildcards", i.e., they are variables for selection of several files. The question mark "?" replaces exactly one character which may be any, the asterisk means any of the remaining characters in the file name. "\*. \*" thus means all files in a directory.

COMMAND	PARAMETERS	UNIT	COMMENT
MMEMory			
:CATalog	<string>		
:CDIRectory	<directory_name>	--	
:COPY	<file_name>,<file_name>	--	no query
:DATA	<file name>[,<block>]	--	
:DELete	<file_name>	--	no query
:INITialize	<msus>	--	no query
:LOAD			
:STATe	1,<file_name>	--	no query
:AUTO	1,<file_name>	--	no query
:MDIRectory	<directory_name>	--	no query
:MOVE	<file_name>,<file_name>	--	no query
:MSIS	<msus>	--	
:NAME	<file_name>	--	
:RDIRectory	<directory_name>	--	no query
:STORe			
:STATe	1,<file_name>	--	no query
:TRACe	<numeric_value>,<file_name>		no query
:CLEar			
:STATe	1,<file_name>	--	no query
:ALL			no query

COMMAND	PARAMETERS	UNIT	COMMENT
MMEMemory			
:SElect			
[:ITEM]			
:GSEtup	<Boolean>		
:HWSettings	<Boolean>		
:TRACE<1 to 4>	<Boolean>		
:LINes			
[:ACTive]	<Boolean>		
:ALL	<Boolean>		
:CSEtup	<Boolean>		
:HCOPY	<Boolean>		
:MACROs	<Boolean>		
:SCData	<Boolean>		Option Tracking Generator
:TRANsducer			
[:ACTive]	<Boolean>		
:ALL	<Boolean>		
:CVL			
[:ACTive]	<Boolean>		
:ALL	<Boolean>		
:ALL	--		no query
:NONE	--		no query
:DEFault	--		no query
:COMMeNt	<string>		

**:MMEMemory:CATalog? <string>**

This command reads out the files and subdirectories of the current directory. A mask, eg "\*.bat", can be defined so that only files with "bat" as extension are selected.

Syntax of output format:

<Sum of file lengths of all subsequent files>,<free memory on hard disk>,  
 <1st file name or name of subdirectory>,<file or subdirectory>,<1st file length>,<2nd file name or name of subdirectory>,<file or subdirectory>,<2nd file length>,<...>,<nth file name>,<file or subdirectory>,<nth file length>.

<File or subdirectory>:           in case of a file the field remains empty,  
                                   in case of a subdirectory the field contains "DIR".

**Parameter:**           <string>:= DOS file name

**Example:**             ":MMEMemory:CAT 'rem?.lin' "

**Characteristics:** \*RST value:   -  
                       SCPI:           conformal

**Modes:**               A, VA, BTS, MS

**:MMEMory:CDIRectory** <directory\_name>

This command changes the current directory.

**Parameter:** <directory\_name> ::= DOS path name

**Example:** " :MMEM:CDIR 'C:\USER\DATA' "

**Features:** \*RST value: -  
SCPI: conforming

**Modes:** A, VA, BTS, MS

In addition to the path name, the indication of the directory may contain the drive name. The path name complies with the DOS conventions.

**:MMEMory:COPY** <file\_source>,<file\_destination>

This command copies the files indicated.

**Parameter:** <file\_source>,<file\_destination> ::= <file\_name>  
<file\_name> ::= DOS file name

**Example:** " :MMEM:COPY 'C:\USER\DATA\SETUP.CFG' , 'A: ' "

**Features:** \*RST value: -  
SCPI conforming

**Modes:** A, VA, BTS, MS

The indication of the file name may include the path and the drive. The file names and path information must be in accordance with the DOS conventions. This command is an event which is why it is not assigned an \*RST value and has no query.

**:MMEMory:DATA** <file\_name>[,<block data>]

This command writes block data to the specified file.

**Syntax:** :MMEMory:DATA <file\_name>,<block data>  
:MMEMory:DATA? <file\_name>

**Example:** " :MMEM:DATA? 'TEST01.HCP' "  
" :MMEM:DATA 'TEST01.HCP' , #217This is the file"

**Features:** \*RST value: -  
SCPI: conforming

**Modes:** A, VA, BTS, MS

Each <block> starts with the character '#', followed by the value stating the length of the length information. This is followed by one or several characters for the length information; then come the data themselves. The end character must be set to EOI to ensure correct data transmission.

**:MMEMory:DELeTe** <file\_name>

This command deletes the files indicated.

**Parameter:** <file\_name> ::= DOS file name

**Example:** " :MMEM:DEL 'TEST01.HCP' "

**Features:** \*RST value: -  
SCPI: conforming

**Modes:** A, VA, BTS, MS

The indication of the file name contains the path and, optionally, the drive. Indication of the path corresponds to the DOS conventions. The file name includes indication of the path and may also include the drive. The path name corresponds to the DOS conventions. This command is an event which is why it is not assigned an \*RST value and has no query.

**:MMEMory:INITialize** 'A:'

This command formats the disk in drive A.

**Example:** " :MMEM:INIT 'A:' "

**Features:** \*RST value: -  
SCPI: conforming

**Modes:** A, VA, BTS, MS

Formatting deletes all data stored on the floppy disk. This command is an event which is why it is not assigned an \*RST value and has no query.

**:MMEMory:LOAD:STATe** 1,<file\_name>

This command loads instrument settings from files.

**Parameter:** <file\_name> ::= DOS file name without extension

**Example:** " :MMEM:LOAD:STAT 1, 'A:TEST' "

**Features:** \*RST value: -  
SCPI: conforming

**Modes:** A, VA, BTS, MS

The contents of the file is loaded and set as new instrument state. The file name includes indication of the path and may also include the drive. The path name corresponds to the DOS conventions. This command is an event which is why it is not assigned an \*RST value and has no query.

**:MMEMory:LOAD:AUTO** 1,<file\_name>

This command defines which device setting is automatically loaded after the instrument is switched on.

**Parameter:** <file\_name> ::= DOS file name without extension;  
FACTORY denotes the data set previously in the instrument

**Example:** " :MMEM:LOAD:AUTO 1, 'C:\USER\DATA\TEST' "

**Features:** \*RST value: -  
SCPI: device-specific

**Modes:** A, VA, BTS, MS

The contents of the file are read after switching on the instrument and used to define the new device state. The file name includes indication of the path and may also include the drive. The path name corresponds to the DOS conventions. This command is an event which is why it is not assigned an \*RST value and has no query.

**:MMEMory:MDIRectory** <directory\_name>

This command creates a new directory.

**Parameter:** <directory\_name> ::= DOS path name

**Example:** " :MMEM:MDIR 'C:\USER\DATA' "

**Features:** \*RST value: -  
SCPI: device-specific

**Modes:** A, VA, BTS, MS

The file name includes indication of the path and may also include the drive. The path name corresponds to the DOS conventions. This command is an event which is why it is not assigned an \*RST value and has no query.

**:MMEMory:MOVE** <file\_source>,<file\_destination>

This command renames existing files.

**Parameter:** <file\_source>,<file\_destination> ::= <file\_name>  
<file\_name> ::= DOS file name

**Example:** " :MMEM:MOVE 'TEST01.CFG', 'SETUP.CFG' "

**Features:** \*RST value: -  
SCPI: conforming

**Modes:** A, VA, BTS, MS

The file name includes indication of the path and may also include the drive. The path name corresponds to the DOS conventions. This command is an event which is why it is not assigned an \*RST value and has no query.

**:MMEMory:MSIS** 'A:' | 'C:'

This command changes to the drive indicated.

**Example:** " :MMEM:MSIS 'A:' "

**Features:** \*RST value: "C:"  
SCPI: conforming

**Modes:** A, VA, BTS, MS

The drive may be the internal hard disk C: or the floppy-disk drive A:. The drive is indicated according to the DOS conventions.

**:MMEMory:NAME** <file\_name>

This command specifies a file which is printed or plotted to.

**Parameter:** <file\_name> ::= DOS filename

**Example:** " :MMEM:NAME 'PLOT1.HPG' "

**Features:** \*RST value: -  
SCPI: conforming

**Modes:** A, VA, BTS, MS

The file name includes indication of the path and may also include the drive. The file name and path information correspond to the DOS conventions. The output to the printer is routed into a file using the command " :HCOP:DEST 'MMEM'".

**:MMEMory:RDIRectory** <directory\_name>

This command deletes the directory indicated.

**Parameter:** <directory\_name> ::= DOS path name

**Example:** " :MMEM:RDIR 'C:\TEST' "

**Features:** \*RST value: -  
SCPI: device-specific

**Modes:** A, VA, BTS, MS

The directory name includes indication of the path and may also include the drive. The path name corresponds to the DOS conventions. This command is an event which is why it is not assigned an \*RST value and has no query.

**:MMEMory:STORe:STATe** 1,<file\_name>

This command stores the current instrument setting in a file.

**Parameter:** <file\_name> ::= DOS file name without extension

**Example:** " :MMEM:STOR:STAT 1, 'TEST' "

**Features:** \*RST value: -  
SCPI: conforming

**Modes:** A, VA, BTS, MS

The current instrument state is stored as a file. The file name includes indication of the path and may also include the drive. The path name corresponds to the DOS conventions. This command is an event which is why it is not assigned an \*RST value and has no query.

**:MMEMory:STORe:TRACe** 1 to 4,<file\_name>

This command stores the selected trace (1 to 4) in ASCII format in a file.

**Parameter:** 1 to 4 := selected trace 1 to 4  
<file\_name> := DOS file name

**Example:** " :MMEM:STOR:TRAC 3 , 'A:\TEST.ASC' "

**Features:** \*RST value: -  
SCPI: device-specific

**Modes:** A, VA, BTS, MS

The file name includes indication of the path and may also include the drive. The file name and path information correspond to the DOS conventions. This command is an event which is why it is not assigned an \*RST value and has no query.

**:MMEMory:CLEAr:STATe** 1,<file\_name>

This command deletes the instrument setting denoted by <file\_name>.

**Parameter:** <file\_name> ::= DOS file name without extension

**Example:** " :MMEM:CLE:STAT 1 , 'TEST' "

**Features:** \*RST value: -  
SCPI: device-specific

**Modes:** A, VA, BTS, MS

The device data set specified is deleted. The file name includes indication of the path and may also include the drive. The path name corresponds to the DOS conventions. This command is an event which is why it is not assigned an \*RST value and has no query.

**:MMEMory:CLEAr:ALL**

This command deletes all instrument settings in the current directory.

**Example:** " :MMEM:CLE:ALL "

**Features:** \*RST value: -  
SCPI: device-specific

**Modes:** A, VA, BTS, MS

This command is an "event" which is why it is not assigned an \*RST value and has no query.

**:MMEMory:SELEct[:ITEM]:GSETup** ON | OFF

This command includes the data of the general setup in the list of data subsets of a device setting to be stored/loaded.

**Example:** " :MMEM:SEL:GSET ON "

**Features:** \*RST value: OFF  
SCPI: device-specific

**Modes:** A, VA, BTS, MS

**:MMEMory:SELEct[:ITEM]:HWSettings** ON | OFF

This command includes the hardware settings in the list of data subsets of a device setting to be stored/loaded.

**Example:** " :MMEM:SEL:HWS ON "

**Features:** \*RST value: ON  
SCPI: device-specific

**Modes:** A, VA, BTS, MS

Level and frequency lines are stored with this command as well.

**:MMEMory:SELEct[:ITEM]:TRACe<1 to 4>** ON | OFF

This command includes the data of the selected trace in the list of data subsets of a device setting to be stored/loaded.

**Example:** " :MMEM:SEL:TRACE3 ON "

**Features:** \*RST value: OFF for all Traces  
SCPI: device-specific

**Modes:** A, VA, BTS, MS

**:MMEMory:SELEct[:ITEM]:LINes[:ACTive]** ON | OFF

This command includes the active limit lines in the list of data subsets of a device setting to be stored/loaded.

**Example:** " :MMEM:SEL:LIN ON "

**Features:** \*RST value: ON  
SCPI: device-specific

**Modes:** A, VA, BTS, MS

Upon `MMEM:LOAD` the limit lines which are not currently active but contained in the data set are restored as well.

**:MMEMory:SELEct[:ITEM]:LINes:ALL** ON | OFF

This command includes all limit lines in the list of data subsets of a device setting to be stored/loaded.

**Example:** " :MMEM:SEL:LIN:ALL ON "

**Features:** \*RST value: ON  
SCPI: device-specific

**Modes:** A, VA, BTS, MS

This command includes selection of the active limit lines.

**:MMEMory:SELEct[:ITEM]:CSEtup** ON | OFF

This command includes the current color setting in the list of partial datasets of a device setting to be stored/loaded.

**Example:** " :MMEM:SEL:CSET ON "

**Features:** \*RST value: ON  
SCPI: device-specific

**Modes:** A, VA, BTS, MS

**:MMEMory:SELEct[:ITEM]:HCOPy** ON | OFF

This command includes the hardcopy settings in the list of data subsets of a device setting to be stored/loaded.

**Example:** " :MMEM:SEL:HCOPY ON "

**Features:** \*RST value: ON  
SCPI: device-specific

**Modes:** A, VA, BTS, MS

**:MMEMory:SELEct[:ITEM]:MACROs** ON | OFF

This command includes the keyboard macros in the list of data subsets of a device setting to be stored/loaded.

**Example:** " :MMEM:SEL:MACROs ON "

**Features:** \*RST value: OFF  
SCPI: device-specific

**Modes:** A, VA, BTS, MS

**:MMEMory:SELEct[:ITEM]:SCData** ON | OFF

This command includes the tracking generator calibration data in the list of data subsets of a device setting to be stored/loaded.

**Example:** " :MMEM:SEL:SCData ON "

**Features:** \*RST value: OFF  
SCPI: device-specific

**Modes:** A, VA

This command only available in conjunction with the option Tracking Generator.

**:MMEMory:SELEct[:ITEM]:TRANsducer[:ACTive]** ON | OFF

This command includes the active transducer factors and set in the list of data subsets of a device setting to be stored/loaded.

**Example:** " :MMEM:SEL:TRAN ON "

**Features:** \*RST value: ON  
SCPI: device-specific

**Modes:** A, VA, BTS, MS

Upon `MMEM:LOAD` the transducer factors and sets which are not currently active but contained in the data set are restored as well.

**:MMEMory:SElect[:ITEM]:TRANsducer:ALL ON | OFF**

This command includes all transducer factors and sets in the list of data subsets of a device setting to be stored/loaded.

**Example:** " :MMEM:SEL:TRAN:ALL ON "

**Features:** \*RST value: ON  
SCPI: device-specific

**Modes:** A, VA, BTS, MS

This command is an event and therefore has no \*RST value assigned.

**:MMEMory:SElect[:ITEM]:CVL[:ACTive] ON | OFF**

This command includes the active conversion loss table into the list of data subrecords to be stored / loaded for a device setup.

**Example:** " :MMEM:SEL:CVL ON "

**Features:** \*RST value: OFF  
SCPI: device-specific

**Modes:** A, VA, BTS, MS

This command is available only in conjunction with option External Mixer Output, FSE-B21.

**:MMEMory:SElect[:ITEM]:CVL:ALL ON | OFF**

This command includes all conversion loss table into the list of data subrecords to be stored / loaded for a device setup.

**Example:** " :MMEM:SEL:CVL ON "

**Features:** \*RST value: OFF  
SCPI: device-specific

**Modes:** A, VA, BTS, MS

This command is available only in conjunction with option External Mixer Output, FSE-B21.

**:MMEMory:SElect[:ITEM]:ALL**

This command includes all data subsets in the list of data subsets of a device setting to be stored/loaded.

**Example:** " :MMEM:SEL:ALL "

**Features:** \*RST value: --  
SCPI: device-specific

**Modes:** A, VA, BTS, MS

This command is an event and therefore has no \*RST value assigned.

**:MMEMory:SELEct[:ITEM]:NONE**

This command deletes all data subsets in the list of data subsets of a device setting to be stored/loaded.

**Example:** " :MMEM:SEL:NONE "

**Features:** \*RST value: --  
SCPI: device-specific

**Modes:** A, VA, BTS, MS

This command is an event and therefore has no \*RST value assigned.

**:MMEMory:SELEct[:ITEM]:DEFault**

This command sets the default list of the data subsets of a device setting to be stored/loaded.

**Example:** " :MMEM:SEL:DEFault "

**Features:** \*RST value: --  
SCPI: device-specific

**Modes:** A, VA, BTS, MS

This command is an event and therefore has no \*RST value assigned.

**:MMEMory:COMMEnt <string>**

This command defines a comment for a device setting to be stored.

**Example:** " :MMEM:COMM 'Setup for GSM measurement' "

**Features:** \*RST value: blank comment  
SCPI: device-specific

**Modes:** A, VA, BTS, MS

## OUTPut Subsystem

The OUTPut subsystem checks the output features of the instrument. In conjunction with option tracking generator, in the split screen mode, a distinction is made between OUTPut1 (screen A) and OUTPut2 (screen B).

COMMAND	PARAMETERS	UNIT	COMMENT
OUTPut<1 2> [:STATe]	<boolean>	--	Option Tracking Generator
:UPORt<1 2> [:VALue]	<binary>	--	
:STATe	<boolean>	--	
:AF :SENSitivity	<numeric_value>	PCT   HZ   KHZ   DEG   RAD	Vector Signal Analysis

### :OUTPut<1|2>[:STATe] ON | OFF

This command switches the tracking generator on or off.

**Example:** " :OUTP ON"

**Features:** \*RST value: -  
SCPI: conforming

**Modes:** A, VA

This command is only valid in conjunction with one of the options tracking generator.

### :OUTPut<1|2>UPORt<1|2>[:VALue] #B00000000 to #B11111111

This command sets the control lines of the user ports.

**Example:** " :OUTP:UPOR2 #B10100101"

**Features:** \*RST value: -  
SCPI: device-specific

**Modes:** A, VA, BTS, MS

User port 1 or 2 is written with the given binary pattern. If the user port is programmed to INPUT instead of OUTPUT, the output value is temporarily stored.

### :OUTPut<1|2>UPORt<1|2>:STATe ON | OFF

This command switches the control line of the user ports between INPUT and OUTPUT.

**Example:** " :OUTP:UPOR:STAT ON"

**Features:** \*RST value: OFF  
SCPI: device-specific

**Modes:** A, VA, BTS, MS

With ON, the user port is switched to OUTPUT, with OFF to INPUT.

**:OUTPut<1|2>AF:SENSitivity** <numeric\_value>

This command changes the sensitivity of the AF-output.

**Parameter:** <numeric\_value> ::= 0.1 PCT to 100 PCTfor AM  
0.1 KHZ to 100 KHZfor FM  
0.0 1RAD to 10 RADfor PM

**Example:** " :OUTP:AF:SENS 20PCT"

**Features:** \*RST value: 100 % for AM  
100 kHz for FM  
10 rad for PM  
SCPI: device-specific

**Mode:** VA-A

## READ Subsystem

The READ-subsystem contains commands for starting complex measurement tasks such as those provided by options GSM BTS Analyzer (FSE-K11) or GSM MS Analyzer (FSE-K10), and for querying the results subsequently. The READ-subsystem is closely linked to the functions of the CONFigure- and FETCh-subsystems, where the measurement sequences are configured or the results are queried without restarting a new measurement.

### READ:BURSt Subsystem

This subsystem provides the commands for starting measurements in the GSM BTS Analyzer mode (option FSE-K11), which are performed on individual bursts (carrier power, phase/frequency error), and for reading out the results subsequently.

COMMAND	PARAMETERS	UNIT	COMMENT
READ			
:BURSt			Option FSE-K11 or FSE-K10
:PERRor			
:RMS			
:STATus?	--		query only
:AVERage?	--		query only
:MAXimum?	--		query only
:PEAK			
:STATus?	--		query only
:AVERage?	--		query only
:MAXimum?	--		query only
:FERRor			
:STATus?	--		query only
:AVERage?	--		query only
:MAXimum?	--		query only
:POWer?	--		
:STATic?	--		query only; FSE-K11 only
:DYNamic?	--		query only; FSE-K11 only
:LEVel?	--		query only; FSE-K10 only
:REFerence			
[:IMMediate]?	--		query only
:MACCuracy			
:RMS			
:STATus?	--		query only
:AVERage?	--		query only
:MAXimum?	--		query only
:PEAK			
:STATus?	--		query only
:AVERage?	--		query only
:MAXimum?	--		query only

COMMAND	PARAMETERS	UNIT	COMMENT
READ			
:BURSt			
:MACCuracy			
:OSUPpress			
:STATus?	--		query only
:AVERage?	--		query only
:MAXimum?	--		query only
:PERCentile			
:STATus?	--		query only
:AVERage?	--		query only
:MAXimum?	--		query only
:FREQuency			
:STATus?	--		query only
:AVERage?	--		query only
:MAXimum?	--		query only

**:READ:BURSt:PERRor:RMS:STATus?**

This command starts the measurement of the phase and frequency error of the base station or mobile and reads out the status of the RMS-measurement of the phase error taken over the selected number of bursts.

0: failed, 1: passed

**Example:** " :READ: BURS: PERR: RMS: STAT? "

**Features:** \*RST value: --  
 SCPI: device-specific

**Modes:** BTS, MS

When the measurement is started the instrument automatically assumes the SINGLE mode.

An ongoing measurement can be aborted via the command `ABORT`. Further results of the phase/frequency error measurement can be then queried without restart of the measurement via the `:FETCh: BURSt`-subsystem.

This command is a query only and therefore has no \*RST value assigned. It is available only if measurement of the phase/frequency error is selected (see `:CONFigure: BURSt: PFERror`).

**:READ:BURSt:PERRor:RMS:AVERage?**

This command starts the measurement of the phase and frequency error of the base station or mobile and reads out the average of the RMS-measurement of the phase error taken over the selected number of bursts.

**Example:** " :READ: BURS: PERR: RMS: AVER? "

**Features:** \*RST value: --  
 SCPI: device-specific

**Modes:** BTS, MS

When the measurement is started the instrument automatically assumes the SINGLE mode.

An ongoing measurement can be aborted via the command `ABORT`. Further results of the phase/frequency error measurement can be then queried without restart of the measurement via the `:FETCh: BURSt`-subsystem.

This command is a query only and therefore has no \*RST value assigned. It is available only if measurement of the phase/frequency error is selected (see `:CONFigure: BURSt: PFERror`).

**:READ:BURSt:PERRor:RMS:MAXimum?**

This command starts the measurement of the phase and frequency error of the base station or mobile and reads out the maximum of the RMS-measurement of the phase error for the selected number of bursts.

**Example:**           " :READ: BURS: PERR: RMS: MAX? "

**Features:**        \*RST value:    --  
                  SCPI:            device-specific

**Modes:**            BTS, MS

When the measurement is started the instrument automatically assumes the SINGLE mode.

An ongoing measurement can be aborted via the command `ABORT`. Further results of the phase/frequency error measurement can be then queried without restart of the measurement via the `:FETCh: BURSt`-subsystem.

This command is a query only and therefore has no \*RST value assigned. It is available only if measurement of the phase/frequency error is selected (see `:CONFigure: BURSt: PFERror`).

**:READ:BURSt:PERRor:PEAK:STATus?**

This command starts the measurement of the phase and frequency error of the base station or mobile and reads out the status of the peak measurement of the phase error taken over the selected number of bursts.

0: failed, 1: passed

**Example:**           " :READ: BURS: PERR: PEAK: STAT? "

**Features:**        \*RST value:    --  
                  SCPI:            device-specific

**Modes:**            BTS, MS

When the measurement is started the instrument automatically assumes the SINGLE mode.

An ongoing measurement can be aborted via the command `ABORT`. Further results of the phase/frequency error measurement can be then queried without restart of the measurement via the `:FETCh: BURSt`-subsystem.

This command is a query only and therefore has no \*RST value assigned. It is available only if measurement of the phase/frequency error is selected (see `:CONFigure: BURSt: PFERror`).

**:READ:BURSt:PERRor:PEAK:AVERAge?**

This command starts the measurement of the phase and frequency error of the base station or mobile and reads out the maximum of the peak measurement of the phase error taken over the selected number of bursts.

**Example:**           " :READ: BURS: PERR: PEAK: AVER? "

**Features:**        \*RST value:    --  
                  SCPI:            device-specific

**Modes:**            BTS, MS

When the measurement is started the instrument automatically assumes the SINGLE mode.

An ongoing measurement can be aborted via the command `ABORT`. Further results of the phase/frequency error measurement can be then queried without restart of the measurement via the `:FETCh: BURSt`-subsystem.

This command is a query only and therefore has no \*RST value assigned. It is available only if measurement of the phase/frequency error is selected (see `:CONFigure: BURSt: PFERror`).

**:READ:BURSt:PERRor:PEAK:MAXimum?**

This command starts the measurement of the phase and frequency error of the base station or mobile and reads out the maximum of the peak measurement of the phase error for the selected number of bursts.

**Example:** " :READ: BURS: PERR: PEAK: MAX? "

**Features:** \*RST value: --  
 SCPI: device-specific

**Modes:** BTS, MS

When the measurement is started the instrument automatically assumes the SINGLE mode.

An ongoing measurement can be aborted via the command `ABORT`. Further results of the phase/frequency error measurement can be then queried without restart of the measurement via the `:FETCh: BURSt`-subsystem.

This command is a query only and therefore has no \*RST value assigned. It is available only if measurement of the phase/frequency error is selected (see `:CONFigure: BURSt: PFERror`).

**:READ:BURSt:FERRor:STATus?**

This command starts the measurement of the phase and frequency error of the base station or mobile and reads out the status of the frequency error taken over the selected number of bursts.

0: failed, 1: passed

**Example:** " :READ: BURS: FERR: STAT? "

**Features:** \*RST value: --  
 SCPI: device-specific

**Modes:** BTS, MS

When the measurement is started the instrument automatically assumes the SINGLE mode.

An ongoing measurement can be aborted via the command `ABORT`. Further results of the phase/frequency error measurement can be then queried without restart of the measurement via the `:FETCh: BURSt`-subsystem.

This command is a query only and therefore has no \*RST value assigned. It is available only if measurement of the phase/frequency error is selected (see `:CONFigure: BURSt: PFERror`).

**:READ:BURSt:FERRor:AVERage?**

This command starts the measurement of the phase and frequency error of the base station or mobile and reads out the average of the frequency error taken over the selected number of bursts.

**Example:** " :READ: BURS: FERR: AVER? "

**Features:** \*RST value: --  
 SCPI: device-specific

**Modes:** BTS, MS

When the measurement is started the instrument automatically assumes the SINGLE mode.

An ongoing measurement can be aborted via the command `ABORT`. Further results of the phase/frequency error measurement can be then queried without restart of the measurement via the `:FETCh: BURSt`-subsystem.

This command is a query only and therefore has no \*RST value assigned. It is available only if measurement of the phase/frequency error is selected (see `:CONFigure: BURSt: PFERror`).

**:READ:BURSt:FERRor:MAXimum?**

This command starts the measurement of the phase and frequency error of the base station or mobile and reads out the maximum of the frequency error for the selected number of bursts.

**Example:** " :READ:BURS:FERR:MAX? "

**Features:** \*RST value: --  
SCPI: device-specific

**Modes:** BTS, MS

When the measurement is started the instrument automatically assumes the SINGLE mode.

An ongoing measurement can be aborted via the command `ABORT`. Further results of the phase/frequency error measurement can be then queried without restart of the measurement via the `:FETCh:BURSt`-subsystem.

This command is a query only and therefore has no \*RST value assigned. It is available only if measurement of the phase/frequency error is selected (see `:CONFigure:BURSt:PFERRor`).

**:READ:BURSt:POWER?**

**Carrier Power measurement: (:CONFigure:MS:POWER:SINGLE:STATE OFF)**

This command starts the measurement of the maximum output power of the base station or mobile and reads out the result.

Measurement of the maximum output power marks the beginning of a measurement cycle where subsequently the limits of the static and dynamic power control levels are checked step by step (`READ:BURSt:STATic?` or `READ:BURSt:DYNamic?`).

**Parameter:** The result is read out as an ASCII string in the following format:

```
<Static Power Ctrl>,<Dyn Power Ctrl>,<Rat-Level>,<Act-Level>,<Delta>,<Status>
```

<Static Power Ctrl>: 0  
 <Dyn Power Ctrl>: 0  
 <Rat-Level>: rated value for the current power control level acc. to standard in dBm  
 <Act-Level>: measured power in dBm  
 <Delta>: 0  
 <Status>: result of limit check in character data form:  
           PASSED      no limits exceeded  
           FAILED      limit exceeded

**Example:** " :READ:BURS:POW? "  
Result: 0,0,43,44.1,0,PASSED

**Features:** \*RST value: --  
SCPI: device-specific

**Modes:** BTS, MS

When the measurement is started any ongoing measurement cycle is aborted.

An ongoing measurement can be aborted with the command `ABORT`. This command is a query only and has therefore no \*RST value assigned. It is available only when measurement of the maximum carrier power is selected (see `:CONFigure:BURSt:POWER`).

**Carrier Power Individual Messung: (:CONFIgure:MS:POWer:SINGLe:STATe ON)**

This command starts the measurement of the maximum output power of the base station or mobile and reads out the result. The power control level is preset ( command :CONFIgure<1|2>[:MS]:POWer:LEVel <num\_value>)

**Parameter:** The result is read out as an ASCII string in the following format: single measurements are retrieved:

<Static Power Ctrl>,<Dyn Power Ctrl>,<Rat-Level>,<Act-Level>,<RBW>,<Arfcn>,<CF>,<Attenuation>,<Number of bursts>,<Status>

- <Static Power Ctrl>: current static power control level
- <Dyn Power Ctrl>: current dynamic power control level
- <Rat-Level>: rated value for the current power control level acc. to standard in dBm
- <Act-Level>: measured power in dBm
- <RBW>: resolution bandwidth in kHz
- <ARFCN>: channel number
- <CF>: carrier frequency in Hz
- <Att>: external attenuation in dBm
- <Number of burst>: number of bursts
- <Status>: result of limit check in character data form:  
 PASSED no limits exceeded  
 FAILED limit exceeded

**Example:** " :READ:BURS:POW? "  
 Result:: 0,3,37,20.6915,1000,2,8.904E+008,20,1,FAILED,  
 0,3,37,20.3597,1000,2,8.904E+008,20,1,FAILED

**Features:** \*RST value: --  
 SCPI: device-specific

**Modes:** BTS, MS

When the measurement is started any ongoing measurement cycle is aborted.

An ongoing measurement can be aborted with the command ABORT. This command is a query only and has therefore no \*RST value assigned. It is available only when measurement of the maximum carrier power is selected (see :CONFIgure:BURSt:POWer).

**:READ:BURSt:POWer:STATic?**

This command increases the static power control level for the measurement by one step, measures the output power of the base station and reads out the result.

If the command `READ:BURSt:POWer:STATic?` is repeated after the maximum static power control level is reached, the measurement sequence is terminated and the result of the maximum static power control level is read out again. In this case the value 'FINISHED' indicating the status is read out. Before the status value 'FINISHED' is read out, the value 'RUNNING' is output if the total result of the limit check is queried via `:CALCulate<1|2>:LIMit<1 to 8>:BURSt:POWer?`.

**Parameter:** The result is read out as an ASCII string in the following format:

<Static Power Ctrl>,<Dyn Power Ctrl>,<Rat-Level>,<Act-Level>,<Delta>,<Status>

<Static Power Ctrl>: current static power control level

<Dyn Power Ctrl>: current dynamic power control level

<Rat-Level>: rated value for the current power control level acc. to standard in dBm

<Act-Level>: measured power in dBm

<Delta>: difference between the measured power and the power at the previous static power control level.

<Status>: result of the limit check in character data form:

PASSED no limit exceeded

FAILED limit exceeded

FINISHED measurement sequence terminated

**Example:** " :READ:BURSt:POWer:STATic? "

Result: 1,0,41,42.5,1.6,PASSED

**Features:** \*RST value: --

SCPI: device-specific

**Mode:** BTS

The command `ABORt` terminates an ongoing measurement and resets the static and dynamic power control level to 0.

This command is only a query and therefore has no \*RST value assigned. It is available only if measurement of the maximum carrier power is selected. (see `:CONFIgure:BURSt:POWer`).

**:READ:BURSt:POWer:DYNamic?**

This command increases the dynamic power control level for the measurement by one step, measures the output power of the base station and reads out the result.

Once the maximum dynamic power control level is reached the command is accepted only after the static power control level is increased by one step.

Note that the command is no longer accepted after the measurement sequence is terminated which implies that the static power control level was read out again with `READ:BURSt:POWer:STATic?` after the maximum value was reached and marked with the 'FINISHED' status.

**Parameter:** The result is read out as an ASCII string in the following format:

```
<Static Power Ctrl>,<Dyn Power Ctrl>,<Rat-Level>,<Act-Level>,<Delta>,<Status>
```

**<Static Power Ctrl>:** current static power control level  
**<Dyn Power Ctrl>:** current dynamic power control level  
**<Rat-Level>:** rated value for the current power control level acc. to standard in dBm  
**<Act-Level>:** measured power in dBm  
**<Delta>:** difference between the measured power and the power at the previous dynamic power control level.  
**<Status>:** result of the limit check in character data form:  
 PASSED no limit exceeded  
 FAILED limit exceeded

**Example:** `" :READ:BURSt:POW:DYN?"`  
 Result: `1,3,35,32.5,5.6,FAILED`

**Features:** \*RST value: --  
 SCPI: device-specific

**Mode:** BTS

The command `ABORT` terminates an ongoing measurement and resets the static and dynamic power control level to 0.

This command is only a query and therefore has no \*RST value assigned. It is available only if measurement of the maximum carrier power is selected. (see `:CONFigure:BURSt:POWer`).

**:READ:BURSt:POWer:LEVel?**

This command increases the power control level for the measurement by one step, measures the output power of the mobile and reads out the result.

Note that the command is no longer accepted after the measurement sequence is terminated which implies that the power control level was read out again with `READ:BURSt:POWer:LEVel?` after the maximum value was reached and marked with the 'FINISHED' status.

**Parameter:** The result is read out as an ASCII string in the following format:

<0>, <Power Ctrl Level>,<Rat-Level>,<Act-Level>, <Delta>,<Status>

<0>: always 0

<Power Ctrl Level>: current power control level

<Rat-Level>: rated value for the current power control level acc.  
to standard in dBm

<Act-Level>: measured power in dBm

<Delta>: difference between the measured power and the power  
at the previous power control level.

<Status>: result of the limit check in character data form:  
PASSED no limit exceeded  
FAILED limit exceeded

**Example:** " :READ:BURSt:POW:LEV?"  
Result: 0,3,35,32.5,5.6,FAILED

**Features:** \*RST value: --  
SCPI: device-specific

**Mode:** MS

The command `ABORT` terminates an ongoing measurement and resets the power control level to 0.

This command is only a query and therefore has no \*RST value assigned. It is available only if measurement of the maximum carrier power is selected. (see `:CONFigure:BURSt:POWer`).

**:READ:BURSt:REFerence[:IMMediate]?**

This command starts the premeasurement and as a result provides the measured level in dBm.

**Example:** " :READ:BURSt:REF?"

**Feature:** \*RST value: --  
SCPI: device-specific

**Mode:** MS, BTS

This is a query command only and therefore has no \*RST value.

**:READ:BURSt:MACCuracy:RMS:STATus?**

This command starts the measurement of the modulation accuracy of the base station or mobile and reads out the status of the RMS-measurement taken over the selected number of bursts.

0: failed, 1: passed

**Example:** " :READ: BURS: MACC: RMS: STAT? "

**Features:** \*RST value: --  
SCPI: device-specific

**Modes:** BTS, MS

When the measurement is started the instrument automatically assumes the SINGLE mode.

An ongoing measurement can be aborted via the command `ABORT`. Further results of the modulation accuracy measurement can be then queried without restart of the measurement via the `:FETCh: BURSt`-subsystem.

This command is a query only and therefore has no \*RST value assigned. It is available only if measurement of the modulation accuracy is selected (see `:CONFIgure: BURSt: MACCuracy`).

**:READ:BURSt:MACCuracy:RMS:AVERAge?**

This command starts the measurement of the modulation accuracy of the base station or mobile and reads out the average of the RMS-measurement taken over the selected number of bursts.

**Example:** " :READ: BURS: MACC: RMS: AVER? "

**Features:** \*RST value: --  
SCPI: device-specific

**Modes:** BTS, MS

When the measurement is started the instrument automatically assumes the SINGLE mode.

An ongoing measurement can be aborted via the command `ABORT`. Further results of the modulation accuracy measurement can be then queried without restart of the measurement via the `:FETCh: BURSt`-subsystem.

This command is a query only and therefore has no \*RST value assigned. It is available only if measurement of the modulation accuracy is selected (see `:CONFIgure: BURSt: MACCuracy`).

**:READ:BURSt:MACCuracy:RMS:MAXimum?**

This command starts the measurement of the modulation accuracy of the base station or mobile and reads out the maximum of the RMS-measurement for the selected number of bursts.

**Example:** " :READ: BURS: MACC: RMS: MAX? "

**Features:** \*RST value: --  
SCPI: device-specific

**Modes:** BTS, MS

When the measurement is started the instrument automatically assumes the SINGLE mode.

An ongoing measurement can be aborted via the command `ABORT`. Further results of the modulation accuracy measurement can be then queried without restart of the measurement via the `:FETCh: BURSt`-subsystem.

This command is a query only and therefore has no \*RST value assigned. It is available only if measurement of the modulation accuracy is selected (see `:CONFIgure: BURSt: MACCuracy`).

**:READ:BURSt:MACCuracy:PEAK:STATus?**

This command starts the measurement of the modulation accuracy of the base station or mobile and reads out the status of the PEAK-measurement taken over the selected number of bursts.

0: failed, 1: passed

**Example:** " :READ: BURS: MACC: PEAK: STAT? "

**Features:** \*RST value: --  
SCPI: device-specific

**Modes:** BTS, MS

When the measurement is started the instrument automatically assumes the SINGLE mode.

An ongoing measurement can be aborted via the command `ABORT`. Further results of the modulation accuracy measurement can be then queried without restart of the measurement via the `:FETCh: BURSt`-subsystem.

This command is a query only and therefore has no \*RST value assigned. It is available only if measurement of the modulation accuracy is selected (see `:CONFIgure: BURSt: MACCuracy`).

**:READ:BURSt:MACCuracy:PEAK:AVERAge?**

This command starts the measurement of the modulation accuracy of the base station or mobile and reads out the average of the PEAK-measurement taken over the selected number of bursts.

**Example:** " :READ: BURS: MACC: PEAK: AVER? "

**Features:** \*RST value: --  
SCPI: device-specific

**Modes:** BTS, MS

When the measurement is started the instrument automatically assumes the SINGLE mode.

An ongoing measurement can be aborted via the command `ABORT`. Further results of the modulation accuracy measurement can be then queried without restart of the measurement via the `:FETCh: BURSt`-subsystem.

This command is a query only and therefore has no \*RST value assigned. It is available only if measurement of the modulation accuracy is selected (see `:CONFIgure: BURSt: MACCuracy`).

**:READ:BURSt:MACCuracy:PEAK:MAXimum?**

This command starts the measurement of the modulation accuracy of the base station or mobile and reads out the maximum of the PEAK-measurement for the selected number of bursts.

**Example:** " :READ: BURS: MACC: PEAK: MAX? "

**Features:** \*RST value: --  
SCPI: device-specific

**Modes:** BTS, MS

When the measurement is started the instrument automatically assumes the SINGLE mode.

An ongoing measurement can be aborted via the command `ABORT`. Further results of the modulation accuracy measurement can be then queried without restart of the measurement via the `:FETCh: BURSt`-subsystem.

This command is a query only and therefore has no \*RST value assigned. It is available only if measurement of the modulation accuracy is selected (see `:CONFIgure: BURSt: MACCuracy`).

**:READ:BURSt:MACCuracy:OSUPpress:STATus?**

This command starts the measurement of the modulation accuracy of the base station or mobile and reads out the status of the original offset suppression measurement taken over the selected number of bursts.

0: failed, 1: passed

**Example:** " :READ: BURS: MACC: OSUP: STAT? "

**Features:** \*RST value: --  
SCPI: device-specific

**Modes:** BTS, MS

When the measurement is started the instrument automatically assumes the SINGLE mode.

An ongoing measurement can be aborted via the command `ABORT`. Further results of the modulation accuracy measurement can be then queried without restart of the measurement via the `:FETCh: BURSt`-subsystem. This command is a query only and therefore has no \*RST value assigned. It is available only if measurement of the modulation accuracy is selected (see `:CONFIgure: BURSt: MACCuracy`).

**:READ:BURSt:MACCuracy:OSUPpress:AVERAge?**

This command starts the measurement of the modulation accuracy of the base station or mobile and reads out the average of the original offset suppression measurement taken over the selected number of bursts.

**Example:** " :READ: BURS: MACC: OSUP: AVER? "

**Features:** \*RST value: --  
SCPI: device-specific

**Modes:** BTS, MS

When the measurement is started the instrument automatically assumes the SINGLE mode.

An ongoing measurement can be aborted via the command `ABORT`. Further results of the modulation accuracy measurement can be then queried without restart of the measurement via the `:FETCh: BURSt`-subsystem. This command is a query only and therefore has no \*RST value assigned. It is available only if measurement of the modulation accuracy is selected (see `:CONFIgure: BURSt: MACCuracy`).

**:READ:BURSt:MACCuracy:OSUPpress:MAXimum?**

This command starts the measurement of the modulation accuracy of the base station or mobile and reads out the maximum of the original offset suppression measurement for the selected number of bursts.

**Example:** " :READ: BURS: MACC: OSUP: MAX? "

**Features:** \*RST value: --  
SCPI: device-specific

**Modes:** BTS, MS

When the measurement is started the instrument automatically assumes the SINGLE mode.

An ongoing measurement can be aborted via the command `ABORT`. Further results of the modulation accuracy measurement can be then queried without restart of the measurement via the `:FETCh: BURSt`-subsystem. This command is a query only and therefore has no \*RST value assigned. It is available only if measurement of the modulation accuracy is selected (see `:CONFIgure: BURSt: MACCuracy`).

**:READ:BURSt:MACCuracy:PERCentile:STATus?**

This command starts the measurement of the modulation accuracy of the base station or mobile and reads out the status of the 95% percentile measurement taken over the selected number of bursts.

0: failed, 1: passed

**Example:** " :READ:BURS:MACC:PERC:STAT? "

**Features:** \*RST value: --  
SCPI: device-specific

**Modes:** BTS, MS

When the measurement is started the instrument automatically assumes the SINGLE mode.

An ongoing measurement can be aborted via the command `ABORT`. Further results of the modulation accuracy measurement can be then queried without restart of the measurement via the `:FETCh:BURSt`-subsystem.

This command is a query only and therefore has no \*RST value assigned. It is available only if measurement of the modulation accuracy is selected (see `:CONFigure:BURSt:MACCuracy`).

**:READ:BURSt:MACCuracy:PERCentile:AVERage?**

This command starts the measurement of the modulation accuracy of the base station or mobile and reads out the average of the 95% percentile measurement taken over the selected number of bursts.

**Example:** " :READ:BURS:MACC:PERC:AVER? "

**Features:** \*RST value: --  
SCPI: device-specific

**Modes:** BTS, MS

When the measurement is started the instrument automatically assumes the SINGLE mode.

An ongoing measurement can be aborted via the command `ABORT`. Further results of the modulation accuracy measurement can be then queried without restart of the measurement via the `:FETCh:BURSt`-subsystem.

This command is a query only and therefore has no \*RST value assigned. It is available only if measurement of the modulation accuracy is selected (see `:CONFigure:BURSt:MACCuracy`).

**:READ:BURSt:MACCuracy:PERCentile:MAXimum?**

This command starts the measurement of the modulation accuracy of the base station or mobile and reads out the maximum of the 95% percentile measurement for the selected number of bursts.

**Example:** " :READ:BURS:MACC:PERC:MAX? "

**Features:** \*RST value: --  
SCPI: device-specific

**Modes:** BTS, MS

When the measurement is started the instrument automatically assumes the SINGLE mode.

An ongoing measurement can be aborted via the command `ABORT`. Further results of the modulation accuracy measurement can be then queried without restart of the measurement via the `:FETCh:BURSt`-subsystem.

This command is a query only and therefore has no \*RST value assigned. It is available only if measurement of the modulation accuracy is selected (see `:CONFigure:BURSt:MACCuracy`).

**:READ:BURSt:MACCuracy:FREQuency:STATus?**

This command starts the measurement of the modulation accuracy of the base station or mobile and reads out the status of the frequency error measurement taken over the selected number of bursts.

0: failed, 1: passed

**Example:** " :READ: BURS: MACC: FREQ: STAT? "

**Features:** \*RST value: --  
SCPI: device-specific

**Modes:** BTS, MS

When the measurement is started the instrument automatically assumes the SINGLE mode.

An ongoing measurement can be aborted via the command `ABORT`. Further results of the modulation accuracy measurement can be then queried without restart of the measurement via the `:FETCh: BURSt`-subsystem.

This command is a query only and therefore has no \*RST value assigned. It is available only if measurement of the modulation accuracy is selected (see `:CONFIgure: BURSt: MACCuracy`).

**:READ:BURSt:MACCuracy:FREQuency:AVERAge?**

This command starts the measurement of the modulation accuracy of the base station or mobile and reads out the average of the frequency error measurement taken over the selected number of bursts.

**Example:** " :READ: BURS: MACC: FREQ: AVER? "

**Features:** \*RST value: --  
SCPI: device-specific

**Modes:** BTS, MS

When the measurement is started the instrument automatically assumes the SINGLE mode.

An ongoing measurement can be aborted via the command `ABORT`. Further results of the modulation accuracy measurement can be then queried without restart of the measurement via the `:FETCh: BURSt`-subsystem.

This command is a query only and therefore has no \*RST value assigned. It is available only if measurement of the modulation accuracy is selected (see `:CONFIgure: BURSt: MACCuracy`).

**:READ:BURSt:MACCuracy:FREQuency:MAXimum?**

This command starts the measurement of the modulation accuracy of the base station or mobile and reads out the maximum of the frequency error measurement for the selected number of bursts.

**Example:** " :READ: BURS: MACC: FREQ: MAX? "

**Features:** \*RST value: --  
SCPI: device-specific

**Modes:** BTS, MS

When the measurement is started the instrument automatically assumes the SINGLE mode.

An ongoing measurement can be aborted via the command `ABORT`. Further results of the modulation accuracy measurement can be then queried without restart of the measurement via the `:FETCh: BURSt`-subsystem.

This command is a query only and therefore has no \*RST value assigned. It is available only if measurement of the modulation accuracy is selected (see `:CONFIgure: BURSt: MACCuracy`).

## READ:SPECTrum Subsystem

This subsystem provides the commands for starting measurements in the GSM BTS (option FSE-K11) and GSM MS (option FSE-K10) Analyzer mode, which are used to measure the power of the spectral components due to modulation and switching (modulation spectrum, transient spectrum), and for reading out the results subsequently.

COMMAND	PARAMETERS	UNIT	COMMENT
READ			
:SPECTrum			Option FSE-K11 or FSE-K10
:MODulation [:ALL]?	--		query only
:SWITching [:ALL]?	--		query only

### :READ:SPECTrum:MODulation[:ALL]?

This command starts the measurement of the modulation spectrum of the base station or mobile and reads out the result. The measurement is performed in the currently set frequency range.

**Parameter:** The result is read out as a list of partial ASCII result strings separated by ',' in the following format:

```
<Index>,<Freq1>,<Freq2>,<Level>,<Limit>,<Abs/Rel>,<Status> [,
<Index>,<Freq1>,<Freq2>,<Level>,<Limit>,<Abs/Rel>,<Status>]...
```

where the part set in '['...]' characterizes a partial result string which can be repeated n times.

<Index>:           0,                   if the partial result string characterizes a measurement range.  
                  current number <>0,                   if the partial result string characterizes a single limit excess.

<Freq1>:           Start frequency of the measurement range or frequency where the limit is exceeded.

<Freq2>:           Stop frequency of the measurement range or frequency where the measured range is exceeded. The value of <Freq2> is equal to the value of <Freq1>, if either the measurement is performed in the time domain or the partial result string contains a limit excess.

<Level>:           Measured maximum level of the partial range or measured level at the test point.

<Limit>:           Limit in the partial range or at the test point.

<Abs/Rel>:         ABS <Level> and <Limit> are in absolute units (dBm)  
                  REL <Level> and <Limit> are in relative units (dB)

<Status>:         Result of the limit check in character data form:  
                  PASSED           no limit exceeded  
                  FAILED           limit exceeded  
                  MARGIN          margin exceeded  
                  EXC             limited excess characterized as an exception

The frequencies <Freq1> and <Freq2> are always absolute and not referred to the carrier frequency.

**Example:**           ":READ:SPEC:MOD?"  
**Result:**       0,890E6,915E6,-87.4,-108.0,ABS,FAILED,  
                   1,893.2E6,893.2E6,-83.2,-108.0,ABS,FAILED,  
                   2,895.7E6,895.7E6,-87.4,-108.0,ABS,FAILED

**Features:**       \*RST value:    --  
                   SCPI:            device-specific

**Modes:**         BTS, MS

The command `ABORT` aborts an ongoing measurement.

This command is only a query and therefore has no \*RST value assigned. It is available only if measurement of the modulation spectrum is selected. (see `:CONFigure:SPECTrum:MODulation`).

**:READ:SPECTrum:SWITChing[:ALL]?**

This command starts the measurement of the transient spectrum of the base station or mobile and reads out the result.

**Parameter:**       The result is read out as a list of partial ASCII result strings separated by ',' in the format used for `READ:SPECTrum:MODulation[:ALL]?`.

**Example:**           ":READ:SPEC:SWIT?"  
**Result:**       0,833.4E6,833.4E6,37.4,-36.0,ABS,MARGIN,  
                   1,834.0E6,834.0E6,-35.2,-36.0,ABS,FAILED,  
                   2,834.6E6,834.6E6,-74.3,-75.0,REL,FAILED  
                   0,835.0E6,835.0E6,-65,0,-60.0,REL,PASSED

**Features:**       \*RST value:    --  
                   SCPI:            device-specific

**Modes:**         BTS, MS

The command `ABORT` aborts an ongoing measurement.

This command is only a query and therefore has no \*RST value assigned. It is available only if measurement of the transient spectrum is selected. (see `:CONFigure:SPECTrum:SWITChing`).

## READ:SPURious Subsystem

This subsystem provides the commands for starting measurements in the GSM BTS (option FSE-K11) and GSM MS (option FSE-K10) Analyzer mode, which are used to measure the power of spurious emissions, and for reading out the results subsequently.

COMMAND	PARAMETERS	UNIT	COMMENT
READ :SPURious [:ALL]? :STEP?			Option FSE-K11 or FSE-K10 query only query only

### :READ:SPURious[:ALL]?

This command starts the measurement of the spurious emissions of the base station or mobile and reads out the result. The measurement is performed in the currently set frequency range.

**Parameter:** The result is read out as a list of partial ASCII result strings separated by ',' in the following format:

```
<Index>,<Freq1>,<Freq2>,<Level>,<Limit>,<Abs/Rel>,<Status> [,
<Index>,<Freq1>,<Freq2>,<Level>,<Limit>,<Abs/Rel>,<Status>]...
```

where the part set in '['...]' characterizes a partial result string which can be repeated n times.

```
<Index>:      0,                if the partial result string characterizes a
                current number <>0,
                if the partial result string characterizes a
                single limit excess.
<Freq1>:      Start frequency of the measurement range or frequency where
                the limit is exceeded.
<Freq2>:      Stop frequency of the measurement range or frequency where
                the measured range is exceeded. The value of <Freq2> is
                equal to the value of <Freq1>, if either the measurement is
                performed in the time domain or the partial result string contains
                a limit excess.
<Level>:      Measured maximum level of the partial range or measured level
                at the test point.
<Limit>:      Limit in the partial range or at the test point.
<Abs/Rel>:    ABS <Level> and <Limit> are in absolute units (dBm)
                REL <Level> and <Limit> are in absolute units (dBm)
<Status>:    Result of the limit check in character data form:
                PASSED      no limit exceeded
                FAILED      limit exceeded
                MARGIN      margin exceeded
```

**Example:** " :READ:SPUR? "  
 Result: 0,890E6,915E6,-87.4,-108.0,ABS,FAILED,  
 1,893.2E6,893.2E6,-83.2,-108.0,ABS,FAILED,  
 2,895.7E6,895.7E6,-87.4,-108.0,ABS,FAILED

**Features:** \*RST value: --  
SCPI: device-specific

**Modes:** BTS, MS

The command `ABORT` aborts an ongoing measurement.

This command is only a query and therefore has no \*RST value assigned. It is available only if measurement of the spurious emissions is selected. (see `:CONFIGURE:SPURIOUS`).

### **:READ:SPURIOUS:STEP?**

This command starts the next single step for measuring the spurious emissions in the STEP mode and reads out the results. The measurement is performed in the currently set frequency range.

If the command `READ:SPURIOUS:STEP?` is sent again after the last single step is reached, the measurement sequence is terminated, the result of the last single step is output again and characterized by the value 'FINISHED' indicating its status. Until the status value 'FINISHED' is returned, the value 'RUNNING' is output when the total result of the limit check is queried with the command `:CALCULATE<1|2>:LIMIT<1 to 8>:SPURIOUS?`.

Afterwards, sending the command again causes a restart of the measurement.

**Parameter:** The measured result is read out as a list of partial result strings separated by ',' and in the same format as for the command `READ:SPURIOUS[:ALL]?`.

The additional status value 'FINISHED' marks the end of a measurement sequence.

**Example:** `" :READ:SPUR:STEP? "`  
Result: First query: 0,890E6,915E6,-87.4,-108.0,ABS,FAILED  
...  
Second-last query: 1,893.2E6,893.2E6,-83.2,-108.0,ABS,FAILED  
Last query: 1,893.2E6,893.2E6,-83.2,-108.0,ABS,FINISHED

**Features:** \*RST value: --  
SCPI: device-specific

**Modes:** BTS, MS

The command `ABORT` aborts an ongoing measurement. If the command `READ:SPURIOUS:STEP?` is sent again, the instrument restarts with the first single step.

This command is only a query and therefore has no \*RST value assigned. It is available only if measurement of the spurious emissions is selected. (see `:CONFIGURE:SPURIOUS`).

## SENSe Subsystem

The SENSe subsystem is itself divided up into several subsystems. The commands of these subsystems directly control device-specific settings, they do not refer to the signal characteristics of the measurement signal.

The SENSe subsystem controls the essential parameters of the analyzer and vector analyzer. In accordance with the SCPI standard, it is for this reason optional, which means that it is not necessary to include the SENSe node in command sequences.

In the split-screen representation, a distinction is made between SENSe1 and SENSe2:

SENSe1  $\hat{=}$  screen A;

SENSe2  $\hat{=}$  screen B

## SENSe:ADEMod Subsystem

This subsystem controls the parameters for analog demodulation. It is active only in conjunction with option Vector Signal Analysis, FSE-B7.

COMMAND	PARAMETERS	UNIT	COMMENT
[SENSe<1 2>] :ADEMod :AF :COUPling :SQUelch [:STATe] :LEVel :SBANd :RTIMe	AC   DC  <Boolean> <numeric_value> NORMal   INVerse <Boolean>	DBM	Vector Signal Analysis

### :[SENSe<1|2>]:ADEMod:AF:COUPling AC | DC

This command selects coupling of the AF-branch.

**Example:** " :ADEM:AF:COUP DC "

**Features:** \*RST value: AC  
SCPI: device-specific

**Mode:** VA-A

### :[SENSe<1|2>]:ADEMod:SQUelch[:STATe] ON | OFF

This command switches the squelch for the audio branch on or off.

**Example:** " :ADEM:SQU ON "

**Features:** \*RST value: OFF  
SCPI: device-specific

**Mode:** VA-A

**:[SENSe<1|2>:]ADEMod:SQUelch:LEVel** 30 to -150 dBm

This command defines the switching threshold for the squelch referred to the measured signal.

**Example:** " :ADEM:SQU -10DBM "

**Features:** \*RST value: -40dBm  
SCPI: device-specific

**Mode:** VA-A

**:[SENSe<1|2>:]ADEMod:SBANd** NORMAl | INVerse

This command selects the side band for the demodulation.

**Example:** " :ADEM:SBAN INV "

**Features:** \*RST value: NORMAl  
SCPI: device-specific

**Mode:** VA-A

**:[SENSe<1|2>:]ADEMod:RTIME** ON | OFF

This command selects whether the demodulation performed in real time or in blocks.

**Example:** " :ADEM:RTIM ON "

**Features:** \*RST value: ON  
SCPI: device-specific

**Mode:** VA-A

## SENSe:AVERage Subsystem

The SENSe:AVERage subsystem calculates the average of the data acquired. A new test result is obtained from various successive measurements. The amount of test points and the axis reference of the new result correspond to those of the original measurements.

COMMAND	PARAMETERS	UNIT	COMMENT
[SENSe<1 2>] :AVERage :COUNT :AUTO [:STATe] :TYPE	<numeric_value> <Boolean> <Boolean> MAXimum   SCALar	-- -- -- --	

**:[SENSe<1|2>:]AVERage:COUNT** 0 to 32767

The command specifies the number of measurements which are combined.

**Example:** " :AVER:COUN 16 "

**Features:** \*RST value: 0  
SCPI: conforming

**Modes:** A. VA-D

**:[SENSe<1|2>:]AVERage:COUNT:AUTO** ON | OFF

AUTO ON selects a suitable number of :COUNT for the respective type of measurement.

**Example:** " :AVER:COUN:AUTO ON "

**Features:** \*RST value: OFF  
SCPI: conforming

**Modes:** A. VA-D

**:[SENSe<1|2>:]AVERage[:STATe]** ON | OFF

The command switches on or off the average function.

**Example:** "AVER OFF"

**Features:** \*RST value: OFF  
SCPI: conforming

**Modes:** A, VA, BTS, MS

:**[SENSe<1|2>:]AVERAge:TYPE** MAXimum | MINimum | SCALar

The command selects the type of average function.

**Example:** " :AVER:TYPE SCAL "

**Features:** \*RST value: SCALar  
SCPI: conforming

**Modes:** A, VA, BTS, MS

The following average functions have been defined:

MAXimum (MAX HOLD):  $AVG(n) = MAX(X_1 \text{ to } .X_n)$

MINimum (MIN HOLD):  $AVG(n) = Min(X_1 \text{ to } .X_n)$

SCALar (AVERAGE):  $AVG(n) = \frac{1}{n} \times \sum_{i=1}^n x_i$

## SENSe:BANDwidth Subsystem

This subsystem controls the setting of the instrument's filter bandwidths. Both groups of commands (BANDwidth and BWIDth) perform the same functions.

COMMAND	PARAMETERS	UNIT	COMMENT
[SENSe<1 2>] :BANDwidth   :BWIDth [:RESolution] :AUTO :MODE :FFT :RATio  :VIDeo :AUTO :RATio  :DEMod :PLL	<numeric_value> <Boolean> ANALog DIGital <Boolean> <numeric_value>  <numeric_value> <Boolean> <numeric_value>   SINE   PULSe   NOISe <numeric_value> AUTO   HIGH   MEDium   LOW	HZ -- -- -- --  HZ -- --  HZ	   option FFT Filter      Vector Signal Analysis

**:[SENSe<1|2>]:BANDwidth|BWIDth[:RESolution] <numeric\_value>**

This command defines the analyzer's resolution bandwidth.

**Example:** " :BAND 1MHz "

**Features:** \*RST value: - (AUTO is set to ON)  
SCPI: conforming

**Modes:** A, VA, BTS, MS

The values for the resolution bandwidth are rounded in 1 | 2 | 3 | 5 steps.

In the GSM BTS/MS ANALYZER mode with option FSE-K11/K10, the command is available for POWER vs. TIME measurement. In this case, the parameters DEFault (bandwidth setting according to GSM standard), 300KHZ and 1MHZ are permitted.

**:[SENSe<1|2>:]BANDwidth|BWIDth[:RESolution]:AUTO** ON | OFF

This command either automatically couples the resolution bandwidth of the instrument to the span or cancels the coupling.

**Example:** " :BAND:AUTO OFF "

**Features:** \*RST value: ON  
SCPI: conforming

**Modes:** A, VA

The automatic coupling matches the resolution bandwidth to the currently set span according to the relationship between span and resolution bandwidth.

**:[SENSe<1|2>:]BANDwidth|BWIDth[:RESolution]:MODE** ANALog | DIGital

This command toggles between analog and digital resolution filters for the 1-kHz bandwidth.

**Example:** " :BAND:MODE DIG "

**Features:** \*RST value: ANALog  
SCPI: device-specific

**Mode:** A

Depending on the bandwidth, the resolution filters are automatically toggled between digital filters (<1kHz) and analog filters (>1kHz). The 1-kHz bandwidth is present in the instrument as a digital filter and as an analog filter and can be toggled using this command. If the analog filter is selected for the bandwidth 1kHz, the FFT-filtering for bandwidths  $\leq 1$ kHz is switched off.

**:[SENSe<1|2>:]BANDwidth|BWIDth[:RESolution]:MODE:FFT** ON | OFF

This command toggles the digital filters used for bandwidths  $\leq 1$  kHz between ordinary mode and FFT-filter mode.

**Example:** " :BAND:MODE:FFT ON "

**Features:** \*RST value: OFF  
SCPI: device-specific

**Mode:** A

The filter bandwidth of 1 kHz is switched to digital filtering for both ON and OFF.

This command is only available in conjunction with option FFT Filter.

**:[SENSe<1|2>:]BANDwidth|BWIDth[:RESolution]:RATio** 0.0001 to 1

This command defines the ratio resolution bandwidth (Hz) / span (Hz).

**Example:** " :BAND:RAT 0.1 "

**Features:** \*RST value: -- (AUTO is set to ON)  
SCPI: conforming

**Modes:** A, VA, R

The ratio to be entered is reciprocal to the ratio Span/RBW used in manual control.

**:[SENSe<1|2>:]BANDwidth|BWIDth:VIDeo** 1Hz to 10MHz

This command defines the instrument's video bandwidth.

**Example:** " :BAND:VID 10kHz "

**Features:** \*RST value: - (AUTO is set to ON)  
SCPI: conforming

**Mode:** A

The values for the video bandwidth are rounded in 1 | 2 | 3 | 5 steps.

**:[SENSe<1|2>:]BANDwidth|BWIDth:VIDeo:AUTO** ON | OFF

This command either automatically couples the instrument's video bandwidth to the resolution bandwidth or cancels the coupling.

**Example:** " :BAND:VID:AUTO OFF "

**Features:** \*RST value: ON  
SCPI: conforming

**Mode:** A

**:[SENSe<1|2>:]BANDwidth|BWIDth:VIDeo:RATIO** 0.001to 1000 | SINE | PULSE | NOISE

This command defines the ratio video bandwidth (Hz) / resolution bandwidth (Hz).

**Parameter:** The parameters SINE, PULSE and NOISE may be used as synonyms for the following values:

SINE: 1  
PULSE: 10  
NOISE: 0.1

**Example:** " :BAND:VID:RAT 10 "

**Features:** \*RST value: - (AUTO is set to ON)  
SCPI: conforming

**Modes:** A, VA

The ratio to be entered is reciprocal to the ratio RBW/VBW used in manual control.

**:[SENSe<1|2>:]BANDwidth|BWIDth:DEMod**

5kHz to 200kHz (Real Time on) | 5kHz to 5MHz (Real Time off)

This command defines the demodulation bandwidth of the instrument for analog demodulation.

**Example:** " :BAND:DEM 100KHZ "

**Features:** \*RST value: 100KHZ  
SCPI: device-specific

**Mode:** VA-A

The values for the demodulation bandwidth are rounded in steps of 1 | 2 | 3 | 5.

**:[SENSe<1|2>:]BANDwidth|BWIDth:PLL** AUTO | HIGH | MEDium | LOW

This command defines the bandwidth of the main PLL of the instrument synthesizer.

**Example:** " :BAND:PLL HIGH "

**Features:** \*RST value: AUTO  
SCPI: device-specific

**Mode:** A

## SENSe:CORRection-Subsystem

The SENSe:CORRection-subsystem controls the correction of measured results by means of frequency-dependent correction factors (e. g. for antenna or cable attenuation).

It also controls calibration and normalization during operation with the option Tracking Generator .

COMMAND	PARAMETERS	UNIT	COMMENT
[SENSe<1 2>] :CORRection			option Tracking Generator
:METHod	TRANsmission   REFLexion		
:COLLect			
[ACQuire]	THRough   OPEN		no query
[:STATe]	<Boolean>		
:RECall			no query
:TRANsducer			
:CATalog?			query only
:ACTive?			query only
:SELect	<name>		
:UNIT	<string>		
:SCALing	LINear   LOGarithmic		
:COMMeNT	<string>		
:DATA	<freq> , <level> ..	HZ , --	
[:STATe]	<Boolean>		
:DELete	--	--	no query
:TSET			
:CATalog?			query only
:ACTive?			query only
:SELect	<name>		
:UNIT	<string>		
:BReak	<Boolean>		
:COMMeNT	<string>		
:RANGe<1 to 10>	<freq> , <freq> , <name> ..	HZ, HZ, --	
[:STATe]	<Boolean>		
:DELete	--	--	no query
:LOSS			option FSE-K11 or FSE-K10
:INPut			
[:MAGNitude]	<numeric_value>	DB	
:RXGain			option FSE-K11 or FSE-K10
:INPut			
[:MAGNitude]	<numeric_value>	DB	
:CVL			option external mixer output
:CATalog?			query only
:SELect	<file_name>		
:MIxer	<string>		
:SNUMber	<string>		
:BANd	A Q U V E W F D G Y J		
:TYPE	ODD   EVEN   EODD		
:PORTs	2   3		
:BIAS	<numeric_value>	A	
:COMMeNT	<string>		
:DATA	<freq> , <level> ..	HZ , DB	
:CLear	--	--	no query

**:[SENSe<1|2>:]CORRection[:STATe] ON | OFF**

This command activates/deactivates normalization of the measurement results.

**Example:** " :CORR ON "

**Features:** \*RST value: OFF  
SCPI: conforming

**Mode:** A

This command is only valid in conjunction with option Tracking Generator.

**:[SENSe<1|2>:]CORRection:METhod TRANsmission | REFLExion**

This command selects the kind of measurement with active tracking generator (transmission/reflexion).

**Example:** " :CORR:METh TRAN "

**Features:** \*RST value: TRANsmission  
SCPI: device specific

**Mode:** A

This command is only valid in conjunction with option Tracking Generator.

**:[SENSe<1|2>:]CORRection:COLLect[:ACQuire] THRough | OPEN**

This command selects the kind of measurement for the reference values of the normalization (response calibration).

**Example:** " :CORR:COLL THR "

**Features:** \*RST value:  
SCPI: conforming

**Mode:** A

THRough "TRANsmission" mode: calibration with direct connection between tracking generator and device input.

"REFLExion" mode: calibration with short circuit at the input

OPEN only valid in "REFLExion" mode:calibration with open input

This command is an event which is why it is not assigned an \*RST value an a query. It is only valid in conjunction with option Tracking Generator.

**:[SENSe<1|2>:]CORRection:RECall**

This command restores the instrument setting that was valid for the measurement of the reference data.

**Example:** " :CORR:REc "

**Features:** \*RST value: -  
SCPI: conforming

**Mode:** A

This command is an event which is why it is not assigned an \*RST value and a query. It is only valid in conjunction with option Tracking Generator.

**:[SENSe<1|2>]:CORRection:TRANsducer:CATalog?**

This command reads out the names of all transducer factors stored on the harddisk.

Syntax of output format:

<Sum of file lengths of all subsequent files>,<free memory on hard disk>,  
<1st file name>,,<1st file length>,<2nd file name>,,<2nd file length>,.....,<nth file name>,  
<nth file length>

**Example:** " : CORR : TRAN : CAT ? "

**Feature:** \*RST value: -  
SCPI: device-specific

**Mode:** A

**:[SENSe<1|2>]:CORRection:TRANsducer:ACTive?**

This command reveals the active transducer factor. If no transducer factor is switched on, a void string will be output.

**Example:** " : CORR : TRAN : ACT ? "

**Feature:** \*RST value: -  
SCPI: device-specific

**Mode:** A

**:[SENSe<1|2>]:CORRection:TRANsducer:SELEct <name>**

This command selects the transducer factor designated by <name>. If <name> does not exist yet, a new transducer factor is created.

**Parameter:** <name>::= Name of the transducer factor in string data form with a maximum of 8 characters.

**Example:** " : CORR : TRAN : SEL 'FACTOR1' "

**Features:** \*RST value: -  
SCPI: device-specific

**Mode:** A

This command must be sent prior to the subsequent commands for modifying/activating transducer factors.

**:[SENSe<1|2>]:CORRection:TRANsducer:UNIT <string>**

This command defines the unit of the transducer factor selected.

**Parameter:** <string>::= 'DB' | 'DBM' | 'DBMV' | 'DBUV' | 'DBUV/M' | 'DBUA' |  
'DBUA/M' | 'DBPW' | 'DBPT'

**Example:** " : CORR : TRAN : UNIT 'DBUV' "

**Features:** \*RST value: 'DB'  
SCPI: device-specific

**Mode:** A

Prior to this command, the command SENS : CORR : TRAN : SEL must be sent.

**:[SENSe<1|2>:]CORRection:TRANsducer:SCALing** LINear | LOGarithmic

This command defines whether the frequency scaling of the transducer factor is linear or logarithmic.

**Example:** " :CORR:TRAN:SCAL LOG "

**Features:** \*RST value: LINear  
SCPI: device-specific

**Mode:** A

Prior to this command, the command SENS:CORR:TRAN:SEL must be sent.

**:[SENSe<1|2>:]CORRection:TRANsducer:COMMeNT** <string>

This command defines the comment for the selected transducer factor.

**Example:** " :CORR:TRAN:COMM 'FACTOR FOR ANTENNA' "

**Features:** \*RST value " (empty comment)  
SCPI: device specific

**Mode:** A

Prior to this command, the command SENS:CORR:TRAN:SEL must be sent.

**:[SENSe<1|2>:]CORRection:TRANsducer:DATA** <freq>,<level>..

This command defines the test points for the selected transducer factor. The values are entered as a series of frequency/level pairs. The frequencies must be in ascending order.

**Example:** " :CORR:TRAN:TRANsducer:DATA 1MHZ,-30,2MHZ,-40 "

**Features:** \*RST value: -  
SCPI: device-specific

**Mode:** A

Prior to this command, the command SENS:CORR:TRAN:SEL must be sent. The level values are sent as dimensionless numbers; the unit is specified by means of the command SENS:CORR:TRAN:UNIT.

**:[SENSe<1|2>:]CORRection:TRANsducer[:STATe]** ON | OFF

This command switches the selected transducer factor on or off.

**Example:** " :CORR:TRAN ON "

**Features:** \*RST value: OFF  
SCPI: device-specific

**Mode:** A

Prior to this command, the command SENS:CORR:TRAN:SEL must be sent.

**:[SENSe<1|2>:]CORRection:TRANsducer:DELeTe**

This command deletes the selected transducer factor.

**Example:** " : CORR : TRAN : DEL "

**Features:** \*RST value: -  
SCPI: device-specific

**Mode:** A

This command is an event and therefore has no \*RST value.

Prior to this command, the command SENS : CORR : TRAN : SEL must be sent.

**:[SENSe<1|2>:]CORRection:TSET:CATalog?**

This command polls the names of all transducer factors stored on the harddisk.

Syntax of output format:

<Sum of file lengths of all subsequent files>,<free memory on hard disk>,  
<1st file name>,,<1st file length>,<2nd file name>,,<2nd file length>,.....,<nth file name>,  
<nth file length>

**Example:** " : CORR : TSET : CAT? "

**Mode:** A

**Feature:** \*RST value: -  
SCPI: device-specific

**:[SENSe<1|2>:]CORRection:TSET:ACTive?**

This command reveals the active transducer set. If no transducer set is switched on, a void string will be output.

**Example:** " : CORR : TSET : ACT? "

**Feature:** \*RST value: -  
SCPI: device-specific

**Mode:** A

**:[SENSe<1|2>:]CORRection:TSET:SELEct <name>**

This command selected the transducer set designated by <name>. If <name> does not exist yet, a new set is created.

**Parameter:** <name>::= name of the transducer set in string data form with a maximum of 8 characters.

**Example:** " : CORR : TSET : SEL 'SET1' "

**Features:** \*RST value: -  
SCPI: device-specific

**Mode:** A

This command must be sent prior to the subsequent commands for changing/activating the transducer sets.

**:[SENSe<1|2>:]CORRection:TSET:UNIT** 'DB' | 'DBM' | 'DBUV' | 'DBUV/M' | 'DBUA' | 'DBUA/M' | 'DBPW' | 'DBPT'

This command defines the unit of the selected transducer sets. When assigning transducer factors to the set, only factors which are compatible to the selected unit, i. e. factors with the same unit or the unit dB, are allowed.

**Example:** " :CORR:TSET:UNIT 'DBUV' "

**Features:** \*RST value: 'DB'  
SCPI: device-specific

**Mode:** A

Prior to this command, the command `SENS:CORR:TSET:SEL` must be sent.

**:[SENSe<1|2>:]CORRection:TSET:BReak ON | OFF**

This command defines if the sweep is to be stopped on changeover from range to another.

**Example:** " :CORR:TSET:BR E ON "

**Features:** \*RST value: OFF  
SCPI: device-specific

**Mode:** A

Prior to the above command, the command `SENS:CORR:TSET:SEL` must be sent.

**:[SENSe<1|2>:]CORRection:TSET:COMMeNT <string>**

This command defines the comment for the selected transducer set.

**Example:** " :CORR:TSET:COMM 'SET FOR ANTENNA' "

**Features:** \*RST value " (empty comment)  
SCPI: device specific

**Mode:** A

Prior to this command, the command `SENS:CORR:TSET:SEL` must be sent.

**:[SENSe<1|2>:]CORRection:TSET:RANGe<1 to 10> <freq>,<freq>,<name>..**

This command defines a partial range of the selected transducer set. The partial range is determined by its start and stop frequencies plus a list of names of the assigned transducer factors. The ranges 1 to 10 must be sent in ascending order.

**Parameter:** <freq>,<freq>::= start frequency, stop frequency of the range  
<name>...::= list of names for the assigned transducer factors.  
The individual names must be characterized by single quotation marks (') and separated by commas.

**Example:** " :CORR:TRAN:TSET:RANG 1MHZ,2MHZ,'FACTOR1','FACTOR2' "

**Features:** \*RST value: -  
SCPI: device-specific

**Mode:** A

Prior to this command, the command `SENS:CORR:TSET:SEL` must be sent.

**:[SENSe<1|2>:]CORRection:TSET[:STATe] ON | OFF**

This command switches the selected transducer set on or off.

**Example:** " :CORR:TSET ON"  
**Features:** \*RST value: OFF  
 SCPI: device-specific  
**Mode:** A

Prior to this command, the command SENS:CORR:TSET:SEL must be sent.

**:[SENSe<1|2>:]CORRection:TSET:DELeTe**

This command deletes the selected transducer set.

**Example:** " :CORR:TSET:DEL"  
**Features:** \*RST value: -  
 SCPI: device-specific  
**Mode:** A

This command is an event and thus has no \*RST value assigned.

Prior to this command, the command SENS:CORR:TSET:SEL must be sent.

**:[SENSe<1|2>:]CORRection:LOSS:INPut[:MAGNitude] <numeric\_value>**

This command announces to the instrument a possibly needed external attenuation of the input signal, so that it is taken into account later when the level is set.

**Parameter:** <numeric\_value>::= value of external attenuation in dB.  
**Example:** " :CORR:LOSS:INP 30DB "  
**Features:** \*RST value: 20dB  
 SCPI: device-specific  
**Modes:** BTS, MS

The external attenuation must be selected such that the input power of the analyzer does not exceed 27 dBm.

**:[SENSe<1|2>:]CORRection:RXGain:INPut[:MAGNitude] <numeric\_value>**

This command announces to the instrument a possibly needed preamplification in the RX-band (RX BAND GAIN), so that it is taken into account later when the measured values are read out.

**Parameter:** <numeric\_value>::= value of the amplification in dB.  
**Example:** " :CORR:RXG:INP 30DB "  
**Features:** \*RST value: 0 dB  
 SCPI: device-specific  
**Modes:** BTS, MS

**:[SENSe<1|2>:]CORRection:CVL:CATalog?**

This command polls the names of all conversion-loss tables stored on the harddisk.

Syntax of output format:

<Sum of file lengths of all subsequent files>,<free memory on hard disk>,  
<1st file name>,,<1st file length>,<2nd file name>,,<2nd file length>,,...,<nth file name>,  
<nth file length>

**Example:** " : CORR : CVL : CAT ? "

**Feature:** \*RST value: -  
SCPI: device-specific

**Mode:** A

This command is only valid in conjunction with option External Mixer Output, FSE-B21.

**:[SENSe<1|2>:]CORRection:CVL:SElect <file\_name>**

This command selects the Conversion Loss Table designated with <file\_name>. If <file\_name> is not available, a new Conversion Loss Table will be created.

**Parameter:** <file\_name>::= Name of Conversion Loss Table as string data with  
a maximum of 8 characters

**Example:** " : CORR : CVL : SEL ' LOSS\_TAB ' "

**Features:** \*RST value: -  
SCPI: device-specific

**Mode:** A

This command must be sent prior to the subsequent commands used to change/activate the Conversion Loss files. It is only valid in conjunction with option External Mixer Output, FSE-B21.

**:[SENSe<1|2>:]CORRection:CVL:MIXer <string>**

This command defines the type designation of the mixer in the Conversion Loss Table.

**Parameter:** <string>::= Type designation of mixer with a maximum of 16 characters

**Example:** " : CORR : CVL : MIX ' FSE\_Z60 ' "

**Features:** \*RST value: -  
SCPI: device-specific

**Mode:** A

Command `SENS:CORR:CVL:SEL` must be sent prior to this command. This command is only valid in conjunction with option External Mixer Output, FSE-B21.

**:[SENSe<1|2>:]CORRection:CVL:SNUMber <string>**

This command defines the serial number of the mixer in the Conversion Loss Table.

**Parameter:** <string>:= Serial number of mixer with a maximum of 16 characters

**Example:** " :CORR:CVL:SNUM '123.4567' "

**Features:** \*RST value: -  
SCPI: device-specific

**Mode:** A

Command `SENS:CORR:CVL:SEL` must be sent prior to this command. This command is only valid in conjunction with option External Mixer Output, FSE-B21.

**:[SENSe<1|2>:]CORRection:CVL:BAND A|Q|U|V|E|W|F|D|G|Y|J**

This command defines the waveguide band in the Conversion Loss Table.

**Example:** " :CORR:CVL:BAND E "

**Features:** \*RST value: -  
SCPI: device-specific

**Mode:** A

Command `SENS:CORR:CVL:SEL` must be sent prior to this command. This command is only valid in conjunction with option External Mixer Output, FSE-B21.

**:[SENSe<1|2>:]CORRection:CVL:TYPE ODD | EVEN | EODD**

This command defines the type of harmonic in the Conversion Loss Table.

**Example:** " :CORR:CVL:TYPE EODD "

**Features:** \*RST value: -  
SCPI: device-specific

**Mode:** A

Command `SENS:CORR:CVL:SEL` must be sent prior to this command. This command is only valid in conjunction with option External Mixer Output, FSE-B21.

**:[SENSe<1|2>:]CORRection:CVL:PORTs 2 | 3**

This command defines the type of mixer in the Conversion Loss Table.

**Example:** " :CORR:CVL:PORT 3 "

**Features:** \*RST value: -  
SCPI: device-specific

**Mode:** A

Command `SENS:CORR:CVL:SEL` must be sent prior to this command. This command is only valid in conjunction with option External Mixer Output, FSE-B21.

**:[SENSe<1|2>:]CORRection:CVL:BIAS <numeric\_value>**

This command defines the bias current in the Conversion Loss Table.

**Example:** " :CORR:CVL:BIAS 7mA"

**Features:** \*RST value: -  
SCPI: device-specific

**Mode:** A

Command `SENS:CORR:CVL:SEL` must be sent prior to this command. This command is only valid in conjunction with option External Mixer Output, FSE-B21.

**:[SENSe<1|2>:]CORRection:CVL:COMMeNT <string>**

This command defines the comment in the Conversion Loss Table.

**Parameter:** <string>:= Comment of mixer with a maximum of 60 characters

**Example:** " :CORR:CVL:COMMENT 'MIXER FOR BAND U' "

**Features:** \*RST value: -  
SCPI: device-specific

**Mode:** A

Command `SENS:CORR:CVL:SEL` must be sent prior to this command. This command is only valid in conjunction with option External Mixer Output, FSE-B21.

**:[SENSe<1|2>:]CORRection:CVL:DATA <freq>,<level>..**

This command defines the reference values of the selected Conversion Loss Tables. The values are entered as a result of frequency/level pairs. The frequencies have to be sent in ascending order.

**Example:** " :CORR:CVL:DATA 1MHZ,-30DB,2MHZ,-40DB"

**Features:** \*RST value: -  
SCPI: device-specific

**Mode:** A

Command `SENS:CORR:CVL:SEL` must be sent prior to this command. This command is only valid in conjunction with option External Mixer Output, FSE-B21.

**:[SENSe<1|2>:]CORRection:CVL:CLEAr**

This command deletes the selected Conversion Loss Table.

**Example:** " :CORR:CVL:CLEAR"

**Features:** \*RST value: -  
SCPI: device-specific

**Mode:** A

This command is an event which is why it is not assigned an \*RST value.

Command `SENS:CORR:CVL:SEL` must be sent prior to this command. This command is only valid in conjunction with option External Mixer Output, FSE-B21.

## SENSe:DETECTOR Subsystem

The SENSe:DETECTOR subsystem controls the recording of measurement values via the type of detector selected for each trace.

The suffix in SENSe<1|2> is not significant in this subsystem.

COMMAND	PARAMETERS	UNIT	COMMENT
[SENSe<1 2>] :DETECTOR<1to4> [:FUNCTION]  :AUTO	APEak   NEGative   POSitive   SAMPlE   RMS   AVERage <Boolean>	--	

**:[SENSe<1|2>]:DETECTOR<1 to 4>[:FUNCTION] APEak | NEGative | POSitive | SAMPlE | RMS | AVERage**

This command switches the detector for recording of the measured value.

**Example:** " :DET POS "

**Features:** \*RST value: APEak  
SCPI: conforming

**Mode:** A

The value "APEak" (AutoPeak) displays both the positive peak value and the negative peak value when noise is present. The positive peak value is displayed when one signal is present. The trace is selected by means of the numeric suffix after DETECTOR.

**:[SENSe<1|2>]:DETECTOR<1 to 4>[:FUNCTION]:AUTO ON | OFF**

This command either couples the detector to the current trace setting or turns coupling off.

**Example:** " :DET:AUTO OFF "

**Features:** \*RST value: ON  
SCPI: conforming

**Mode:** A

The trace is defined by the numeric suffix at DETECTOR.



**:[SENSe<1|2>:]DDEMod:FORMat** QPSK | PSK | MSK | QAM | FSK

This command selects the digital demodulation type.

**Example:** " :DDEM:FORM QPSK "  
**Features:** \*RST value: MSK  
 SCPI: device-specific  
**Mode:** VA-D

**:[SENSe<1|2>:]DDEMod:SBANd** NORMal | INVerse

This command selects the sideband for the demodulation.

**Example:** " :DDEM:SBAN INV "  
**Features:** \*RST value: NORMal  
 SCPI: device-specific  
**Mode:** VA-D

**:[SENSe<1|2>:]DDEMod:QPSK:FORMat** NORMal | DIFFerential | OFFSet | DPI4

This command determines the specific demodulation type for QPSK.

**Example:** " :DDEM:QPSK:FORM DPI4 "  
**Features:** \*RST value: -  
 SCPI: device-specific  
**Mode:** VA-D

**:[SENSe<1|2>:]DDEMod:PSK:NState** 2 | 8

This command determines the specific demodulation type for PSK.

**Example:** " :DDEM:PSK:NST 2 "  
**Features:** \*RST value: -  
 SCPI: device-specific  
**Mode:** VA-D

Value 2 (i.e. PSK2) corresponds to BPSK demodulation, value 8 the 8PSK demodulation.

**:[SENSe<1|2>:]DDEMod:PSK:FORMat** NORMal | DIFFerential | N3Pi8

This command determines the specific demodulation type for PSK.

**Example:** " :DDEM:PSK:FORM DIFF "  
**Features:** \*RST value: -  
 SCPI: device-specific  
**Mode:** VA-D

**:[SENSe<1|2>:]DDEMod:MSK:FORMat** TYPE1 | TYPE2 | NORMAl | DIFFerential

This command determines the specific demodulation type for MSK.

**Example:** " :DDEM:MSK:FORM TYPE2 "

**Features:** \*RST value: TYPE2 | DIFFerential  
SCPI: device-specific

**Mode:** VA-D

TYPE1 | NORMAl corresponds to MSK demodulation, TYPE2 | DIFFerential corresponds to DMSK demodulation.

**:[SENSe<1|2>:]DDEMod:QAM:NSTate** 16

This command determines the specific demodulation type for QAM.

**Example:** " :DDEM:QAM:NST 16 "

**Features:** \*RST value: 16  
SCPI: device-specific.

**Mode:** VA-D

**:[SENSe<1|2>:]DDEMod:FSK:NSTate** 2 | 4

This command determines the specific demodulation type for FSK.

**Example:** " :DDEM:FSK:NST 2 "

**Features:** \*RST- value: -  
SCPI: device-specific

**Mode:** VA-D

The parameter 2 corresponds to the demodulation type 2FSK, the parameter 4 to the demodulation type 4FSK.

**:[SENSe<1|2>:]DDEMod:SRATe** 160 Hz to 1.6 MHz

This command defines the symbol rate.

**Example:** " :DDEM:SRAT 18kHz "

**Features:** \*RST value: 270.833333kHz  
SCPI: device-specific

**Mode:** VA-D

**:[SENSe<1|2>:]DDEMod:TIME** 1 to Frame Length

The command determines the number of displayed symbols (result length).

**Example:** " :DDEM:TIME 80 "

**Features:** \*RST value: 147  
SCPI: device-specific

**Mode:** VA-D

**:[SENSe<1|2>:]DDEMod:PRATe** 1 | 2 | 4 | 8 | 16

This command determines the number of points per symbol.

**Example:** " :DDEM:PRAT 8 "  
**Features:** \*RST value: 4  
 SCPI: device-specific  
**Mode:** VA-D

**:[SENSe<1|2>:]DDEMod:FILTer:MEASurement** OFF | RCOSine | RRCosine | GAUSsian| B22 | B25 | B44 | QFM | FM95 | QFR | FR95 | QRM | RM95 | QRR | RR95 | A25Fm | EMES | EREF

This command selects the input filter for the test signal.

B22	Bessel 22
B25	Bessel 25
B44	Bessel 44
QFM or FM95	IS95-CDMA fm
QFR or FR95	IS95-CDMA fr
QRM or RM95	IS95-CDMA rm
QRR or RR95	IS95-CDMA rr
A25Fm	APCO 25 fm
EMES	EDGE mes
EREF	EDGE ref

**Example:** " :DDEM:FILT:MEAS RCOS "  
**Features:** \*RST value: OFF  
 SCPI: device-specific  
**Mode:** VA-D

**:[SENSe<1|2>:]DDEMod:FILTer:REFerence** RCOSine | RRCosine | GAUSsian| B22 | B25 | B44 | QFM | FM95 | QFR | FR95 | QRM | RM95 | QRR | RR95 | A25Fm | EMES | EREF

This command selects the input filter for the reference signal.

**Example:** " :DDEM:FILT:REF RCOS "  
**Features:** \*RST value: GAUSsian  
 SCPI: device-specific  
**Mode:** VA-D

**:[SENSe<1|2>:]DDEMod:FILTer:ALPHA** 0.2 to 1

This command determines the filter characteristic (ALPHA/BT). Step width is 0.05.

**Example:** " :DDEM:FILT:ALPH 0.5 "  
**Features:** \*RST value: 0.3  
 SCPI: device-specific  
**Mode:** VA-D

**:[SENSe<1|2>:]DDEMod:NORMALize ON | OFF**

This command switches normalizing of the unit circle on or off using IQ offset.

**Example:** " :DDEM:NORM OFF "  
**Features:** \*RST value: ON  
 SCPI: device-specific  
**Mode:** VA-D

**:[SENSe<1|2>:]DDEMod:SEARch:PULSe:STATe ON | OFF**

This command switches the signal burst search on or off.

**Example:** " :DDEM:SEAR:PULS:STAT OFF "  
**Features:** \*RST value: ON  
 SCPI: device-specific  
**Mode:** VA-D

**:[SENSe<1|2>:]DDEMod:SEARch:SYNC:CATalog?**

This command polls the names of all sync-file data sets stored on the harddisk. Syntax of output format:

<Sum of file lengths of all subsequent files>,<free memory on hard disk>,  
 <1st file name>,,<1st file length>,<2nd file name>,,<2nd file length>,.....,<nth file name>,

**Example:** " :DDEM:SEAR:SYNC:CAT? "  
**Feature:** \*RST value: -  
 SCPI: device-specific  
**Mode:** VA-D

**:[SENSe<1|2>:]DDEMod:SEARch:SYNC:SElect <string>**

This command selects a predefined sync file. A file that has been set previously by the command DDEM:SEARch:SYNC:PATtern becomes invalid.

**Example:** " :DDEM:SEAR:SYNC:SEL "PATT\_1" "  
**Feature:** \*RST value: ""  
 SCPI: device-specific  
**Mode:** VA-D

**:[SENSe<1|2>:]DDEMod:SEARch:SYNC:OFFSet <numeric\_value>**

This command defines the offset of the display with reference to the synchronization sequence.

**Example:** " :DDEM:SEAR:SYNC:OFFS 10SYM "  
**Features:** \*RST value: 0 SYM  
 SCPI: device-specific  
**Mode:** VA-D

**:[SENSe<1|2>:]DDEMod:SEARCh:SYNC:PATtern <string>**

This command defines the synchronization sequence. A file that has been set previously by the command `DDEM:SEARCh:SYNC:SELEct` becomes invalid.

**Example:**           ":DDEM:SEAR:SYNC:PATT "1101001"

**Features:**        \*RST value:     ""  
                  SCPI:            device-specific

**Mode:**            VA-D

**:[SENSe<1|2>:]DDEMod:SEARCh:SYNC:STATe ON | OFF**

This command switches the search for a synchronization sequence on or off.

**Example:**           ":DDEM:SEARCh:SYNC:STAT ON"

**Features:**        \*RST value:     OFF  
                  SCPI:            device-specific

**Mode:**            VA-D

**:[SENSe<1|2>:]DDEMod:SEARCh:SYNC:NAME <string>**

This command selects a sync file to be edited or entered anew.

**Example:**           ":DDEM:SEAR:SYNC:NAME "PATT\_NEW"

**Feature:**         \*RST value:     ""  
                  SCPI:            device-specific

**Mode:**            VA-D

**:[SENSe<1|2>:]DDEMod:SEARCh:SYNC:COMMeNT <string>**

This command defines a comment on a sync file. This sync file must be previously selected by the command `DDEM:SEARCh:SYNC:NAME`.

**Example:**           ":DDEM:SEAR:SYNC:COMM "PATTERN FOR PPSK"

**Feature:**         \*RST value:     ""  
                  SCPI:            device-specific

**Mode:**            VA-D

**:[SENSe<1|2>:]DDEMod:SEARCh:SYNC:DATA <string>**

This command defines a synchronization pattern for the sync file. Inputs other than "1" or "0" are interpreted as "Don't Care Bits". This sync file must be previously selected by the command `DDEM:SEARCh:SYNC:NAME`.

**Example:**           ":DDEM:SEAR:SYNC:DATA "1101001"

**Feature:**         \*RST value:     ""  
                  SCPI:            device-specific

**Mode:**            VA-D

**:[SENSe<1|2>:]DDEMod:SEARch:SYNC:DELeTe <string>**

This command deletes a synchronization pattern on the hard disk. This sync file must be previously selected by the command `DDEM:SEARch:SYNC:NAME`.

**Example:**           ":DDEM:SEAR:SYNC:DEL  
**Features:**        \*RST-value:    "  
                   SCPI:            device-specific  
**Mode:**            VA-D

**:[SENSe<1|2>:]DDEMod:SEARch:SYNC:MONLy ON | OFF**

For setting ON, this command sets the analyzer so that the measured values are displayed and taken into account in the error analysis only if the set sync pattern is found. Bursts with a wrong sync pattern (sync not found) are ignored. If an invalid sync pattern is found or if there is none, the measurement is halted and continued in the presence of a valid sync pattern.

This command is available only if the search for a synchronization sequence is activated (`DDEM:SEARch:SYNC:STATe = ON`).

**Example:**           ":DDEM:SEAR:SYNC:MONL ON"  
**Features:**        \*RST value:    OFF  
                   SCPI:            device specific  
**Mode:**            VA-D

**:[SENSe<1|2>:]DDEMod:SEARch:TIME 100 to 1600**

This command determines the number of symbols required for demodulation (frame length). The values > 800 are only permissible if the number of points per symbol is <16, the values > 1600 only if the number of points per symbol is <8. Step width is 100.

**Example:**           ":DDEM:SEAR:TIME 800"  
**Features:**        \*RST value:    400  
                   SCPI:            device-specific  
**Mode:**            VA-D

**:[SENSe<1|2>:]DDEMod:PRESet** GSM | EDGe | TETRa | DCS1800 | PCS1900 |PHS | PDCup | PDCDown | APCO25CQPSK | APCO25C4FM | CDPD | DECT | CT2 | ERMes | MODacom | PWT | TFTS | F16 | F322 | F324 | F64| FQCDma | F95Cdma | RQCDma | R95Cdma | FNADc | RNADc

This command selects an automatic setting of all modulation parameters according to a standard transmission method.

**Example:** " :DDEM:PRES TETR "

**Features:** \*RST value: GSM  
SCPI: device-specific

**Mode:** VA-D

APCO25CQPSK	APCO25 Continuous Phase QPSK
APCO25C4FM	APCO25Continuous Phase 4FM
F16	FLEX 1600 - 2FSK
F322	FLEX 3200 - 2FSK,
F324	FLEX 3200 - 4FSK
F64	FLEX 6400 - 4FSK
FNADc	Forward NADC
RNADc	Reverse NADC
FQCDma or F95Cdma	Forward CDMA acc. to IS95 Standard
RQCDma or R95Cdma	Reverse CDMA acc. to IS95 Standard

**:[SENSe<1|2>:]TCAPture:LENGth** 1024 | 2048 | 4096 | 8192 | 16384

This command determines the number of sampling points that are written into the memory for each measurement (memory size).

**Example:** "TCAP:LENG 1024"

**Features:** \*RST value: 16384  
SCPI: device-specific

**Mode:** VA-D

## SENSe:FILTer Subsystem

The SENSe:FILTer subsystem selects the filters in the video signal path. This subsystem is active only in the Vector Signal Analysis mode (option FSE-B7).

COMMAND	PARAMETERS	UNIT	COMMENT
[SENSe<1 2>] :FILTer			Vector Signal Analyzer
:HPASs			
[:STATe]	<Boolean>	--	
:FREQUency	<numeric_value>	HZ	
:LPASs			Vector Signal Analyzer
[:STATe]	<Boolean>	--	
:FREQUency	<numeric_value>	HZ   PCT	
:CCITt			
[:STATe]	<Boolean>	--	
:CMESsage			
[:STATe]	<Boolean>	--	
:DEMPHasis			
[:STATe]	<Boolean>	--	
:TCONstant	<numeric_value>	S	
:LINK	DISPlay   AUDio		

### :[SENSe<1|2>]:FILTer:HPASs[:STATe] ON | OFF

This command activates the high-pass filter in the AF-branch for analog demodulation.

**Example:** " :FILT:HPAS ON"

**Features:** \*RST value: OFF  
SCPI: conforming

**Mode:** VA-A

### :[SENSe<1|2>]:FILTer:HPASs:FREQUency 30 Hz | 300 Hz

In the Vector Signal Analysis mode with analog demodulation, this command defines the frequency limit of the high-pass filter in the AF-branch. For REAL TIME ON absolute frequencies are entered, for REAL TIME OFF, the frequencies are entered relative to the demodulation bandwidth.

**Example:** " :FILT:HPAS:FREQ 300HZ"

**Features:** \*RST value: - (STATe = OFF)  
SCPI: conforming

**Mode:** VA-A

### :[SENSe<1|2>]:FILTer:LPASs[:STATe] ON | OFF

This command activates the low-pass filter in the AF-branch with analog demodulation.

**Example:** " :FILT:LPAS ON"

**Features:** \*RST value: OFF  
SCPI: conforming

**Mode:** VA-A

On switching to ON, a bandwidth of 3 kHz for REAL TIME ON and a bandwidth of 5 PCT for REAL TIME OFF is set automatically.

**:[SENSe<1|2>:]FILTer:LPASs:FREQuency** <numeric\_value>

This command defines the frequency limit of the low-pass filter in the NF-branch for analog demodulation.

**Parameter:** <numeric\_value> ::= 3 kHz | 15 kHz for REAL TIME ON  
5 PCT | 10 PCT | 25 PCT for REAL TIME OFF

**Example:** " :FILT:LPAS:FREQ 3KHZ" for REAL TIME ON  
" :FILT:LPAS:FREQ 25PCT" for REAL TIME OFF

**Features:** \*RST value: - (STATe = OFF)  
SCPI: conforming

**Mode:** VA-A

**:[SENSe<1|2>:]FILTer:CCITt[:STATe]** ON | OFF

This command activates the weighting filter according to CCITT-recommendation in the AF-branch for analog demodulation.

**Example:** " :FILT:CCIT ON"

**Features:** \*RST value: OFF  
SCPI: conforming

**Mode:** VA-A

This command is valid only in vector analysis mode with REAL TIME OFF.

**:[SENSe<1|2>:]FILTer:CMESsage[:STATe]** ON | OFF

This command activates the C-message weighting filter according to CCITT-recommendation in the AF-branch for analog demodulation.

**Example:** " :FILT:CMES ON"

**Features:** \*RST value: OFF  
SCPI: conforming

**Mode:** VA-A

This command is valid only in vector analysis mode with REAL TIME OFF.

**:[SENSe<1|2>:]FILTer:DEMPHasis[:STATe]** ON | OFF

This command activates the selected de-emphasis for analog demodulation.

**Example:** " :FILT:DEMP ON"

**Features:** \*RST value: OFF  
SCPI: conforming

**Mode:** VA-A

**:[SENSe<1|2>:]FILTer:DEMPHasis:TCONstant** 50US | 75US | 750US

This command sets the time constant of the de-emphasis for analog demodulation.

**Example:** " :FILT:DEMP:TCON 75US "

**Features:** \*RST value: 50us  
SCPI: conforming

**Mode:** VA-A

**:[SENSe<1|2>:]FILTer:DEMPHasis:LINK** DISPlay | AUDio

For analog demodulation, this command selects whether the de-emphasis set is to be active in the audio branch only or in addition for the display of measured values.

**Example:** " :FILT:DEMP:LINK DISP "

**Features:** \*RST value: AUDio  
SCPI: device-specific

**Mode:** VA-A

AUDio De-emphasis effective in the audio branch only

DISPlay De-emphasis effective in the audio branch and in the display of measured values

## SENSe:FREQuency Subsystem

The SENSe:FREQuency subsystem defines the frequency axis of the active display. The frequency axis can either be defined via the start/stop frequency or via the center frequency and span.

COMMAND	PARAMETERS	UNIT	COMMENT
[SENSe<1 2>] :FREQuency			
:CENTer	<numeric_value>	HZ	
:LINK	START   STOP   SPAN	--	
:STEP	<numeric_value>	HZ	
:LINK	SPAN   RBW   OFF	--	
:FACTor	<numeric_value>	PCT	
:SPAN	<numeric value>	HZ	
:FULL	--	--	
:LINK	CENTer   START   STOP	--	
:START	<numeric_value>	HZ	
:LINK	CENTer   STOP   SPAN	--	
:STOP	<numeric_value>	HZ	
:LINK	CENTer   START   SPAN	--	
:MODE	CW   FIXed   SWEep	--	
:OFFSet	<numeric_value>	HZ	

### :[SENSe<1|2>]:FREQuency:CENTer 0 GHz to $f_{max}$

This command defines the center frequency of the analyzer.

**Example:** " :FREQ:CENT 100MHz "

**Features:** \*RST value:  $f_{max} / 2$   
SCPI: conforming

**Modes:** A, VA, MS, BTS

The automatic coupling of the parameters is set to SPAN FIXED.

### :[SENSe<1|2>]:FREQuency:CENTer:LINK START | STOP | SPAN

This command defines the coupling of the center frequency to the start, stop frequency or the frequency span.

**Example:** " :FREQ:CENT:LINK STAR "

**Features:** \*RST value: SPAN  
SCPI: device-specific

**Mode:** A

### :[SENSe<1|2>]:FREQuency:CENTer:STEP 0 to $f_{max}$

This command defines the step width of the center frequency.

**Example:** " :FREQ:CENT:STEP 120MHz "

**Features:** \*RST value: - (AUTO 0.1  $\times$  SPAN is switched on)  
SCPI: conforming

**Modes:** A, VA, BTS, MS

**:[SENSe<1|2>:]FREQUENCY:CENTer:STEP:LINK** SPAN | RBW | OFF

This command couples the step width of the center frequency to span (span >0) or to the resolution bandwidth (span = 0) or cancels the couplings.

**Example:** " :FREQ:CENT:STEP:LINK SPAN "

**Features:** \*RST value: SPAN  
SCPI: device-specific

**Modes:** A, BTS, MS

**:[SENSe<1|2>:]FREQUENCY:CENTer:STEP:LINK:FACTor** 1 to 100 PCT

This command couples the step width of the center frequency with a factor to the span (span >0) or to the resolution bandwidth (span = 0).

**Example:** " :FREQ:CENT:STEP:LINK:FACT 20PCT "

**Features:** \*RST value: - (AUTO 0.1 × SPAN is switched on)  
SCPI: device-specific

**Modes:** A, BTS, MS

**:[SENSe<1|2>:]FREQUENCY:SPAN** 0 GHz to  $f_{\max}$ 

This command defines the frequency span of the analyzer.

**Example:** " :FREQ:SPAN 10MHz "

**Features:** \*RST value:  $f_{\max}$   
SCPI: conforming

**Mode:** A

The automatic coupling of the parameters is set to CENTER FIXED.

**:[SENSe<1|2>:]FREQUENCY:SPAN:FULL**

This command sets the maximum frequency span of the analyzer.

**Example:** " :FREQ:SPAN:FULL "

**Features:** \*RST value: -  
SCPI: conforming

**Mode:** A

This command is an event which is why it is not assigned an \*RST value and has no query.

**:[SENSe<1|2>:]FREQUENCY:SPAN:LINK** CENTER | START | STOP

This command defines the coupling for frequency-span changes.

**Example:** " :FREQ:SPAN:LINK STOP "

**Features:** \*RST value: CENTER  
SCPI: conforming

**Mode:** A

**:[SENSe<1|2>:]FREQUency:STARt** 0 GHz to  $f_{\max}$

This command defines the start frequency of the analyzer.

**Example:** " :FREQ:STAR 20MHz "

**Features:** \*RST value: 0  
SCPI: conforming

**Mode:** A

The automatic coupling of the parameters is set to STOP FIXED.

**:[SENSe<1|2>:]FREQUency:STARt:LINK** CENTER | STOP | SPAN

This command defines the coupling for start-frequency changes.

**Example:** " :FREQ:STAR:LINK SPAN "

**Features:** \*RST value: STOP  
SCPI: device-specific

**Mode:** A

**:[SENSe<1|2>:]FREQUency:STOP** 0 GHz to  $f_{\max}$

This command defines the stop frequency of the scan in receiver mode or the stop frequency of the analyzer.

**Example:** " :FREQ:STOP 2000MHz "

**Features:** \*RST value:  $f_{\max}$   
SCPI: conforming

**Mode:** A

The automatic coupling of the parameters is set to STARt FIXED.

**:[SENSe<1|2>:]FREQUency:STOP:LINK** CENTER | STARt | SPAN

This command defines the coupling for stop-frequency changes.

**Example:** " :FREQ:STOP:LINK SPAN "

**Features:** \*RST value: STARt  
SCPI: device-specific

**Mode:** A

**:[SENSe<1|2>:]FREQuency:MODE CW | FIXed | SWEEp**

This command switches between frequency (SWEEp) and time (CW | FIXed) domain in the analyzer mode.

**Example:** " :FREQ:MODE SWE "

**Features:** \*RST value: CW  
SCPI: conforming

**Mode:** A

For CW and FIXed, the frequency setting is via command FREQuency:CENTer. In the SWEEp mode, the setting is via commands FREQuency:START, STOP, CENTer and SPAN.

**:[SENSe<1|2>:]FREQuency:OFFSet <numeric\_value>**

This command defines the frequency offset of the instrument.

**Example:** " :FREQ:OFFS 1GHZ "

**Features:** \*RST value: 0 Hz  
SCPI: conforming

**Modes:** A, VA

## SENSe:MIXer - Subsystem

The SENSe:MIXer subsystem controls the settings of the external mixer. It is only active in Analyzer mode (INSTrument SANalyzer).

This subsystem is available only if the instrument is equipped with the external mixer output (option FSE-B21)

The suffix in SENSe<1|2> is not significant in this subsystem.

COMMAND	PARAMETERS	UNIT	COMMENT
:[SENSe<1 2>:] :MIXer			
[:STATe]	<Boolean>	--	
:BLOCK	<Boolean>		
:PORTs	2   3		
:SIGNal	OFF   ON   AUTO		
:THReshold	<numeric_value>		
:HARMonic	<numeric_value>	--	Only query in band lock on
:TYPE	ODD   EVEN   EODD		Not in band lock off
:BAND	A Q U V E W F D G Y J		Not in band lock off
:LOSS			
[:LOW]	<numeric_value>	DB	
:HIGH	<numeric_value>	DB	Not in band lock off
:TABLE	<file_name>		
:BIAS	<numeric_value>	A	

### :[SENSe<1|2>:]MIXer[:STATe] ON | OFF

This command activates or shuts off the external mixer.

Example: " :MIX ON"

**Features:** \*RST value: OFF  
SCPI: device-specific

**Mode:** A

This command is available only in conjunction with option FSE-B21, External Mixer Output.

### :[SENSe<1|2>:]MIXer:BLOCK ON | OFF

This command activates the BAND LOCK ON or BAND LOCK OFF mode.

Example: " :MIX:BLOC ON"

**Features:** \*RST value: OFF  
SCPI: device-specific

**Mode:** A

This command is available only if the external mixer (option FSE-B21) is switched on.

**:[SENSe<1|2>:]MIXer:PORTs 2 | 3**

This command activates the 2- or 3-port mixer. In the BAND LOCK ON mode, the command refers to the active band selected with `SENSe:MIXer:HARMonic:BAND`.

**Example:** `" :MIX:PORT 3 "`

**Features:** \*RST value: 2  
SCPI: device-specific

**Mode:** A

This command is available only if the external mixer (option FSE-B21) is switched on.

**:[SENSe<1|2>:]MIXer:SIGNal ON | OFF | AUTO**

This command activates the Signal ID or Auto ID mode.

**Example:** `" :MIX:SIGN ON "`

**Features:** \*RST value: OFF  
SCPI: device-specific

**Mode:** A

This command is available only if the external mixer (option FSE-B21) is switched on.

**:[SENSe<1|2>:]MIXer:THReshold 0.1 to 100 dB**

This command sets the level threshold for auto ID.

**Example:** `" :MIX:THR 20 "`

**Features:** \*RST value: 10  
SCPI: device-specific

**Mode:** A

The command is available only if the external mixer (option FSE-B21) is switched on.

**:[SENSe<1|2>:]MIXer:HARMonic 1 to 62**

With BAND LOCK OFF, this command sets the nth harmonic. The command may be a query with BAND LOCK ON.

**Example:** `" :MIX:HARM 5 "`

**Features:** \*RST value: 2  
SCPI: conforming

**Mode:** A

The command is available only if the external mixer (option FSE-B21) is switched on.

**:[SENSe<1|2>:]MIXer:HARMonic:TYPE** ODD | EVEN | EODD

With BAND LOCK ON, this command sets the type of harmonic.

**Example:** " :MIX:HARM:TYPE EODD "

**Features:** \*RST value: EVEN  
SCPI: device-specific

**Mode:** A

The command is available only if the external mixer (option FSE-B21) is switched on.

**:[SENSe<1|2>:]MIXer:HARMonic:BAND** A|Q|U|V|E|W|F|D|G|Y|J

With BAND LOCK ON, this command sets the active band.

**Example:** " :MIX:HARM:BAND E "

**Features:** \*RST value: U  
SCPI: device-specific

**Mode:** A

The command is available only if the external mixer (option FSE-B21) is switched on.

**:[SENSe<1|2>:]MIXer:LOSS[:LOW]** <numeric\_value>

This command sets the conversion loss of the mixer.

**Example:** " :MIX:LOSS -12DB "

**Features:** \*RST value: 0 dB  
SCPI: conforming

**Mode:** A

The command is available only if the external mixer (option FSE-B21) is switched on.

**:[SENSe<1|2>:]MIXer:LOSS:HIGH** <numeric\_value>

With BAND LOCK ON, this command sets the conversion loss of the mixer for higher harmonics in bands with two harmonics (band A: even harmonics, band Q: odd harmonics).

**Example:** " :MIX:LOSS:HIGH -14DB "

**Features:** \*RST value: 0 dB  
SCPI: device-specific

**Mode:** A

The command is available only if the external mixer (option FSE-B21) is switched on.

**:[SENSe<1|2>:]MIXer:LOSS:TABLE** <file\_name>

This command sets a conversion loss table.

**Parameter:** <file\_name> := DOS file name

**Example:** " :MIX:LOSS:table 'mix\_1' "

**Features:** \*RST value: no table set  
SCPI: device-specific

**Mode:** A

The command is available only if the external mixer (option FSE-B21) is switched on.

**:[SENSe<1|2>:]MIXer:BIAS** <numeric\_value>

This command sets the bias current.

**Example:** " :MIX:BIAS 7mA "

**Features:** \*RST value: 0 A  
SCPI: conforming

**Mode:** A

The command is available only if the external mixer (option FSE-B21) is switched on.

## SENSe:MSUMmary Subsystem

This subsystem controls the modulation summary setting for analog demodulation. It is active only in conjunction with option Vector Analysis, FSE-B7.

COMMAND	PARAMETERS	UNIT	COMMENT
[SENSe<1 2>] :MSUMmary :AHOLd [:STATe] :MODE :RUNit :REFerence  :AUTO :MTIMe	<Boolean> ABSolute   RELative PCT   DB <numeric_value>  ONCE <numeric_value>	PCT   HZ   DEG   RAD   S	Vector Signal Analysis       no query

**:[SENSe<1|2>]:MSUMmary:AHOLd[:STATe] ON | OFF**

This command switches on the average/peak hold mode.

**Example:** " :MSUM:AHOL ON"

**Features:** \*RST value: OFF  
SCPI: device-specific

**Mode:** VA-A

**:[SENSe<1|2>]:MSUMmary:MODE ABSolute | RELative**

This command selects the absolute or relative indication of the summary marker values.

**Example:** " :MSUM:MODE REL"

**Features:** \*RST value: ABSolute  
SCPI: device-specific

**Mode:** VA-A

**:[SENSe<1|2>]:MSUMmary:RUNit PCT | DB**

This command selects the relative unit of the summary marker in the relative result display.

**Example:** " :MSUM:RUN DB"

**Features:** \*RST value: DB  
SCPI: device-specific

**Mode:** VA-A

**:[SENSe<1|2>:]MSUMmary:REFerence <numeric\_value>**

This command selects the reference modulation.

**Parameter:** <numeric\_value> := 0.001PCT to 1000PCT for AM  
0.1HZ to 10MHZ for FM  
0.0001RAD to 1000RAD for PM

**Example:** " :MSUM:REF 50PCT "

**Features:** \*RST value: 100PCTfor AM  
100KHZfor FM  
10RAD for PM  
SCPI: device-specific

**Mode:** VA-A

**:[SENSe<1|2>:]MSUMmary:REFerence:AUTO ONCE**

This command sets the current absolute measured values of the main modulation signal as reference values for the relative indication.

**Example:** " :MSUM:REF:AUTO ONCE "

**Features:** \*RST value: --  
SCPI: device-specific

**Mode:** VA-A

This command is an event and has therefore no query and no \*RST value assigned.

**:[SENSe<1|2>:]MSUMmary:MTIME 0.1 s | 1 s**

This command selects the measurement time for the summary markers.

**Example:** " :MSUM:MTIM 100US "

**Features:** \*RST value: 0.1S  
SCPI: device-specific

**Mode:** VA-A

## SENSe:POWer Subsystem

This subsystem controls the setting of the instrument's power measurements.

COMMAND	PARAMETER	UNIT	COMMENT
[SENSe<1 2>] :POWer :ACHannel :SPACing [:UPPer] :ACHannel :ALternate<1 2>	<numeric_value>	HZ	
:ACPairs	1   2   3		
:BANDwidth [:CHANnel] :ACHannel :ALternate<1 2>	<numeric_value>	HZ	
:BWIDth [:CHANnel] :ACHannel :ALternate<1 2>	<numeric_value>	HZ	
:MODE	ABSolute   RELative		
:REFerence :AUTO	ONCE		no query
:PRESet	ACPower   CPOWer   OBANdwidth   OBWidth   CN   CN0   ADJust		
:BANDwidth	<numeric_value>	PCT	
:BWIDth	<numeric_value>	PCT	

### :[SENSe<1|2>]:POWer:ACHannel:SPACing[:UPPer] 0 Hz to 1000 MHz

This command defines the channel spacing of adjacent channel to carrier.

**Example:** " :POW:ACH:SPAC 28kHz "

**Features:** \*RST value: 24 kHz  
SCPI: conforming

**Mode:** A-F

### :[SENSe<1|2>]:POWer:ACHannel:SPACing:ACHannel 0 Hz to 1000 MHz

This command defines the channel spacing of adjacent channel to carrier. This command has the same effect as POW:ACH:SPAC.

**Example:** " :POW:ACH:SPAC:ACH 338kHz "

**Features:** \*RST value: 24 kHz  
SCPI: device-specific

**Mode:** A-F

### :[SENSe<1|2>]:POWer:ACHannel:SPACing:ALternate<1|2> 0 Hz to 1000 MHz

This command defines the spacing of the first (ALternate1) or the second alternate adjacent channel (ALternate2) relative to the carrier signal.

**Example:** " :POW:ACH:SPAC:ALT1 99kHz "

**Features:** \*RST value: 24 kHz  
SCPI: device-specific

**Mode:** A-F

**:[SENSe<1|2>:]POWer:ACHannel:ACPairs 1 | 2 | 3**

This command sets the number of adjacent channels (upper and lower channel in pairs).

**Example:** " :POW:ACH:ACP 3 "

**Features:** \*RST value: 1  
SCPI: device-specific

**Mode:** A-F

**:[SENSe<1|2>:]POWer:ACHannel:BANDwidth|BWIDth[:CHANnel] 0 Hz to 1000 MHz**

This command sets the channel bandwidth of the radio communication system.

**Example:** " :POW:ACH:BWID 30kHz "

**Features:** \*RST value: 24 kHz  
SCPI: device-specific

**Mode:** A-F

If the channel bandwidth of the adjacent channel is changed the bandwidths of all alternate adjacent channels are automatically set to the same value.

**:[SENSe<1|2>:]POWer:ACHannel:BANDwidth|BWIDth:ACHannel 0 Hz to 1000 MHz**

This command defines the channel bandwidth of the adjacent channel of the radio transmission system.

**Example:** " :POW:ACH:BWID:ACH 30kHz "

**Features:** \*RST value: 24 kHz  
SCPI: device-specific

**Mode:** A-F

If the channel bandwidth of the adjacent channel is changed the bandwidths of all alternate adjacent channels are automatically set to the same value.

**:[SENSe<1|2>:]POWer:ACHannel:BANDwidth|BWIDth:ALTernate<1|2> 0 Hz to 1000 MHz**

This command defines the channel bandwidth of the first/second alternate adjacent channel of the radio transmission system.

**Example:** " :POW:ACH:BWID:ALT2 30kHz "

**Features:** \*RST value: 24 kHz  
SCPI: device-specific

**Mode:** A-F

If the channel bandwidth of the alternate adjacent channel no. 1 is changed the bandwidth of the alternate adjacent channel no. 2 is automatically set to the same value.

**:[SENSe<1|2>:]POWer:ACHannel:MODE** ABSolute | RELative

This command toggles between absolute and relative measurement.

**Example:** " :POW:ACH:MODE REL "

**Features:** \*RST value: ABSolute  
SCPI: device-specific

**Mode:** A-F

For the relative measurement the reference value is set to the currently measured channel power by command POW:ACH:REF:AUTO ONCE.

**:[SENSe<1|2>:]POWer:ACHannel:REFerence:AUTO** ONCE

This command sets the reference value to the currently measured channel power.

**Example:** " :POW:ACH:REF:AUTO ONCE "

**Features:** \*RST value: -  
SCPI: device-specific

**Mode:** A-F

This command is an event which is why it is not assigned an \*RST value and has no query.

**:[SENSe<1|2>:]POWer:ACHannel:PRESet** ACPower | CPOWer | OBANdwidth|OBWidth | CN | CN0 | ADJust

This command selects the type of power measurement and resets the instrument depending on the selected measurement.

The value ADJust optimizes automatically the settings (span, RBW, VBW and detector) of the analyzer for the power measurement selected by command :CALCulate<1|2>:MARKer:FUNCTion:POWer:SElect (see Softkey ADJUST CP SETTINGS).

**Example:** " :POW:ACH:REF:PRE ACP "

**Features:** \*RST value: -  
SCPI: device-specific

**Mode:** A-F

**:[SENSe<1|2>:]POWer:BANDwidth|BWIDth** 0 to 100PCT

This command defines the percentage of the power with respect to the total power.

**Example:** " :POW:BWID 95PCT "

**Features:** \*RST value: 99PCT  
SCPI: device-specific

**Mode:** A-F

This value defines the occupied bandwidth (measurement POW:ACH:PRE OBW).

## SENSe:ROSCillator Subsystem

This subsystem controls the reference oscillator. The suffix in SENSE<1|2> is not significant in this subsystem.

COMMAND	PARAMETERS	UNIT	COMMENT
[SENSe<1 2>] :ROSCillator :SOURCE :EXTERNAL :FREQUENCY [:INTERNAL] :TUNE :SAVE	INTERNAL   EXTERNAL       <numeric_value>   <numeric_value>	--       HZ	         no query

### :[SENSe<1|2>]:ROSCillator:SOURCE INTERNAL | EXTERNAL

This command controls selection of the reference oscillator.

**Example:** " :ROSC: SOUR EXT "

**Features:** \*RST value: –  
SCPI: conforming

**Modes:** A, VA, BTS, MS

If the external reference oscillator is selected, the reference signal must be connected to the rear panel of the instrument. \*RST has no influence on this setting.

### :[SENSe<1|2>]:ROSCillator:EXTERNAL:FREQUENCY 1MHz to 16MHz

This command defines the frequency of the external reference oscillator.

**Example:** " :ROSC: EXT: FREQ 5MHz "

**Features:** \*RST value: 10MHz  
SCPI: conforming

**Modes:** A, VA, BTS, MS

The value of the external reference frequency (1MHz to 16MHz) is rounded in steps of 1MHz.

### :[SENSe<1|2>]:ROSCillator[:INTERNAL]:TUNE 0 to 4095

This command defines the value for the tuning of the internal reference oscillator.

**Example:** " :ROSC: TUN 128 "

**Features:** \*RST value: –  
SCPI: device-specific

**Modes:** A, VA, BTS, MS

The reference oscillator should be tuned only if an error has been detected in the frequency accuracy check. After PRESET or switching on the instrument, the saved value of the reference frequency is restored.

### :[SENSe<1|2>]:ROSCillator[:INTERNAL]:TUNE:SAVE

This command saves the new value for the tuning of the internal reference oscillator. The factory-set value in the EEPROM is overwritten.

**Example:** " :ROSC: TUN: SAV "

**Features:** \*RST value: –  
SCPI: device-specific

**Modes:** A, VA, BTS, MS

## SENSe:SWEep Subsystem

This subsystem controls the sweep parameters.

COMMAND	PARAMETERS	UNIT	COMMENT
[SENSe<1 2>] :SWEep			
:TIME	<numeric_value>	S	
:AUTO	<Boolean>	--	
:COUNT	<numeric_value>	--	
:EGATE	<Boolean>	--	
:LEVEL	<numeric_value>	V	
:TYPE	LEVEL   EDGE	--	
:POLarity	POSitive   NEGative	--	
:HOLDoff	<numeric_value>	S	
:LENGTH	<numeric_value>	S	
:SOURce	EXTernal   RFPower	--	
:GAP	<Boolean>	--	
:PRETrigger	<numeric_value>	S	
:TRGTogap	<numeric_value>	S	
:LENGTH	<numeric_value>	S	
:SPACing	LINear   LOGarithmic		

### :[SENSe<1|2>]:SWEep:TIME <numeric\_value>

This command defines the duration of the sweep.

The allowed value range depends on the selected domain and, for frequency domain, on the set resolution bandwidth (see Chapter 4, Softkey SWEEP TIME MANUAL).

**Example:** " :SWE:TIME 10s "

**Features:** \*RST value - (AUTO is set to ON)  
SCPI: conforming

**Modes:** A, VA-A

If SWEep:TIME is directly programmed, automatic coupling is switched off.

### :[SENSe<1|2>]:SWEep:TIME:AUTO ON | OFF

This command switches the automatic coupling of the sweep time for the frequency span or bandwidth settings.

**Example:** " :SWE:TIME:AUTO ON "

**Features:** \*RST value: ON  
SCPI: conforming

**Mode:** A

If SWEep:TIME is directly programmed, automatic coupling is switched off.

## :[SENSe&lt;1|2&gt;:]SWEep:COUNT 0 to 32767

This command defines the number of sweeps started with single sweep.

**Example:** " :SWE:COUNT 64 "

**Features:** \*RST value: 0  
SCPI: conforming

**Modes:** A, VA-D

This parameter defines the number of sweeps or the number of averaging procedures. In the average mode, the value 0 defines a running averaging of measurement data over 10 sweeps.

## :[SENSe&lt;1|2&gt;:]SWEep:EGATe ON | OFF

This command controls the sweep with the external gate signal.

**Example:** " :SWE:EGAT ON "

**Features:** \*RST value: OFF  
SCPI: device-specific

**Mode:** A

## :[SENSe&lt;1|2&gt;:]SWEep:EGATe:LEVeL -5V to +5V

This command determines the threshold for the external gate signal.

**Example:** " :SWE:EGAT:LEV 3V "

**Features:** \*RST value: 2V  
SCPI: device-specific

**Mode:** A

If SWEep:TIME is directly programmed, automatic coupling is switched off.

## :[SENSe&lt;1|2&gt;:]SWEep:EGATe:TYPE LEVeL | EDGE

This command sets the type of triggering (level or edge) by the external gate signal.

**Example:** " :SWE:EGAT:TYPE EDGE "

**Features:** \*RST value: EDGE  
SCPI: device-specific

**Mode:** A

Parameter EGATe:LENGth is not used for level triggering.

## :[SENSe&lt;1|2&gt;:]SWEep:EGATe:POLarity POSitive | NEGative

This command determines the polarity of the external gate signal.

**Example:** " :SWE:EGAT:POL POS "

**Features:** \*RST value: POSitive  
SCPI: device-specific

**Mode:** A

**:[SENSe<1|2>:]SWEep:EGATe:HOLDoff** 0 to 100s

This command defines the delay time between the external gate signal and the continuation of the sweep.

**Example:** " :SWE:EGAT:HOLD 100us "

**Features:** \*RST value: 0s  
SCPI: device-specific

**Mode:** A

The values for the delay time can be set in steps 1, 2, 3 and 5.

**:[SENSe<1|2>:]SWEep:EGATe:LENGth** 0 to 100s

In case of edge triggering, this command determines the time interval in which the instrument sweeps.

**Example:** " :SWE:EGAT:LENG 10ms "

**Features:** \*RST value: 0s  
SCPI: device-specific

**Modes:** A

The values for the delay time can be set in steps 1, 2, 3 and 5.

**:[SENSe<1|2>:]SWEep:EGATe:SOURce** EXTernal | RFPower

This command toggles between external gate signal and RF power signal.

**Example:** " :SWE:EGAT:SOUR RFP "

**Features:** \*RST value: EXTernal  
SCPI: device-specific

**Mode:** A

**:[SENSe<1|2>:]SWEep:GAP** ON | OFF

This command controls the operating mode GAP SWEEP.

**Example:** " :SWE:GAP ON "

**Features:** \*RST value: OFF  
SCPI: device-specific

**Mode:** A-Z

Operating mode GAP SWEEP for measurements in the time domain controls the display of measured values. Measured values can be blanked for a defined time range (GAP).

**:[SENSe<1|2>:]SWEep:GAP:PRETrigger** 0 to 100s

This command defines the evaluation time for measured values before the pretrigger time (resolution: 50 ns).

**Example:** " :SWE:GAP:PRET 100us "

**Features:** \*RST value: 0s  
SCPI: device-specific

**Mode:** A

**:[SENSe<1|2>:]SWEep:GAP:TRGTogap** 0 to 100s

This command defines the time between the pretrigger time and the beginning of the gap (trigger-to-gap time) (resolution: 50 ns).

**Example:** " :SWE:GAP:TRGT 50us "

**Features:** \*RST value: 0s  
SCPI: device-specific

**Mode:** A

**:[SENSe<1|2>:]SWEep:GAP:LENGth** 0 to 100s

This command defines the gap length.

**Example:** " :SWE:GAP:LENG 400us "

**Features:** \*RST value: 0s  
SCPI: device-specific

**Mode:** A

The gap length can be programmed from 0 to 100s in steps of 1, 2, 3 and 5.

**:[SENSe<1|2>:]SWEep:SPACing** LINear | LOGarithmic

This command toggle between linear and logarithmic sweep.

**Example:** " :SWE:SPAC LOG "

**Features:** \*RST value: LIN  
SCPI: conforming

**Modes:** A,

The frequency axis is set to linear or logarithmic scaling accordingly.

## SENSe:TV Subsystem

This subsystem controls the optional TV-demodulator (only in conjunction with option TV-Demodulator, FSE-B3).

COMMAND	PARAMETERS	UNIT	COMMENT
[SENSe<1 2>] :TV [:STATe] :PSOffset	<Boolean> <numeric_value>	-- HZ	Option TV-Demodulator

### : [SENSe<1|2>]:TV[:STATe] ON | OFF

This command switches the optional TV-demodulator on or off.

**Example:** " :TV ON "

**Features:** \*RST value: OFF  
SCPI: device-specific

**Mode:** A-Z

This command is available only in conjunction with option TV-Demodulator, FSE-B3.

### : [SENSe<1|2>]:TV:PSOffset 0 to 6.5 MHz

This command defines the frequency offset between video and audio carrier of the measured signal.

**Example:** " :TV:PSOF 1 MHz "

**Features:** \*RST value: 5 MHz  
SCPI: device-specific

**Mode:** A-Z

This command is available only in conjunction with option TV-Demodulator, FSE-B3.



**:SOURce<1|2>:FM:STATe** ON | OFF

This command switches on or off the external frequency modulation of the tracking generator.

**Example:** " :SOUR:FM:STAT ON "

**Features:** \*RST-value: OFF  
SCPI: conforming

**Modes:** A, VA

External AM, external I/Q-modulation and frequency offset are switched off, if active. This command is only valid in conjunction with option Tracking Generator.

**:SOURce<1|2>:FREQuency:OFFSet** -200MHz to 200MHz

This command defines a frequency offset of the tracking generators to the current instrument frequency.

**Example:** " :SOUR:FREQ:OFFS "

**Features:** \*RST-value: 0 Hz  
SCPI: conforming

**Modes:** A, VA

External delta modulation is switched off, if active. This command is only valid in conjunction with option Tracking Generator.

**:SOURce<1|2>:POWer:ALC:SOURce** INTernal | EXTernal

This command switches on or off the external level control (ALC).

**Example:** " :SOUR:POW:ALC:SOUR INT "

**Features:** \*RST-value: INT  
SCPI: conforming

**Modes:** A, VA

External AM and external delta modulation are switched off, if active. This command is only valid in conjunction with option Tracking Generator.

**:SOURce<1|2>:POWer[:LEVel][:IMMediate][:AMPLitude]** -20dBm to 0dBm /  
Option FSE-B12: -90dBm to 0dBm

This command defines the level of the tracking generator.

**Example:** " :SOUR:POW -20dBm "

**Features:** \*RST-value: -20 dBm  
SCPI: conforming

**Modes:** A, VA

This command is only valid in conjunction with option Tracking Generator.

**:SOURce<1|2>:POWer[:LEVel][:IMMediate]:OFFSet** -200dB to +200dB

This command defines a level offset for the tracking generator.

**Example:** " :SOUR:POW:OFFS -10dB "

**Features:** \*RST-value: 0dB  
SCPI: conforming

**Modes:** A, VA

This command is only valid in conjunction with option Tracking Generator.

# STATus Subsystem

The STATus subsystem contains the commands for the status reporting system (see Chapter 5, Section "Status Reporting System"). \*RST does not influence the status registers. The commands and events causing the status reporting system to be reset are comprised in a table at the end of chapter 5.

COMMAND	PARAMETERS	UNIT	COMMENT
STATus			
:OPERation			
[:EVENT]?	--	--	
:CONDition?	--	--	
:ENABLE	0 to 65535	--	
:PTRansition	0 to 65535	--	
:NTRansition	0 to 65535	--	
:PRESet	--	--	
:QUEStionable			
[:EVENT]?	--	--	
:CONDition?	--	--	
:ENABLE	0 to 65535	--	
:PTRansition	0 to 65535	--	
:NTRansition	0 to 65535	--	
:POWer			
[:EVENT]?	--	--	
:CONDition?	--	--	
:ENABLE	0 to 65535	--	
:PTRansition	0 to 65535	--	
:NTRansition	0 to 65535	--	
:LIMit			
[:EVENT]?	--	--	
:CONDition?	--	--	
:ENABLE	0 to 65535	--	
:PTRansition	0 to 65535	--	
:NTRansition	0 to 65535	--	
:LMARgin			
[:EVENT]?	--	--	
:CONDition?	--	--	
:ENABLE	0 to 65535	--	
:PTRansition	0 to 65535	--	
:NTRansition	0 to 65535	--	
:SYNC			
[:EVENT]?	--	--	
:CONDition?	--	--	
:ENABLE	0 to 65535	--	
:PTRansition	0 to 65535	--	
:NTRansition	0 to 65535	--	
:ACPLimit			
[:EVENT]?	--	--	
:CONDition?	--	--	
:ENABLE	0 to 65535	--	
:PTRansition	0 to 65535	--	
:NTRansition	0 to 65535	--	

COMMAND	PARAMETERS	UNIT	COMMENT
STATUS			
:QUEStionable	--	--	
:FREQuency	--	--	
[:EVENT]?	0 to 65535	--	
:CONDition?	0 to 65535	--	
:ENABle	0 to 65535	--	
:PTRansition	--	--	
:NTRansition	--	--	
:TRANsducer			
[:EVENT]?	--	--	
:CONDition?	--	--	
:ENABle	0 to 65535	--	
:PTRansition	0 to 65535	--	
:NTRansition	0 to 65535	--	
:QUEue?	--	--	
[:NEXT]?	--	--	

**:STATus:OPERation[:EVENT]?**

This command queries the contents of the EVENT section of the :STATus:OPERation register.

**Example:** " :STAT:OPER? "

**Features:** \*RST value: –  
SCPI: conforming

**Modes:** A, VA, BTS, MS

The contents of the EVENT section is deleted with readout.

**:STATus:OPERation:CONDition?**

This command queries the CONDition section of the :STATus:OPERation register.

**Example:** " :STAT:OPER:COND? "

**Features:** \*RST value: –  
SCPI: conforming

**Modes:** A, VA, BTS, MS

Readout does not delete the contents of the CONDition section. The value returned reflects the current hardware status.

**:STATus:OPERation:ENABLE 0 to 65535**

This command sets the bits of the ENABLE section of the :STATus:QUEStionable register.

**Example:** " :STAT:OPER:ENAB 65535 "

**Features:** \*RST value: –  
SCPI: conforming

**Modes:** A, VA, BTS, MS

The ENABLE register selectively enables the individual events of the associated EVENT section for the sum bit in the status byte.

**:STATus:OPERation:PTRansition 0 to 65535**

This command sets the edge detectors of all bits of the :STATus:OPERation register from 0 to 1 for the transitions of the CONDition bit.

**Example:** " :STAT:OPER:PTR 65535 "

**Features:** \*RST value: –  
SCPI: conforming

**Modes:** A, VA, BTS, MS

**:STATus:OPERation:NTRansition 0 to 65535**

This command sets the edge detectors of all bits of the :STATus:OPERation register from 1 to 0 for the transitions of the CONDition bit.

**Example:** " :STAT:OPER:NTR 65535 "

**Features:** \*RST value: –  
SCPI: conforming

**Modes:** A, VA, BTS, MS

**:STATus:PRESet**

This command resets the edge detectors and ENABLE parts of all registers to a defined value. All PTRansition parts are set to FFFFh, i.e., all transitions from 0 to 1 are detected. All NTRansition parts are set to 0, i.e., a transition from 1 to 0 in a CONDition bit is not detected. The ENABLE part of the :STATus:OPERation and :STATus:QUEStionable registers are set to 0, i.e., all events in these registers are not passed on.

**Example:** " :STAT:PRES "

**Features:** \*RST value: –  
SCPI: conforming

**Modes:** A, VA, BTS, MS

**:STATus:QUEStionable[:EVENT]?**

This command queries the contents of the EVENT section of the :STATus:QUEStionable register.

**Example:** " :STAT:QUES?"

**Features:** \*RST value: –  
SCPI: conforming

**Modes:** A, VA, BTS, MS

Readout deletes the contents of the EVENT section.

**:STATus:QUEStionable:CONDition?**

This command queries the CONDition section of the :STATus:QUEStionable register.

**Example:** " :STAT:QUES:COND?"

**Features:** \*RST value: –  
SCPI: conforming

**Modes:** A, VA, BTS, MS

Readout does not delete the contents of the CONDition section.

**:STATus:QUEStionable:ENABle 0 to 65535**

This command sets the bits of the ENABle section of the STATus-QUEStionable register.

**Example:** " :STAT:QUES:ENAB 65535 "

**Features:** \*RST value: –  
SCPI: conforming

**Modes:** A, VA, BTS, MS

The ENABle register selectively enables the individual events of the associated EVENT section for the sum bit in the status byte.

**:STATus:QUEStionable:PTRansition 0 to 65535**

This command sets the edge detectors of all bits of the :STATus:OPERation register from 0 to 1 for the transitions of the CONDition bit.

**Example:** " :STAT:QUES:PTR 65535 "

**Features:** \*RST value: –  
SCPI: conforming

**Modes:** A, VA, BTS, MS

**:STATus:QUEStionable:NTRansition 0 to 65535**

This command sets the edge detectors of all bits of the :STATus:OPERation register from 1 to 0 for the transitions of the CONDition bit.

**Example:** " :STAT:QUES:NTR 65535 "

**Features:** \*RST value: –  
SCPI: conforming

**Modes:** A, VA, BTS, MS

**:STATus:QUEStionable:POWEr[:EVENT]?**

This command queries the contents of the EVENT section of the :STATus:QUEStionable:POWEr register.

**Example:** " :STAT:QUES?"

**Features:** \*RST value: –  
SCPI: conforming

**Modes:** A, VA, BTS, MS

Readout deletes the contents of the EVENT section.

**:STATus:QUEStionable:POWEr:CONDition?**

This command queries the content of the CONDition section of the :STATus:QUEStionable:POWEr register.

**Example:** " :STAT:QUES:COND?"

**Features:** \*RST value: –  
SCPI: conforming

**Modes:** A, VA, BTS, MS

Readout does not delete the contents of the CONDition section.

**:STATus:QUEStionable:POWEr:ENABle 0 to 65535**

This command sets the bits of the ENABle section of the :STATus:QUEStionable:POWEr register.

**Example:** " :STAT:QUES:ENAB 65535 "

**Features:** \*RST value: –  
SCPI: conforming

**Modes:** A, VA, BTS, MS

The ENABle register selectively enables the individual events of the associated EVENT section for the sum bit in the status byte.

**:STATus:QUEStionable:POWEr:PTRansition 0 to 65535**

This command sets the edge detectors of all bits of the :STATus:QUEStionable:POWEr register from 0 to 1 for the transitions of the CONDition bit.

**Example:** " :STAT:QUES:PTR 65535 "

**Features:** \*RST-value: –  
SCPI: conforming

**Modes:** A, VA, BTS, MS

**:STATus:QUEStionable:POWEr:NTRansition 0 to 65535**

This command sets the edge detectors of all bits of the :STATus:QUEStionable:POWEr register from 1 to 0 for the transitions of the CONDition bit.

**Example:** " :STAT:QUES:NTR 65535 "

**Features:** \*RST value: –  
SCPI: conforming

**Modes:** A, VA, BTS, MS

**:STATus:QUEStionable:LIMit[:EVENT]?**

This command queries the contents of the EVENT section of the :STATus:QUEStionable:LIMit register.

**Example:** " :STAT:QUES?"

**Features:** \*RST value: –  
SCPI: device-specific

**Modes:** A, VA, BTS, MS

Readout deletes the contents of the EVENT section.

**:STATus:QUEStionable:LIMit:CONDition?**

This command queries the contents of the CONDition section of the :STATus:QUEStionable:LIMit register.

**Example:** " :STAT:QUES:COND?"

**Features:** \*RST value: –  
SCPI: device-specific

**Modes:** A, VA, BTS, MS

Readout does not delete the contents of the CONDition section.

**:STATus:QUEStionable:LIMit:ENABle 0 to 65535**

This command sets the bits of the ENABle section of the :STATus:QUEStionable register.

**Example:** " :STAT:QUES:ENAB 65535 "

**Features:** \*RST value: –  
SCPI: device-specific

**Modes:** A, VA, BTS, MS

The ENABle register selectively enables the individual events of the associated EVENT section for the sum bit in the status byte.

**:STATus:QUEStionable:LIMit:PTRansition 0 to 65535**

This command sets the edge detectors of all bits of the :STATus:QUEStionable:LIMit register from 0 to 1 for the transitions of the CONDition bit.

**Example:** " :STAT:QUES:PTR 65535 "

**Features:** \*RST value: –  
SCPI: device-specific

**Modes:** A, VA, BTS, MS

**:STATus:QUEStionable:LIMit:NTRansition 0 to 65535**

This command sets the edge detectors of all bits of the :STATus:QUEStionable:LIMit register from 1 to 0 for the transitions of the CONDition bit.

**Example:** " :STAT:QUES:NTR 65535 "

**Features:** \*RST value: –  
SCPI: device-specific

**Modes:** A, VA, BTS, MS

**:STATus:QUEStionable:LMARgin[:EVENT]?**

This command queries the contents of the EVENT section of the :STATus:QUEStionable:LMARgin register.

**Example:** " :STAT:QUES? "

**Features:** \*RST value: –  
SCPI: device-specific

**Modes:** A, VA, BTS, MS

Readout deletes the contents of the EVENT section.

**:STATus:QUEStionable:LMARgin:CONDition?**

This command queries the contents of the CONDition section of the :STATus:QUEStionable:LMARgin register.

**Example:** " :STAT:QUES:COND? "

**Features:** \*RST value: –  
SCPI: device-specific

**Modes:** A, VA, BTS, MS

Readout does not delete the contents of the CONDition section.

**:STATus:QUEStionable:LMARgin:ENABLE 0 to 65535**

This command sets the bits of the ENABLE section of the :STATus:QUEStionable:LMARgin register.

**Example:** " :STAT:QUES:ENAB 65535 "

**Features:** \*RST value: –  
SCPI: device-specific

**Modes:** A, VA, BTS, MS

The ENABLE register selectively enables the individual events of the associated EVENT section for the sum bit in the status byte.

**:STATus:QUEStionable:LMARgin:PTRansition 0 to 65535**

This command sets the edge detectors of all bits of the :STATus:QUEStionable: LMARgin register from 0 to 1 for the transitions of the CONDition bit.

**Example:** " :STAT:QUES:PTR 65535 "

**Features:** \*RST value: –  
SCPI: device-specific

**Modes:** A, VA, BTS, MS

**:STATus:QUEStionable:LMARgin:NTRansition 0 to 65535**

This command sets the edge detectors of all bits of the :STATus:QUEStionable: LMARgin register from 1 to 0 for the transitions of the CONDition bit.

**Example:** " :STAT:QUES:NTR 65535 "

**Features:** \*RST value: –  
SCPI: device-specific

**Modes:** A, VA, BTS, MS

**:STATus:QUEStionable:SYNC[:EVENT]?**

This command queries the contents of the EVENT section of the :STATus:QUEStionable:SYNC register.

**Example:** " :STAT:QUES? "

**Features:** \*RST value: –  
SCPI: device-specific

**Modes:** A, VA, BTS, MS

Readout deletes the contents of the EVENT section.

**:STATus:QUEStionable:SYNC:CONDition?**

This command queries the contents of the CONDition section of the :STATus:QUEStionable:SYNC register.

**Example:** " :STAT:QUES:COND? "

**Features:** \*RST value: –  
SCPI: device-specific

**Modes:** A, VA, BTS, MS

Readout does not delete the contents of the CONDition section.

**:STATus:QUEStionable:SYNC:ENABLE 0 to 65535**

This command sets the bits of the ENABLE section of the :STATus:QUEStionable: SYNC register.

**Example:** " :STAT:QUES:ENAB 65535 "

**Features:** \*RST value: –  
SCPI: device-specific

**Modes:** A, VA, BTS, MS

The ENABLE register selectively enables the individual events of the associated EVENT section for the sum bit in the status byte.

**:STATus:QUEStionable:SYNC:PTRansition 0 to 65535**

This command sets the edge detectors of all bits of the :STATus:QUEStionable: SYNC register from 0 to 1 for the transitions of the CONDition bit.

**Example:** " :STAT:QUES:PTR 65535 "

**Features:** \*RST value: –  
SCPI: device-specific

**Modes:** A, VA, BTS, MS

**:STATus:QUEStionable:SYNC:NTRansition 0 to 65535**

This command sets the edge detectors of all bits of the :STATus:QUEStionable: SYNC register from 1 to 0 for the transitions of the CONDition bit.

**Example:** " :STAT:QUES:NTR 65535 "

**Features:** \*RST value: –  
SCPI: device-specific

**Modes:** A, VA, BTS, MS

**:STATus:QUEStionable:ACPLimit[:EVENT]?**

This command queries the contents of the EVENT section of the :STATus:QUEStionable:ACPLimit register.

**Example:** " :STAT:QUES:ACPL?"

**Features:** \*RST value: –  
SCPI: device-specific

**Modes:** A, VA, BTS, MS

Readout deletes the contents of the EVENT section.

**:STATus:QUEStionable:ACPLimit:CONDition?**

This command queries the contents of the CONDition section of the :STATus:QUEStionable:ACPLimit register.

**Example:** " :STAT:QUES:ACPL:COND?"

**Features:** \*RST value: –  
SCPI: device-specific

**Modes:** A, VA, BTS, MS

Readout does not delete the contents of the CONDition section.

**:STATus:QUEStionable:ACPLimit:ENABLE 0 to 65535**

This command sets the bits of the ENABLE section of the :STATus:QUEStionable:ACPLimit register.

**Example:** " :STAT:QUES:ACPL:ENAB 65535 "

**Features:** \*RST value: –  
SCPI: device-specific

**Modes:** A, VA, BTS, MS

The ENABLE register selectively enables the individual events of the associated EVENT section for the sum bit in the status byte.

**:STATus:QUEStionable:ACPLimit:PTRansition 0 to 65535**

This command sets the edge detectors of all bits of the :STATus:QUEStionable: ACPLimit register from 0 to 1 for the transitions of the CONDition bit.

**Example:** " :STAT:QUES:ACPL:PTR 65535 "

**Features:** \*RST value: –  
SCPI: device-specific

**Modes:** A, VA, BTS, MS

**:STATus:QUEStionable:ACPLimit:NTRansition 0 to 65535**

This command sets the edge detectors of all bits of the :STATus:QUEStionable: ACPLimit register from 1 to 0 for the transitions of the CONDition bit.

**Example:** " :STAT:QUES:ACPL:NTR 65535 "

**Features:** \*RST value: –  
SCPI: device-specific

**Modes:** A, VA, BTS, MS

**:STATus:QUEStionable:FREQuency[:EVENT]?**

This command queries the contents of the EVENT section of the :STATus:QUEStionableFREQuency register.

**Example:** " :STAT:QUES:FREQ? "

**Features:** \*RST value: –  
SCPI: device-specific

**Modes:** A, VA, BTS, MS

Readout deletes the contents of the EVENT section.

**:STATus:QUEStionable:FREQuency:CONDition?**

This command queries the contents of the CONDition section of the :STATus:QUEStionable:FREQuency register.

**Example:** " :STAT:QUES:FREQ:COND? "

**Features:** \*RST value: –  
SCPI: device-specific

**Modes:** A, VA, BTS, MS

Readout does not delete the contents of the CONDition section.

**:STATus:QUEStionable:FREQuency:ENABle 0 to 65535**

This command sets the bits of the ENABle section of the :STATus:QUEStionable:FREQuency register.

**Example:** " :STAT:QUES:FREQ:ENAB 65535 "

**Features:** \*RST value: –  
SCPI: device-specific

**Modes:** A, VA, BTS, MS

The ENABle register selectively enables the individual events of the associated EVENT section for the sum bit in the status byte.

**:STATus:QUEStionable:FREQuency:PTRansition 0 to 65535**

This command sets the edge detectors of all bits of the :STATus:QUEStionable:FREQuency register from 0 to 1 for the transitions of the CONDition bit.

**Example:** " :STAT:QUES:FREQ:PTR 65535 "

**Features:** \*RST value: –  
SCPI: device-specific

**Modes:** A, VA, BTS, MS

**:STATus:QUEStionable:FREQUency:NTRansition 0 to 65535**

This command sets the edge detectors of all bits of the :STATus:QUEStionable:FREQUency register from 1 to 0 for the transitions of the CONDition bit.

**Example:** " :STAT:QUES:FREQ:NTR 65535 "

**Features:** \*RST value: –  
SCPI: device-specific

**Modes:** A, VA, BTS, MS

**:STATus:QUEStionable:TRANsducer[:EVENT]?**

This command queries the contents of the EVENT section of the :STATus:QUEStionable:TRANsducer register.

**Example:** " :STAT:QUES:TRAN? "

**Features:** \*RST value: –  
SCPI: device-specific

**Modes:** A, VA, BTS, MS

Readout deletes the contents of the EVENT section.

**:STATus:QUEStionable:TRANsducer:CONDition?**

This command queries the contents of the CONDition section of the :STATus:QUEStionable:FREQUency register.

**Example:** " :STAT:QUES:TRAN:COND? "

**Features:** \*RST value: –  
SCPI: device-specific

**Modes:** A, VA, BTS, MS

Readout does not delete the contents of the CONDition section.

**:STATus:QUEStionable:TRANsducer:ENABle 0 to 65535**

This command sets the bits of the ENABle section of the :STATus:QUEStionable:TRANsducer register.

**Example:** " :STAT:QUES:TRAN:ENAB 65535 "

**Features:** \*RST value: –  
SCPI: device-specific

**Modes:** A, VA, BTS, MS

The ENABle register selectively enables the individual events of the associated EVENT section for the sum bit in the status byte.

**:STATus:QUEStionable:TRANsducer:PTRansition** 0 to 65535

This command sets the edge detectors of all bits of the :STATus:QUEStionable:TRANsducer register from 0 to 1 for the transitions of the CONDition bit.

**Example:** " :STAT:QUES:TRAN:PTR 65535 "

**Features:** \*RST value: –  
SCPI: device-specific

**Modes:** A, VA, BTS, MS

**:STATus:QUEStionable:TRANsducer:NTRansition** 0 to 65535

This command sets the edge detectors of all bits of the :STATus:QUEStionable:TRANsducer register from 1 to 0 for the transitions of the CONDition bit.

**Example:** " :STAT:QUES:TRAN:NTR 65535 "

**Features:** \*RST value: –  
SCPI: device-specific

**Modes:** A, VA, BTS, MS

**:STATus:QUEue[:NEXT]?**

This command queries the earliest entry to the error queue, thus deleting it.

**Example:** " :STAT:QUE? "

**Features:** \*RST value: –  
SCPI: conforming

**Modes:** A, VA, BTS, MS

Positive error numbers indicate device-specific errors, negative error numbers are error messages defined by SCPI (cf. Chapter 9). If the error queue is empty, the error number 0, "no error", is returned. This command is identical with the command `SYSTEM:ERROR`.

# SYSTEM Subsystem

This subsystem comprises a series of commands for general functions.

COMMAND	PARAMETERS	UNIT	COMMENT
SYSTEM			
:COMMunicate			
:GPIB			
[:SELF]			
:ADDRess	0 to 30	--	
:RTERminator	LFEoi   EOI		
:RDEvice<1 2>			
:ADDRess	0 to 30	--	
:SERial<1 2>			
:CONTrol			
:DTR	IBFull   OFF		
:RTS	IBFull   OFF		
[:RECeive]		--	
:BAUD	<numeric_value>	--	
:BITS	7   8		
:PARity			
[:TYPE]	EVEN   ODD   NONE	--	
:SBITs	1   2		
:PACE	XON   NONE	--	
:PRINter1 2>		--	FSE with NT controller
:ENUMerate			
[:NEXT]?			query only
:FIRSt?			query only
:SElect	<printer_name>	--	
:DATE	<num>, <num>, <num>		
:DISPlay		--	
:UPDate	ON   OFF		
:ERRor?	--		query only
:FIRMware		--	FSE with NT controller
:UPDate	<string>	--	no query
:PASSword		--	
[:CENable]	<string>	--	no query
:PRESet	--		no query
:SET	<block>		
:SPEaker<1 2>			
:VOLume	<numeric_value>		
:TIME	0 to 23, 0 to 59, 0 to 59		query only
:VERSion?	--		query only
:BINFo?	--		

**:SYSTEM:COMMunicate:GPIB[:SELF]:ADDRess** 0 to 30

This command changes the IEC/IEEE-bus address of the unit.

**Example:** " :SYST:COMM:GPIB:ADDR 18 "

**Features:** \*RST value: - (no influence on this parameter)  
 SCPI: conforming

**Modes:** A, VA, BTS, MS

**:SYSTEM:COMMunicate:GPIB[:SELF]:RTERminator** LFEOI | EOI

This command changes the delimiter.

**Example:** " :SYST:COMM:GPIB:RTER EOI "

**Features:** \*RST value: LFEOI  
SCPI: device-specific

**Modes:** A, VA, BTS, MS

The instrument contains a DMA-channel for communication via IEC-bus. This ensures maximum speed for the transfer of commands and data. The parser for command decoding integrated in the instrument is, however, only activated by the delimiter when the command is completely transferred. In order to make this possible for the transfer of binary data, too (e. g. trace data which are retransferred into the instrument), the delimiter recognition must be switched to the EOI signal prior to the transfer. Output of binary data from the instrument does not require such a switching.

**:SYSTEM:COMMunicate:GPIB:RDEvice<1|2>:ADDRess** 0 to 30

This command changes the IEC/IEEE-bus address of the unit which is selected as hardcopy device 1 or 2, provided that the IEC/IEEE-bus interface of this unit is set as an interface.

**Example:** " :SYST:COMM:GPIB:RDEV2:ADDR 5 "

**Features:** \*RST value: 4  
SCPI: conforming

**Modes:** A, VA, BTS, MS

**:SYSTEM:COMMunicate:SERial<1|2>:CONTrol:DTR** IBFull | OFF**:SYSTEM:COMMunicate:SERial<1|2>:CONTrol:RTS** IBFull | OFF

These commands switch the hardware handshake procedure for the given serial interface off (OFF) or on (IBFull).

**Examples:** " :SYST:COMM:SER:CONT:DTR OFF "  
" :SYST:COMM:SER2:CONT:RTS IBF "

**Features:** \*RST value: OFF  
SCPI: conforming

**Modes:** A, VA, BTS, MS

The two commands have the same meaning. SERial1 and SERial 2 correspond to device COM1 and COM2, respectively.

**:SYSTEM:COMMunicate:SERial<1|2>[:RECeive]:BAUD** 75 | 150 | 300 | 600 | 1200 | 2400 | 9600

This command sets the transmission speed for the given serial interface.

**Example:** " :SYST:COMM:SER:BAUD 2400 "

**Features:** \*RST value: 9600  
SCPI: conforming

**Modes:** A, VA, BTS, MS

SERial1 and SERial 2 correspond to device interface COM1 and COM2, respectively. Permissible values are 75 Baud, 150 Baud, 300 Baud, 600 Baud, 1200 Baud, 2400 Baud, 4800 Baud, 9600 Baud.

**:SYSTEM:COMMunicate:SERial<1|2>[:RECeive]:BITS 7 | 8**

This command defines the number of data bits per data word for the given serial interface.

**Example:** " :SYST:COMM:SER2:BITS 7 "

**Features:** \*RST value: 8  
SCPI: conforming

**Modes:** A, VA, BTS, MS

SERial1 and SERial 2 correspond to device interface COM1 and COM2, respectively.

**:SYSTEM:COMMunicate:SERial<1|2>[:RECeive]:PARity[:TYPE] EVEN | ODD | NONE**

This command defines the parity check for the given serial interface.

**Example:** " :SYST:COMM:SER:PAR EVEN "

**Features:** \*RST value: NONE  
SCPI: conforming

**Modes:** A, VA, BTS, MS

SERial1 and SERial 2 correspond to device interface COM1 and COM2, respectively. Permissible values are:

EVEN even parity  
ODD odd parity  
NONE no parity check.

**:SYSTEM:COMMunicate:SERial<1|2>[:RECeive]:SBITs 1|2**

This command defines the number of stopbits per data word for the given serial interface.

**Example:** " :SYST:COMM:SER:SBITs 2 "

**Features:** \*RST value: 1  
SCPI: conforming

**Modes:** A, VA, BTS, MS

SERial1 and SERial 2 correspond to device interface COM1 and COM2, respectively.

**:SYSTEM:COMMunicate:SERial<1|2>[:RECeive]:PACE XON | NONE**

This command switches on or off the software handshake for the given serial interface.

**Example:** " :SYST:COMM:SER:PACE XON "

**features:** \*RST value: NONE  
SCPI: conforming

**Modes:** A, VA, BTS, MS

SERial1 and SERial 2 correspond to device interface COM1 and COM2, respectively.

**:SYSTEM:COMMunicate:PRINter<1|2>:ENUMerate:FIRSt?**

This command queries the name of the first printer (in the list of printers) under Windows NT.

The names of other installed printers can be queried with command :SYSTEM:COMMunicate:PRINter:ENUMerate:NEXT?. The numeric suffix in PRINter<1|2> is not significant.

If no printer is configured an empty string is output.

**Example:** " : SYST : COMM : PRIN : ENUM : FIRS ? "

**Features:** \*RST value: -  
SCPI: device-specific

**Modes:** A, VA

This command is only available for instruments equipped with Windows NT controller.

**:SYSTEM:COMMunicate:PRINter<1|2>:ENUMerate:NEXT?**

This command queries the name of the next printer installed under Windows NT.

This command can only be sent after command :SYSTEM:COMMunicate:PRINter:ENUMerate:FIRSt?.

An empty string is output after all printer names have been output. The numeric suffix in PRINter<1|2> is not significant.

**Example:** " : SYST : COMM : PRIN : ENUM : NEXT ? "

**Features:** \*RST value: -  
SCPI: device-specific

**Modes:** A, VA

This command is only available for instruments equipped with Windows NT controller.

**:SYSTEM:COMMunicate:PRINter<1|2>:SElect <printer\_name>**

This command selects one of the printers installed under Windows NT.

The name of the first printer is queried with FIRSt?. After that the names of other installed printers can be queried with NEXT?. The numeric suffix in PRINter<1|2> selects the device.

**Parameter:** <printer\_name> ::= string which has been queried with commands :SYSTEM:COMMunicate :PRINter:ENUMerate:FIRSt? and NEXT?.

**Example:** " : SYST : COMM : PRIN : SEL 'HP\_DESKJET660' "

**Features:** \*RST value: -  
SCPI: device-specific

**Modes:** A, VA

This command is only available for instruments equipped with Windows NT controller.

**:SYSTEM:DATE 1980 to 2099, 1 to 12, 1 to 31**

This command is used to enter the date for the internal calendar.

**Example:** " SYST : DATE 1994 , 12 , 1 "

**Features:** \*RST value: -  
SCPI: conforming

**Modes:** A, VA, BTS, MS

The sequence of entry is year, month, day.

**:SYSTem:DISPlay:UPDate** ON | OFF

This command switches on or off the update of all display elements.

**Example:** " SYST:DISP:UPD ON  
**Features:** \*RST value: OFF  
 SCPI: device specific  
**Modes:** A, VA, BTS, MS

**:SYSTem:ERRor?**

This command queries the earliest entry to the error queue, thus deleting it. .

**Example:** " :SYST:ERR? "  
**Features:** \*RST value: –  
 SCPI: conforming  
**Modes:** A, VA, BTS, MS

Positive error numbers indicate device-specific errors, negative error numbers are error messages defined by SCPI (cf. Chapter 9). If the error queue is empty, the error number 0, "no error", is returned. This command is identical with the command :STATus:QUEue:NEXT?. This command is a query which is why it is not assigned an \*RST value.

**:SYSTem:FIRMware:UPDate** <string>

This command starts a firmware update using the files in the set directory.

**Example :** " :SYST:FIRM:UPD 'C:\V4.32' "  
**Features :** \*RST value: –  
 SCPI : conforming  
**Mode:** A, VA, BTS, MS

This command is an event and has therefore no query and no \*RST value assigned.

**:SYSTem:PASSword[:CENable]** <string>

This command enables access to the service functions by means of the password.

**Example:** " :SYST:PASS 'XXXX' "  
**Features:** \*RST value: –  
 SCPI: conforming  
**Modes:** A, VA, BTS, MS

This command is an event which is why it is not assigned an \*RST value and has no query.

**:SYSTEM:SET** <block>

The query `:SYSTEM:SET?` causes the data of the current instrument setting to be transmitted to the controller in binary form (SAVE function). The data can be read back into the instrument (RECALL function) by means of command `:SYSTEM:SET <block>`. If the data records are stored on the instrument harddisk with SAVE/RECALL (`:MMEMORY:STORE` bzw. `:MMEMORY:LOAD`), it is possible to store the data in an external computer by means of `:SYSTEM:SET`.

**Example:**           `" :SYST:SET "`

**Features:**        \*RST value:    –  
                      SCPI:           conforming

**Modes:**           A, VA, BTS, MS

The receive terminator has to be set to EOI to ensure reliable transfer of data (setting `SYST:COMM:GPIB:RTER EOI`).

**:SYSTEM:PRESet**

This command triggers an instrument reset.

**Example:**           `" :SYST:PRES "`

**Features:**        \*RST value:    –  
                      SCPI:           conforming

**Modes:**           A, VA, BTS, MS

The effect of this command corresponds to that of the *PRESET* key with manual control or to the \*RST command.

**:SYSTEM:SPEaker<1|2>:VOLume** 0 to 1

This command sets the volume of the built-in loudspeaker for demodulated signals. The numeric suffix selects the measurement window.

**Example:**           `" :SYST:SPE:VOL 0.5 "`

**Features:**        \*RST value:    0  
                      SCPI:           device-specific

**Modes:**           A

The value 0 is the lowest volume, the value 1 is the highest volume.

**:SYSTEM:TIME** 0 to 23, 0 to 59, 0 to 59

This command sets the internal clock.

**Example:**           `" :SYST:TIME 12,30,30 "`

**Features:**        \*RST value:    –  
                      SCPI:           conforming

**Modes:**           A, VA, BTS, MS

The sequence of entry is hour, minute, second.

**:SYSTEM:VERSion?**

This command queries the number of the SCPI version, which is relevant for the instrument.

**Example:** " :SYST:VERS? "

**Features:** \*RST value: –  
SCPI: conforming

**Modes:** A, VA, BTS, MS

This command is a query which is why it is not assigned an \*RST value.

**:SYSTEM:BINFo?**

This command queries all present modules with model index, modification index and HW code. Entries are separated by commas.

Return format: module1, model index1, modification index1, HW code1, module2, model index2, modification index2, HW code2, module3,...,moduleN, model indexN, modification indexN, HW codeN

**Example:** " :SYST:BINF? "

**Features:** \*RST value: –  
SCPI: device-specific

**Modes:** A, VA, BTS, MS

## TRACe Subsystem

The TRACe subsystem controls access to the instrument's internal trace memory.

COMMAND	PARAMETERS	UNIT	COMMENT
TRACe [:DATA] :COPY	@TRACE1 TRACE2 TRACE3 TRACE4,@<block> <numeric_value>... @TRACE1 TRACE2 TRACE3 TRACE4, TRACE1 TRACE2 TRACE3 TRACE4	-	

**:TRACe[:DATA]** TRACE1|TRACE2|TRACE3|TRACE4, <block> | <numeric\_value>

This command transfers trace data from the controller to the instrument, the query reads trace data out of the instrument.

**Example:**           ":TRAC TRACE1, "+A\$   (A\$: data list in the current format)  
"TRAC? TRACE1"

**Features:**       \*RST value:   -  
SCPI:               conforming

**Modes:**           A, VA, BTS, MS

The trace data are transferred in the current format (corresponding to the command `FORMat ASCii|REAL`). The device-internal trace memory is addressed using the trace names 'TRACE1' to 'TRACE4'.

The transfer of trace data from the controller to the instrument takes place by indicating the trace name and then the data to be transferred. In ASCII format, these data are values separated by commas. If the transfer takes place using the format real (REAL 32), the data are transferred in block format (see `FORMat` subsystem).

The parameter of the query is the trace name TRACE1 to FINAL4, it indicates which trace memory will be read out.

Saving and recalling trace data together with the device settings to/from the device-internal hard disk or to/from a floppy is controlled via the commands `:MMEMory:STORe:STATe` and `:MMEMory:LOAD:STATe` respectively. Trace data are selected with `:MMEMory:SElect[:ITEM]:ALL` or `:MMEMory:SElect[:ITEM]:TRACe`. Trace data in ASCII format (ASCII FILE EXPORT) are exported with the command `:MMEM:STORe:TRACe`.

The transfer format for the trace data depends on the instrument setting

### Analyzer mode (span >0 and zero span):

500 results are output in the unit selected for display.

**Note:**    *With AUTO PEAK detector, only positive peak values can be read out.  
Trace data can be read into instrument with logarithmic display only in dBm, with linear display only in volts.*

FORMAT REAL,32 is to be used as format for binary transmission.

**Vector analyzer mode, digital demodulation**

The number of data transferred (except for the symbol table) is determined by the following formula

$$\text{number of results} = \text{result length} * \text{points per symbol}$$

Max. 6400 results can be transferred (for example result length 1600, points per symbol 4).

In all cartesian diagrams (MAGNITUDE CAP BUFFER, MAGNITUDE, PHASE, FREQUENCY, REAL/IMAG, EYE[I], EYE[Q], ERROR VECT MAGNITUDE) test data are transferred in the unit selected for display.

FORMAT REAL,32 is to be used for binary transmission.

**Note:** *In the case of the eye pattern, results are simply superimposed in the display, ie the EYE representation is the same as the REAL/IMAG representation.*

In the polar diagrams (POLAR CONSTELL, POLAR VECTOR) the real and the imaginary component are transferred as a pair for each result.

FORMAT REAL,32 is to be used for binary transmission.

With the SYMB TABLES / ERRORS setting, the displayed symbols can be read out as traces. Trace assignment is as follows:

Full screen	Trace 1
Split screen, screen A:	Trace 1
Split screen, screen B:	Trace 2

One byte (8 bits) is read out for each symbol.

FORMAT UINT,8 is to be used for binary transmission.

**Vector analyzer mode, analog demodulation**

The number of results transferred depends on the SWEEP TIME and DEMOD BW settings. Max. 5000 and min. 10 points are available. The unit for the results depends on the selected demodulation:

AM	unit %
FM	unit Hz
PM	unit rad or deg

FORMAT REAL,32 is to be used for binary data transmission.

**:TRACe:COPY** TRACE1| TRACE2| TRACE3| TRACE4 ,  
TRACE1| TRACE2| TRACE3| TRACE4

This command copies data from one trace to another. The second operand designates the source, the first operand the destination of the data to be copied.

**Example:** " :TRAC:COPY TRACE1 ,TRACE2 "

**Features:** \*RST value:  
SCPI: conforming

**Modes:** A, VA, BTS, MS

This command is an event and therefore has no query and no \*RST value assigned.

## TRIGger Subsystem

The TRIGger subsystem is used to synchronize instrument actions with events. This makes it possible to control and synchronize the start of a sweep. An external trigger signal can be fed to the connector at the rear panel of the instrument. In split screen mode, a distinction is made between TRIGger1 (screen A) and TRIGger2 (screen B).

COMMAND	PARAMETERS	UNIT	COMMENT
TRIGger<1 2> [:SEQuence] :SOURce	IMMediate   LINE   EXTernal   VIDEo   RFPower   TV   AF	--	TV only with option TV Demodulator
:LEVel [:EXTernal] :VIDeo :AF	<numeric_value> <numeric_value> <numeric_value>	V MV UV PCT PCT   HZ   DEG   RAD	
:HOLDoff :SLOPe :VIDeo	<numeric_value> POSitive NEGative	S --	
:FORMat :LPFRame	525   625		Option TV Demodulator
:FIEld :SElect	ALL   ODD   EVEN		Option TV Demodulator
:LINE :NUMBer	<numeric_value>		Option TV Demodulator
:SSIGnal :POLarity	NEGative   POSitive		Option TV Demodulator
:SYNChronize :ADJust :FRAMe :AUTO	<numeric_value> ONCE	s	Option FSE-K11 Option FSE-K11 & FSE-B7
:SLOT :AUTO :SOURCe	<numeric_value> ONCE FRAMe   TSC	s	Option FSE-K11 Option FSE-K11 & FSE-B7 Option FSE-K11or FSE-K10 & FSE-B7

**:TRIGger<1|2>[:SEQuence]:SOURce** IMMediate | LINE | EXTernal | VIDEo | RFPower | TV | AF

This command selects the trigger source for the start of a sweep.

**Example:** " :TRIG:SOUR EXT "

**Features:** \*RST value: IMMediate  
SCPI: conforming

**Modes:** A, VA, BTS, MS

The value IMMediate corresponds to the "FREE RUN" setting.  
Selecting the parameter TV is possible only when the option TV-demodulator is fitted, the parameter AF only in the vector signal analysis mode with analog demodulation.

**:TRIGger<1|2>[:SEQUence]:LEVel[:EXTErnal] -5.0 to +5.0V**

This command sets the level of the external trigger source.

**Example:** " :TRIG:LEV 2V"

**Features:** \*RST value: -5.0V  
SCPI: conforming

**Modes:** A, VA, BTS, MS

**:TRIGger<1|2>[:SEQUence]:LEVel:VIDeo 0 to 100PCT**

This command sets the level of the video trigger source.

**Example:** " :TRIG:LEV:VID 50PCT"

**Features:** \*RST value: 50 PCT  
SCPI: device-specific

**Modes:** A, VA, BTS, MS

**:TRIGger<1|2>[:SEQUence]:LEVel:AF <numeric\_value>**

This command defines the level of the demodulated trigger source.

The ranges are:

AM-Demod -120 to +120 PCT  
FM-Demod -1kHz to +1 kHz  
PM-Demod -12 .to.. +12 RAD

**Example:** " :TRIG:LEV:AF 50PCT"

**Features:** \*RST value: 0 PCT  
SCPI: device specific

**Mode:** VA-A

**:TRIGger<1|2>[:SEQUence]:HOLDoff -100s to 100s**

This command defines the length of the trigger delay.

**Example:** " :TRIG:HOLD 500us"

**Features:** \*RST value: 0s  
SCPI: conforming

**Modes:** A, VA

A negative delay time (pretrigger) can be set in the time domain (SPAN < 0 Hz) only. The maximum permissible range and the maximum effective resolution of the pretrigger are limited by the set sweep time (max range= - 499/500 x sweep time; max. resolution = sweep time/500). Pretriggering is not possible when the rms or the average detector is activated.

**:TRIGger<1|2>[:SEQuence]:SLOPe** POSitive | NEGative

This command selects the slope of the trigger signal.

**Example:** " :TRIG:SLOP NEG "

**Features:** \*RST value: POSitive  
SCPI: conforming

**Modes:** A, VA, BTS, MS

The selected trigger slope applies to all trigger signal sources.

**:TRIGger<1|2>[:SEQuence]:VIDeo::FORMat:LPFRame** 525 | 625

This command defines the number of lines per frame to be used (525 or 625 lines)

**Example:** " :TRIG:VID:FORM:LPFR 525 "

**Features:** \*RST value:  
SCPI: conforming

**Mode:** A-Z

This command is only valid if option FSE-B3, TV Demodulator, is fitted.

**:TRIGger<1|2>[:SEQuence]:VIDeo:LINE:NUMBer** <numeric value>

This command selects the horizontal synchronizing signal for triggering.

**Example:** " :TRIG:VID:LINE:NUMB 17 "

**Features:** \*RST value:  
SCPI: conforming

**Mode:** A-Z

The instrument is triggered at the specified line. This command is only valid if option FSE-B3, TV Demodulator is fitted.

**:TRIGger<1|2>[:SEQuence]:VIDeo:FIELD:SElect** ALL | ODD | EVEN

This command selects the vertical synchronizing signal for triggering.

**Example:** " :TRIG:VID:FIELD:SEL ALL "

**Features:** \*RST value:  
SCPI: conforming

**Mode:** A-Z

With the parameter ALL, the instrument is triggered when the field is changed, irrespective of the half fields. With ODD, triggering by the first half field, with even, triggering by the second half field is selected. This command is valid only if option FSE-B3, TV Demodulator, is fitted.

**:TRIGger<1|2>[:SEQuence]:VIDeo:SSIGnal:POLarity** NEGative | POSitive

This command defines the polarity of the video synchronizing signal.

**Example:** " :TRIG:VID:SSIG:POL NEG "

**Features:** \*RST value:  
SCPI: conforming

**Mode:** A-Z

This command is valid only if option FSE-B3, TV Demodulator, is fitted.

**:TRIGger<1|2>[:SEQuence]:SYNChronize:ADJust:FRAMe** -100 $\mu$ s to 100s

This command defines the correction value for the time offset between the frame trigger and the midamble of the slot selected. The value set is corrected by means of the calculated offsets of the other slots and used as a base value for the correction of all slots.

This correction value is necessary in order to conserve the exact time relation between the trigger event and the midamble of the slot in question in cases where there is no midamble triggering.

**Example:** " :TRIG:SYNC:ADJ:FRAM 30us "

**Features:** \*RST value: -- (depending on the slot selected)  
SCPI: device-specific

**Modes:** BTS

The numeric suffix in TRIGger<1 | 2> is not significant.

**:TRIGger<1|2>[:SEQuence]:SYNChronize:ADJust:FRAMe:AUTO** ONCE

This command determines once the correction value for the time offset between the frame trigger and the midamble of the slot selected. The value set is corrected by means of the calculated offsets of the other slots and used as a base value for the correction of all slots.

This correction value is necessary in order to conserve the exact time relation between the trigger event and the midamble of the slot in question in cases where there is no midamble triggering.

**Example:** " :TRIG:SYNC:ADJ:FRAMe:AUTO ONCE "

**Features:** \*RST value: --  
SCPI: device-specific

**Modes:** BTS

This command is available only in conjunction with option GSM BTS Analyzer, FSE-K11, and with option Vector Signal Analysis, FSE-B7. The numeric suffix in TRIGger<1 | 2> is not significant.

**:TRIGger<1|2>[:SEQUence]:SYNChronize:ADJJust:SLOT** -100 $\mu$ s to 100s

This command defines the correction value for the time offset between the frame trigger and the midamble of the slot selected, without influencing the correction values of the other slots. This correction value is necessary in order to conserve the exact time relation between the trigger event and the midamble of the slot in question in cases where there is no midamble triggering. The value set is corrected by means of the calculated offsets of the other slots and used as a base value for the correction of all slots.

**Example:** " :TRIG:SYNC:ADJ:SLOT 30us "

**Features:** \*RST value: -- (depending on slot selected)  
SCPI: device-specific

**Modes:** BTS

The numeric suffix in TRIGger<1 | 2> is not significant.

**:TRIGger<1|2>[:SEQUence]:SYNChronize:ADJJust:SLOT:AUTO** ONCE

This command defines the correction value for the time offset between the frame trigger and the midamble of the slot selected. The value set is corrected by means of the calculated offsets of the other slots and used as a base value for the correction of all slots.

This correction value is necessary in order to conserve the exact time relation between the trigger event and the midamble of the slot in question in cases where there is no midamble triggering.

**Example:** " :TRIG:SYNC:ADJ:SLOT:AUTO ONCE "

**Features:** \*RST value: --  
SCPI: device-specific

**Modes:** BTS

This command is available only in conjunction with option GSM BTS Analyzer, FSE-K11, and with option Vector Signal Analysis, FSE-B7. The numeric suffix in TRIGger<1 | 2> is not significant.

**:TRIGger<1|2>[:SEQUence]:SYNChronize:SOURce** FRAME | TSC

This command defines the trigger reference point for measurements in the time domain (carrier power, power vs. time). The frame trigger of the base station or mobile may be selected as well as the relation to the midamble (TSC) of the slot to be measured.

**Example:** " :TRIG:SYNC:SOURce TSC "

**Features:** \*RST value: FRAME  
SCPI: device-specific

**Modes:** BTS, MS

This command is available only in conjunction with option GSM BTS Analyzer, FSE-K11, or GSM MS Analyzer, FSE-K10. The parameter TSC requires in addition the option Vector Signal Analysis, FSE-B7. The numeric suffix in TRIGger<1 | 2> is not significant.

# UNIT Subsystem

The UNIT subsystem is used to switch the basic unit of setting parameters. In split screen mode, a distinction is made between UNIT1 (screen A) and UNIT2 (screen B).

COMMAND	PARAMETERS	UNIT	COMMENT
UNIT<1 2> :POWer         :PROBe	DBM   DBPW   WATT   DBUV   DBMV   VOLT   DBUA   AMPere V   W   DB   PCT   UNITLESS   DBUV_MHZ   DBMV_MHZ   DBUA_MHZ   DBUV_M   DBUA_M   DBUV_MMHZ   DBUA_MMHZ <Boolean>		

**:UNIT<1|2>:POWer** DBM | DBPW | WATT | DBUV | DBMV | VOLT | DBUA | AMPere | V | W | DB | PCT | UNITLESS | DBUV\_MHZ | DBMV\_MHZ | DBUA\_MHZ | DBUV\_M | DBUA\_M | DBUV\_MMHZ | DBUA\_MMHZ

This command selects the default unit for input and output.

**Example:** " :UNIT:POW DBUV "

**Features:** \*RST value: DBM  
SCPI: conforming

**Mode:** A

**:UNIT<1|2>:PROBe** ON | OFF

This command determines whether the coding of a probe which is connected to the front panel is taken into consideration (ON) or not (OFF).

**Example:** " :UNIT:PROB OFF "

**Features:** \*RST value: ON  
SCPI: device-specific

**Mode:** A

## Alphabetical List of Commands

In the following, all remote-control commands are listed with their parameters and page numbers. Generally, they are arranged alphabetically according to the keywords of the command.

Command	Parameter	Page
:ABORt		6.8
:CALCulate<1 2>:CTHReshold	MIN to MAX (depending on current unit)	6.16
:CALCulate<1 2>:CTHReshold:STATe	ON   OFF	6.16
:CALCulate<1 2>:DELTamarker<1 to 4>:AOFF		6.10
:CALCulate<1 2>:DELTamarker<1 to 4>:FUNction:FIXed:RPOint:X	<numeric_value>	6.13
:CALCulate<1 2>:DELTamarker<1 to 4>:FUNction:FIXed:RPOint:Y		6.13
:CALCulate<1 2>:DELTamarker<1 to 4>:FUNction:FIXed:RPOint:Y:OFFSet	<numeric_value>	6.13
:CALCulate<1 2>:DELTamarker<1 to 4>:FUNction:FIXed[:STATe]	ON   OFF	6.13
:CALCulate<1 2>:DELTamarker<1 to 4>:FUNction:PNOise:RESult?		6.14
:CALCulate<1 2>:DELTamarker<1 to 4>:FUNction:PNOise[:STATe]	ON   OFF	6.13
:CALCulate<1 2>:DELTamarker<1 to 4>:MAXimum:APEak		6.11
:CALCulate<1 2>:DELTamarker<1 to 4>:MAXimum:LEFT		6.12
:CALCulate<1 2>:DELTamarker<1 to 4>:MAXimum:NEXT		6.11
:CALCulate<1 2>:DELTamarker<1 to 4>:MAXimum:RIGHT		6.11
:CALCulate<1 2>:DELTamarker<1 to 4>:MAXimum[:PEAK]		6.11
:CALCulate<1 2>:DELTamarker<1 to 4>:MINimum:LEFT		6.12
:CALCulate<1 2>:DELTamarker<1 to 4>:MINimum:NEXT		6.12
:CALCulate<1 2>:DELTamarker<1 to 4>:MINimum:RIGHT		6.12
:CALCulate<1 2>:DELTamarker<1 to 4>:MINimum[:PEAK]		6.12
:CALCulate<1 2>:DELTamarker<1 to 4>:MODE	ABSolute   RELative	6.10
:CALCulate<1 2>:DELTamarker<1 to 4>[:STATe]	ON   OFF	6.9
:CALCulate<1 2>:DELTamarker<1 to 4>:STEP:AUTO	ON   OFF	6.14
:CALCulate<1 2>:DELTamarker<1 to 4>:STEP[:INCRement]]	<numeric value>	6.14
:CALCulate<1 2>:DELTamarker<1 to 4>:TRACe	1 to 4	6.10
:CALCulate<1 2>:DELTamarker<1 to 4>:X	0 to MAX (frequency   sweep time   symbols)	6.10
:CALCulate<1 2>:DELTamarker<1 to 4>:X:RELative?		6.10
:CALCulate<1 2>:DELTamarker<1 to 4>:Y?		6.11
:CALCulate<1 2>:DLINe<1 2>	MINimum to MAXimum (depending on current unit)	6.15
:CALCulate<1 2>:DLINe<1 2>:STATe	ON   OFF	6.15
:CALCulate<1 2>:FEED	'XTIM:DDEM:MEAS'   'XTIM:DDEM:REF'   'XTIM:DDEM:ERR:MPH'   'XTIM:DDEM:ERR:VECT'   'XTIM:DDEM:SYMB'   'XTIM:AM'   'XTIM:FM'   'XTIM:PM'   'XTIM:AMSummary'   'XTIM:FMSummary'   'XTIM:PMSummary'   'TCAP'	6.18
:CALCulate<1 2>:FLINe<1 2>	0 GHz to $f_{max}$	6.17
:CALCulate<1 2>:FLINe<1 2>:STATe	ON   OFF	6.17

Command	Parameter	Page
:CALCulate<1 2>:FORMat	MAGNitude   PHASe   UPHase   RIMag   FREQuency   IEYE   QEYE   TEYE   FEYE   COMP   CONS	6.19
:CALCulate<1 2>:FSK:DEVIation:REFerence	<numeric_value>	6.19
:CALCulate<1 2>:LIMit<1 to 8>:ACPowEr:ACHannel	0 to 100 dB, 0 to 100 dB	6.33
:CALCulate<1 2>:LIMit<1 to 8>:ACPowEr:ACHannel:RESult?		6.34
:CALCulate<1 2>:LIMit<1 to 8>:ACPowEr:ACHannel:STATe	ON   OFF	6.34
:CALCulate<1 2>:LIMit<1 to 8>:ACPowEr:ALTErnate<1 2>	0 to 100 DB, 0 to 100 DB	6.34
:CALCulate<1 2>:LIMit<1 to 8>:ACPowEr:ALTErnate<1 2>:RESult?		6.35
:CALCulate<1 2>:LIMit<1 to 8>:ACPowEr:ALTErnate<1 2>:STATe	ON   OFF	6.35
:CALCulate<1 2>:LIMit<1 to 8>:ACPowEr[:STATe]	ON   OFF	6.33
:CALCulate<1 2>:LIMit<1 to 8>:ACTive?		6.21
:CALCulate<1 2>:LIMit<1 to 8>:BURSt:MACCuracy?		6.30
:CALCulate<1 2>:LIMit<1 to 8>:BURSt:PFERror?		6.29
:CALCulate<1 2>:LIMit<1 to 8>:BURSt:POWEr?		6.29
:CALCulate<1 2>:LIMit<1 to 8>:BURSt:PTEmpLate?		6.29
:CALCulate<1 2>:LIMit<1 to 8>:CATalog?		6.22
:CALCulate<1 2>:LIMit<1 to 8>:CLear[:IMMediate]		6.27
:CALCulate<1 2>:LIMit<1 to 8>:COMMEnt	<string>	6.27
:CALCulate<1 2>:LIMit<1 to 8>:CONTRol[:DATA]	<numeric_value>,<numeric_value>.	6.22
:CALCulate<1 2>:LIMit<1 to 8>:CONTRol:DOMain	FREQuency   TIME	6.23
:CALCulate<1 2>:LIMit<1 to 8>:CONTRol:MODE	RELative   ABSolute	6.23
:CALCulate<1 2>:LIMit<1 to 8>:CONTRol:OFFSet	<numeric_value>	6.23
:CALCulate<1 2>:LIMit<1 to 8>:CONTRol:SHIFt	<numeric_value>	6.23
:CALCulate<1 2>:LIMit<1 to 8>:CONTRol:SPACing	LINear < LOGarithmic	6.24
:CALCulate<1 2>:LIMit<1 to 8>:CONTRol:UNIT[:TIME]	S   SYM	6.23
:CALCulate<1 2>:LIMit<1 to 8>:COPIY	1 to 8   <name>	6.28
:CALCulate<1 2>:LIMit<1 to 8>:DELete		6.28
:CALCulate<1 2>:LIMit<1 to 8>:FAIL?		6.27
:CALCulate<1 2>:LIMit<1 to 8>:LOWEr[:DATA]	<numeric_value>	6.25
:CALCulate<1 2>:LIMit<1 to 8>:LOWEr:MARGin	<numeric_value>	6.26
:CALCulate<1 2>:LIMit<1 to 8>:LOWEr:MODE	RELative   ABSolute	6.26
:CALCulate<1 2>:LIMit<1 to 8>:LOWEr:OFFSet	<numeric_value>	6.26
:CALCulate<1 2>:LIMit<1 to 8>:LOWEr:SHIFt	<numeric_value>	6.26
:CALCulate<1 2>:LIMit<1 to 8>:LOWEr:SPACing	LINear   LOGarithmic	6.27
:CALCulate<1 2>:LIMit<1 to 8>:LOWEr:STATe	ON   OFF	6.26
:CALCulate<1 2>:LIMit<1 to 8>:MARGin	0 to 100DB	6.33
:CALCulate<1 2>:LIMit<1 to 8>:NAME	1 to 8   <string>	6.28
:CALCulate<1 2>:LIMit<1 to 8>:SPECTrum:MODulation:EXCEptions?	ARFCn   TXBand   RXBand   COMBined   DCSRx1800	6.31
:CALCulate<1 2>:LIMit<1 to 8>:SPECTrum:MODulation:FAILs?	ARFCn   TXBand   RXBand   COMBined   DCSRx1800	6.31
:CALCulate<1 2>:LIMit<1 to 8>:SPECTrum:MODulation?	ARFCn   TXBand   RXBand   COMBined   DCSRx1800	6.30
:CALCulate<1 2>:LIMit<1 to 8>:SPECTrum:SWITChing:FAILs?		6.32
:CALCulate<1 2>:LIMit<1 to 8>:SPECTrum:SWITChing?		6.32
:CALCulate<1 2>:LIMit<1 to 8>:SPURious:FAILs?	TXBand   OTXBand   RXBand   IDLeband	6.33

Command	Parameter	Page
:CALCulate<1 2>:LIMit<1 to 8>:SPURious?	ARFCn   TXBand   RXBand   IDLeband	6.32
:CALCulate<1 2>:LIMit<1 to 8>:STATe	ON   OFF	6.22
:CALCulate<1 2>:LIMit<1 to 8>:TRACe	1 to 4	6.21
:CALCulate<1 2>:LIMit<1 to 8>:UNIT	DBM   DBPW   DBPT   WATT   DBUV   DBMV   VOLT   DBUA   AMPere   DB   DBUV_MHZ   DBMV_MHZ   DBUA_MHZ   DBUV_M   DBUA_M   DBUV_MHZ   DBUA_MHZ   UNITLESS	6.22
:CALCulate<1 2>:LIMit<1 to 8>:UPPer[:DATA]	<numeric_value>, <numeric_value>	6.24
:CALCulate<1 2>:LIMit<1 to 8>:UPPer:MARGin	<numeric_value>	6.24
:CALCulate<1 2>:LIMit<1 to 8>:UPPer:MODE	RELative   ABSolute	6.25
:CALCulate<1 2>:LIMit<1 to 8>:UPPer:OFFSet	<numeric_value>	6.24
:CALCulate<1 2>:LIMit<1 to 8>:UPPer:SHIFt	<numeric_value>	6.25
:CALCulate<1 2>:LIMit<1 to 8>:UPPer:SPACing	LINear   LOGarithmic	6.25
:CALCulate<1 2>:LIMit<1 to 8>:UPPer:STATe	ON   OFF	6.24
:CALCulate<1 2>:MARKer<1 to 4>:AOFF		6.39
:CALCulate<1 2>:MARKer<1 to 4>:COUNT	ON   OFF	6.40
:CALCulate<1 2>:MARKer<1 to 4>:COUNT:FREQuency?		6.40
:CALCulate<1 2>:MARKer<1 to 4>:COUNT:RESolution	0.1   1   10   100   1000   10000 Hz	6.40
:CALCulate<1 2>:MARKer<1 to 4>:COUPled[:STATe]	ON   OFF	6.40
:CALCulate<1 2>:MARKer<1 to 4>:FUNCTion:ADEMod:AFRequency[:RESult]?		6.48
:CALCulate<1 2>:MARKer<1 to 4>:FUNCTion:ADEMod:AM[:RESult]?	PPEak   MPEak   MIDDLE   RMS	6.47
:CALCulate<1 2>:MARKer<1 to 4>:FUNCTion:ADEMod:CARRier[:RESult]?		6.49
:CALCulate<1 2>:MARKer<1 to 4>:FUNCTion:ADEMod:FERRor[:RESult]?		6.48
:CALCulate<1 2>:MARKer<1 to 4>:FUNCTion:ADEMod:FM[:RESult]?	PPEak   MPEak   MIDDLE   RMS   RDEV	6.48
:CALCulate<1 2>:MARKer<1 to 4>:FUNCTion:ADEMod:PM[:RESult]?	PPEak   MPEak   MIDDLE   RMS	6.48
:CALCulate<1 2>:MARKer<1 to 4>:FUNCTion:ADEMod:SINad:RESult?		6.49
:CALCulate<1 2>:MARKer<1 to 4>:FUNCTion:ADEMod:SINad[:STATe]	ON   OFF	6.49
:CALCulate<1 2>:MARKer<1 to 4>:FUNCTion:CENTER:	ON   OFF	6.59
:CALCulate<1 2>:MARKer<1 to 4>:FUNCTion:CSTep:	ON   OFF	6.59
:CALCulate<1 2>:MARKer<1 to 4>:FUNCTion:DDEMod:RESult?	MERM   MEPK   MEPS   PERM   PEPK   PEPS   EVRM   EVPK   EVPS   IQOF   IQIM   ADR   FERR   FEPK   RHO   DEV   FSRM   FSPK   FSPS   DTTS	6.50
:CALCulate<1 2>:MARKer<1 to 4>:FUNCTion:DEModulation:HOLDoff	10ms to 1000s	6.46
:CALCulate<1 2>:MARKer<1 to 4>:FUNCTion:DEModulation:SElect	AM   FM	6.45
:CALCulate<1 2>:MARKer<1 to 4>:FUNCTion:DEModulation[:STATe]	ON   OFF	6.46
:CALCulate<1 2>:MARKer<1 to 4>:FUNCTion:MSTep		6.60
:CALCulate<1 2>:MARKer<1 to 4>:FUNCTion:NDBDown	<numeric_value>	6.44
:CALCulate<1 2>:MARKer<1 to 4>:FUNCTion:NDBDown:FREQuency?		6.44
:CALCulate<1 2>:MARKer<1 to 4>:FUNCTion:NDBDown:RESult?		6.44
:CALCulate<1 2>:MARKer<1 to 4>:FUNCTion:NDBDown:STATe	ON   OFF	6.44
:CALCulate<1 2>:MARKer<1 to 4>:FUNCTion:NOISe:RESult?		6.45
:CALCulate<1 2>:MARKer<1 to 4>:FUNCTion:NOISe[:STATe]	ON   OFF	6.45
:CALCulate<1 2>:MARKer<1 to 4>:FUNCTion:POWer:CFILter	ON   OFF	6.52

Command	Parameter	Page
:CALCulate<1 2>:MARKer<1 to 4>:FUNctio:POWer:PRESet	NADC   TETRA   PDC   PHS   CDPD   FWCDMA   RWCDMA   FW3Gppcdma   RW3Gppcdma   M2CDma   D2CDma   F8CDma   R8CDma   F19Cdma   R19Cdma   NONE   FO8Cdma   RO8Cdma   FO19CDMA   RO19CDMA   TCDMa	6.52
:CALCulate<1 2>:MARKer<1 to 4>:FUNctio:POWer:RESult?	ACPower   CPOWer   OBANdwidth   OBWidth   CN   CN0	6.51
:CALCulate<1 2>:MARKer<1 to 4>:FUNctio:POWer:SELEct?	ACPower   CPOWer   OBANdwidth   OBWidth   CN   CN0	6.50
:CALCulate<1 2>:MARKer<1 to 4>:FUNctio:POWer[:STATe]	OFF	6.51
:CALCulate<1 2>:MARKer<1 to 4>:FUNctio:REFerence:	ON   OFF	6.60
:CALCulate<1 2>:MARKer<1 to 4>:FUNctio:SFACtor	(60dB/3dB)   (60dB/6dB)	6.46
:CALCulate<1 2>:MARKer<1 to 4>:FUNctio:SFACtor:FREQuency?		6.47
:CALCulate<1 2>:MARKer<1 to 4>:FUNctio:SFACtor:RESult?		6.46
:CALCulate<1 2>:MARKer<1 to 4>:FUNctio:SFACtor:STATe	ON   OFF	6.46
:CALCulate<1 2>:MARKer<1 to 4>:FUNctio:STARt		6.60
:CALCulate<1 2>:MARKer<1 to 4>:FUNctio:STOP		6.60
:CALCulate<1 2>:MARKer<1 to 4>:FUNctio:STRack[:STATe]	ON   OFF	6.47
:CALCulate<1 2>:MARKer<1 to 4>:FUNctio:SUMMary:AOFF		6.59
:CALCulate<1 2>:MARKer<1 to 4>:FUNctio:SUMMary:AVERAge	ON   OFF	6.59
:CALCulate<1 2>:MARKer<1 to 4>:FUNctio:SUMMary:MAXimum:AVER:RESult?		6.53
:CALCulate<1 2>:MARKer<1 to 4>:FUNctio:SUMMary:MAXimum:PHOLd:RES?		6.53
:CALCulate<1 2>:MARKer<1 to 4>:FUNctio:SUMMary:MAXimum:RESult?		6.53
:CALCulate<1 2>:MARKer<1 to 4>:FUNctio:SUMMary:MAXimum[:STATe]	ON   OFF	6.53
:CALCulate<1 2>:MARKer<1 to 4>:FUNctio:SUMMary:MEAN:AVERAge:RESult?		6.58
:CALCulate<1 2>:MARKer<1 to 4>:FUNctio:SUMMary:MEAN:PHOLd:RESult?		6.58
:CALCulate<1 2>:MARKer<1 to 4>:FUNctio:SUMMary:MEAN:RESult?		6.58
:CALCulate<1 2>:MARKer<1 to 4>:FUNctio:SUMMary:MEAN[:STATe]	ON   OFF	6.58
:CALCulate<1 2>:MARKer<1 to 4>:FUNctio:SUMMary:MIDDLE:AVERAge:RESult?		6.56
:CALCulate<1 2>:MARKer<1 to 4>:FUNctio:SUMMary:MIDDLE:PHOLd:RESult?		6.56
:CALCulate<1 2>:MARKer<1 to 4>:FUNctio:SUMMary:MIDDLE:RESult?		6.56
:CALCulate<1 2>:MARKer<1 to 4>:FUNctio:SUMMary:MIDDLE[:STATe]	ON   OFF	6.56
:CALCulate<1 2>:MARKer<1 to 4>:FUNctio:SUMMary:MPEak:AVERAge:RESult?		6.55
:CALCulate<1 2>:MARKer<1 to 4>:FUNctio:SUMMary:MPEak:PHOLd:RESult?		6.55
:CALCulate<1 2>:MARKer<1 to 4>:FUNctio:SUMMary:MPEak:RESult?		6.55
:CALCulate<1 2>:MARKer<1 to 4>:FUNctio:SUMMary:MPEak[:STATe]	ON   OFF	6.55
:CALCulate<1 2>:MARKer<1 to 4>:FUNctio:SUMMary:PHOLd	ON   OFF	6.59
:CALCulate<1 2>:MARKer<1 to 4>:FUNctio:SUMMary:PPEak:AVERAge:RESult?		6.54
:CALCulate<1 2>:MARKer<1 to 4>:FUNctio:SUMMary:PPEak:PHOLd:RESult?		6.54
:CALCulate<1 2>:MARKer<1 to 4>:FUNctio:SUMMary:PPEak:RESult?		6.54
:CALCulate<1 2>:MARKer<1 to 4>:FUNctio:SUMMary:PPEak[:STATe]	ON   OFF	6.54
:CALCulate<1 2>:MARKer<1 to 4>:FUNctio:SUMMary:RMS:AVERAge:RESult?		6.57
:CALCulate<1 2>:MARKer<1 to 4>:FUNctio:SUMMary:RMS:PHOLd:RESult?		6.57
:CALCulate<1 2>:MARKer<1 to 4>:FUNctio:SUMMary:RMS:RESult?		6.57
:CALCulate<1 2>:MARKer<1 to 4>:FUNctio:SUMMary:RMS[:STATe]	ON   OFF	6.57
:CALCulate<1 2>:MARKer<1 to 4>:FUNctio:SUMMary:STATe	ON   OFF	6.52

Command	Parameter	Page
:CALCulate<1 2>:MARKer<1 to 4>:FUNCTION:ZOOM	<numeric_value>	6.45
:CALCulate<1 2>:MARKer<1 to 4>:LOEXclude	ON   OFF	6.40
:CALCulate<1 2>:MARKer<1 to 4>:MAXimum:APEak		6.41
:CALCulate<1 2>:MARKer<1 to 4>:MAXimum:LEFT		6.42
:CALCulate<1 2>:MARKer<1 to 4>:MAXimum:NEXT		6.41
:CALCulate<1 2>:MARKer<1 to 4>:MAXimum:RIGHT		6.41
:CALCulate<1 2>:MARKer<1 to 4>:MAXimum[:PEAK]		6.41
:CALCulate<1 2>:MARKer<1 to 4>:MINimum:LEFT		6.42
:CALCulate<1 2>:MARKer<1 to 4>:MINimum:NEXT		6.42
:CALCulate<1 2>:MARKer<1 to 4>:MINimum:RIGHT		6.42
:CALCulate<1 2>:MARKer<1 to 4>:MINimum[:PEAK]		6.42
:CALCulate<1 2>:MARKer<1 to 4>:PEXCursion	<numeric_value>	6.43
:CALCulate<1 2>:MARKer<1 to 4>:READout	MPHase   RIMaginary	6.43
:CALCulate<1 2>:MARKer<1 to 4>:STEP:AUTO	ON   OFF	6.43
:CALCulate<1 2>:MARKer<1 to 4>:STEP[:INCRement]	<numeric_value>	6.43
:CALCulate<1 2>:MARKer<1 to 4>:TRACe	1 to 4	6.39
:CALCulate<1 2>:MARKer<1 to 4>:X	0 to MAX (frequency   sweep time   symbols)	6.39
:CALCulate<1 2>:MARKer<1 to 4>:X:SLIMits[:STATe]	ON   OFF	6.39
:CALCulate<1 2>:MARKer<1 to 4>:Y?		6.41
:CALCulate<1 2>:MARKer<1 to 4>[:STATe]	ON   OFF	6.39
:CALCulate<1 2>:MATH<1 to 4>:STATe	ON   OFF	6.61
:CALCulate<1 2>:MATH<1 to 4>[:EXPRession][:DEFine]	<expr>	6.61
:CALCulate<1 2>:RLINe	MINimum to MAXimum (depending on current unit)	6.16
:CALCulate<1 2>:RLINe:STATe	ON   OFF	6.17
:CALCulate<1 2>:THReshold	MINimum to MAXimum (depending on current unit)	6.16
:CALCulate<1 2>:THReshold:STATe	ON   OFF	6.16
:CALCulate<1 2>:TLINe<1 2>	0 to 1000s	6.17
:CALCulate<1 2>:TLINe<1 2>:STATe	ON   OFF	6.17
:CALCulate<1 2>:UNIT:ANGLE	DEG   RAD	6.62
:CALCulate<1 2>:UNIT:POWer	DBM   V   W   DB   PCT   UNITLESS   DBPT   DBPW   WATT   DBUV   DBMV   VOLT   DBUA   AMPere   DBUV_MHZ   DBMV_MHZ   DBUA_MHZ   DBUV_M   DBUA_M   DBUV_MMHZ   DBUA_MMHZ	6.62
:CALCulate<1 2>:X:UNIT:TIME	S   SYM	6.62
:CALibration:BANDwidth  BWIDth[:RESolution]?		6.63
:CALibration:IQ?		6.63
:CALibration:LDETEctor?		6.64
:CALibration:LOSuppression?		6.64
:CALibration:PPEak?		6.64
:CALibration:SHORT?		6.64
:CALibration:STATe	ON   OFF	6.64
:CALibration[:ALL]		6.63
:CONFigure:BURSt:MACCuracy:CONDition	NORMal   EXTReMe	6.74

Command	Parameter	Page
:CONFigure:BURSt:MACCuracy:COUNT	1 to 1000	6.74
:CONFigure:BURSt:MACCuracy[:IMMEDIATE]		6.74
:CONFigure:BURSt:PFERror:CONDition	NORMal   EXTReMe	6.74
:CONFigure:BURSt:PFERror:COUNT	1 to 1000	6.73
:CONFigure:BURSt:PFERror[:IMMEDIATE]		6.73
:CONFigure:BURSt:POWer:CONDition	NORMal   EXTReMe	6.75
:CONFigure:BURSt:POWer:COUNT	1 to 1000	6.75
:CONFigure:BURSt:POWer[:IMMEDIATE]		6.75
:CONFigure:BURSt:PTEMplate:COUNT	1 to 1000	6.75
:CONFigure:BURSt:PTEMplate:SElect	FULL   TOP   RISing   FALLing	6.76
:CONFigure:BURSt:PTEMplate[:IMMEDIATE]		6.75
:CONFigure:BURSt:REFerence:AUTO	ON   OFF	6.76
:CONFigure:SPEctrum:MODulation:COUNT	1 to 1000	6.85
:CONFigure:SPEctrum:MODulation:RANGe	ARFCn   TXBand   RXBand   COMBined   DCSRx1800   G8Rxband   PCSRx1900	6.86
:CONFigure:SPEctrum:MODulation:TGATe	ON   OFF	6.86
:CONFigure:SPEctrum:MODulation[:IMMEDIATE]		6.85
:CONFigure:SPEctrum:SWITching:COUNT	1 to 1000	6.86
:CONFigure:SPEctrum:SWITching[:IMMEDIATE]		6.86
:CONFigure:SPURious:ANTenna	CONDucted   RADiated	6.88
:CONFigure:SPURious:COUNT	1 to 1000	6.87
:CONFigure:SPURious:COUNT:RXBand	1 to 1000	6.87
:CONFigure:SPURious:RANGe	TXBand   OTXBand   RXBand   IDLeband   COMBined	6.88
:CONFigure:SPURious:STEP:COUNT?		6.88
:CONFigure:SPURious:STEP<1 to 26>	ON   OFF	6.88
:CONFigure:SPURious[:IMMEDIATE]		6.87
:CONFigure[:BTS]: STYPe	NORMal   MICRo   PICO	6.72
:CONFigure[:BTS]:ARFCn	1 to 124 (P-GSM phase I/II) 0 to 124, 975 to 1023 (E-GSM) 0 to 124, 955 to 1023 (R-GSM) 512 to 885 (DCS1800 phase I/II/II+) 512 to 810 (PCS1900) 128 to 251 (GSM850)	6.66
:CONFigure[:BTS]:ARFCn:AUTO	ONCE	6.66
:CONFigure[:BTS]:CHANnel:SFH	ON   OFF	6.70
:CONFigure[:BTS]:CHANnel:SLOT	0 to 7	6.70
:CONFigure[:BTS]:CHANnel:SLOT:AUTO	ONCE	6.70
:CONFigure[:BTS]:CHANnel:TSC	0 to 7	6.71
:CONFigure[:BTS]:CHANnel:TSC:AUTO	ON   OFF	6.71
:CONFigure[:BTS]:COSiting	ON   OFF	6.71
:CONFigure[:BTS]:LIMit:EVMPeak	<numeric_value>	6.67
:CONFigure[:BTS]:LIMit:EVMRms	<numeric_value>	6.67
:CONFigure[:BTS]:LIMit:FREquency	<numeric_value>	6.68
:CONFigure[:BTS]:LIMit:OSUPpress	<numeric_value>	6.67
:CONFigure[:BTS]:LIMit:PERCentile	<numeric_value>	6.68
:CONFigure[:BTS]:LIMit:PPEak	<numeric_value>	6.67
:CONFigure[:BTS]:LIMit:PRMS	<numeric_value>	6.67

Command	Parameter	Page
:CONFigure[:BTS]:LIMit:STANdard	ON   OFF	6.68
:CONFigure[:BTS]:MEASurement?		6.66
:CONFigure[:BTS]:MTYPE	GMSK   EDGE	6.72
:CONFigure[:BTS]:NETWork:PHASe	1   2 [,PLUS]	6.71
:CONFigure[:BTS]:NETWork[:TYPE]	PGSM   PGSM900   EGSM   EGSM900   DCS   GSM1800   PCS   GSM1900   RGSM   RGSM900   GSM850	6.71
:CONFigure[:BTS]:POWer:CLASs	1 to 8   1 to 4   M1   M2   M3   P1	6.68
:CONFigure[:BTS]:POWer:COUPlEd	ON   OFF	6.68
:CONFigure[:BTS]:POWer:DYNamic	0 to 15	6.69
:CONFigure[:BTS]:POWer:EXPeCted	<numeric_value>	6.69
:CONFigure[:BTS]:POWer:LIMit	<numeric_value>	6.69
:CONFigure[:BTS]:POWer:SINGle:CLEar		6.70
:CONFigure[:BTS]:POWer:SINGle[:STATe]	ON   OFF	6.69
:CONFigure[:BTS]:POWer:STATic	0 to 6	6.69
:CONFigure[:BTS]:PRESet		6.72
:CONFigure[:BTS]:SWEeptime	STANdard   AUTO	6.72
:CONFigure[:BTS]:TXSupp	ON   OFF	6.72
:CONFigure[:MS]: MTYPE	GMSK   EDGE	6.84
:CONFigure[:MS]:ARFCn	1 to 124 (P-GSM phase I/II) 0 to 124, 975 to 1023 (E-GSM) 0 to 124, 955 to 1023 (R-GSM) 512 to 885 (DCS1800 phase I/II/II+) 512 to 810 (PCS1900) 128 to 810 (GSM850)	6.78
:CONFigure[:MS]:ARFCn:AUTO	ONCE	6.78
:CONFigure[:MS]:CHANnel:SFH	ON   OFF	6.82
:CONFigure[:MS]:CHANnel:TSC	0 to 7	6.82
:CONFigure[:MS]:LIMit:EVMPeak	<numeric_value>	6.79
:CONFigure[:MS]:LIMit:EVMRms	<numeric_value>	6.79
:CONFigure[:MS]:LIMit:FREQUency	<numeric_value>	6.80
:CONFigure[:MS]:LIMit:OSUPpress	<numeric_value>	6.79
:CONFigure[:MS]:LIMit:PERCentile	<numeric_value>	6.80
:CONFigure[:MS]:LIMit:PPEak	<numeric_value>	6.79
:CONFigure[:MS]:LIMit:PRMS	<numeric_value>	6.79
:CONFigure[:MS]:LIMit:STANdard	ON   OFF	6.80
:CONFigure[:MS]:MEASurement?		6.78
:CONFigure[:MS]:NETWork:PHASe	1   2 [,PLUS]	6.83
:CONFigure[:MS]:NETWork[:TYPE]	PGSM   PGSM900   EGSM   EGSM900   DCS   GSM1800   PCS   GSM1900   RGSM   RGSM900   GSM850	6.83
:CONFigure[:MS]:POWer:CLASs	<num_value>   EG1   EG2   EG3	6.80
:CONFigure[:MS]:POWer:COUPlEd	ON   OFF	6.81
:CONFigure[:MS]:POWer:EXPeCted	<numeric_value>	6.81
:CONFigure[:MS]:POWer:LEVel	0 to 31	6.81
:CONFigure[:MS]:POWer:LIMit	<numeric_value>	6.81
:CONFigure[:MS]:POWer:SINGle:CLEar		6.82
:CONFigure[:MS]:POWer:SINGle[:STATe]	ON   OFF	6.82

Command	Parameter	Page
:CONFigure[:MS]:POWer:SMALl	ON   OFF	6.82
:CONFigure[:MS]:PRESet		6.83
:CONFigure[:MS]:SWEeptime	STANdard   AUTO	6.84
:CONFigure[:MS]:TXSupp	ON   OFF	6.83
:DIAGnostic:INFO:CCOut:ATTenuation<1   2   3>?		6.90
:DIAGnostic:SERVice:FUNcTion	<num_value>,<num_value>...	6.89
:DIAGnostic:SERVice:INPut[:SElect]	CALibration   RF	6.89
:DIAGnostic:SERVice:NSOource	ON   OFF	6.89
:DISPlay:ANNotation:FREQuency	ON   OFF	6.92
:DISPlay:CMAP<1 to 13>:DEFault		6.93
:DISPlay:CMAP<1 to 13>:HSL	0.0 to 100.0 (tint), 0.0 to 100.0 (saturation), 0.0 to 100.0 (brightness)	6.93
:DISPlay:CMAP<1 to 13>:PDEFined	<color>	6.93
:DISPlay:FORMat	SINGle   SPLit	6.92
:DISPlay:LOGO	ON   OFF	6.92
:DISPlay:PROGram[:MODE]	ON   OFF	6.92
:DISPlay:PSAVe:HOLDoff		6.100
:DISPlay:PSAVe[:STATe]	ON   OFF	6.100
:DISPlay[:WINDow<1 2>]:MINFo	ON   OFF	6.94
:DISPlay[:WINDow<1 2>]:SElect	'	6.94
:DISPlay[:WINDow<1 2>]:TEXT[:DATA]	<string>	6.94
:DISPlay[:WINDow<1 2>]:TEXT:STATe	ON   OFF	6.94
:DISPlay[:WINDow<1 2>]:TIME	ON   OFF	6.95
:DISPlay[:WINDow<1 2>]:TRACe<1 to 4>:EYE:COUNT	1 to result length	6.100
:DISPlay[:WINDow<1 2>]:TRACe<1 to 4>:MODE	WRITE   VIEW   AVERAge   MAXHold   MINHold	6.98
:DISPlay[:WINDow<1 2>]:TRACe<1 to 4>:MODE:ANALog	ON   OFF	6.99
:DISPlay[:WINDow<1 2>]:TRACe<1 to 4>:MODE:CWRite	ON   OFF	6.99
:DISPlay[:WINDow<1 2>]:TRACe<1 to 4>:MODE:HCONtinuous	ON   OFF	6.99
:DISPlay[:WINDow<1 2>]:TRACe<1 to 4>[:STATe]	ON   OFF	6.99
:DISPlay[:WINDow<1 2>]:TRACe<1 to 4>:SYMBol	DOTS   BARS   OFF	6.100
:DISPlay[:WINDow<1 2>]:TRACe<1 to 4>:X[:SCALE]:RVALue	<numeric_value>	6.95
:DISPlay[:WINDow<1 2>]:TRACe<1 to 4>:X[:SCALE]:ZOOM	ON   OFF	6.95
:DISPlay[:WINDow<1 2>]:TRACe<1 to 4>:X[:SCALE]:ZOOM[:FREQuency]:CENTer	<numeric_value>	6.96
:DISPlay[:WINDow<1 2>]:TRACe<1 to 4>:X[:SCALE]:ZOOM[:FREQuency]:START	<numeric_value>	6.95
:DISPlay[:WINDow<1 2>]:TRACe<1 to 4>:X[:SCALE]:ZOOM[:FREQuency]:STOP	<numeric_value>	6.95
:DISPlay[:WINDow<1 2>]:TRACe<1 to 4>:Y:SPACing	LINear   LOGarithmic   PERCent	6.98
:DISPlay[:WINDow<1 2>]:TRACe<1 to 4>:Y[:SCALE]	10dB to 200dB	6.96
:DISPlay[:WINDow<1 2>]:TRACe<1 to 4>:Y[:SCALE]:MODE	ABSolute   RELative	6.96
:DISPlay[:WINDow<1 2>]:TRACe<1 to 4>:Y[:SCALE]:PDIVision	<numeric_value>	6.98
:DISPlay[:WINDow<1 2>]:TRACe<1 to 4>:Y[:SCALE]:RLEVel	-200dBm to 200dBm	6.96
:DISPlay[:WINDow<1 2>]:TRACe<1 to 4>:Y[:SCALE]:RLEVel:OFFSet	-200dB to 200dB	6.97
:DISPlay[:WINDow<1 2>]:TRACe<1 to 4>:Y[:SCALE]:RPOStion	0 to 100 PCT	6.98
:DISPlay[:WINDow<1 2>]:TRACe<1 to 4>:Y[:SCALE]:RVALue	<numeric_value>	6.97
:DISPlay[:WINDow<1 2>]:TRACe<1 to 4>:Y[:SCALE]:RVALue:AUTO	ON   OFF	6.97
:FETCh:BURSt:FERRor:AVERAge?		6.104

Command	Parameter	Page
:FETCh:BURSt:FERRor:MAXimum?		6.104
:FETCh:BURSt:FERRor:STATus?		6.104
:FETCh:BURSt:MACCuracy:FREQuency:AVERage?		6.110
:FETCh:BURSt:MACCuracy:FREQuency:MAXimum?		6.110
:FETCh:BURSt:MACCuracy:FREQuency:STATus?		6.110
:FETCh:BURSt:MACCuracy:OSUPpress:AVERage?		6.108
:FETCh:BURSt:MACCuracy:OSUPpress:MAXimum?		6.109
:FETCh:BURSt:MACCuracy:OSUPpress:STATus?		6.108
:FETCh:BURSt:MACCuracy:PEAK:AVERage?		6.108
:FETCh:BURSt:MACCuracy:PEAK:MAXimum?		6.108
:FETCh:BURSt:MACCuracy:PEAK:STATus?		6.107
:FETCh:BURSt:MACCuracy:PERCentile:AVERage?		6.109
:FETCh:BURSt:MACCuracy:PERCentile:MAXimum?		6.109
:FETCh:BURSt:MACCuracy:PERCentile:STATus?		6.109
:FETCh:BURSt:MACCuracy:RMS:AVERage?		6.107
:FETCh:BURSt:MACCuracy:RMS:MAXimum?		6.107
:FETCh:BURSt:MACCuracy:RMS:STATus?		6.107
:FETCh:BURSt:PERRor:PEAK:AVERage?		6.103
:FETCh:BURSt:PERRor:PEAK:MAXimum?		6.103
:FETCh:BURSt:PERRor:PEAK:STATus?		6.103
:FETCh:BURSt:PERRor:RMS:AVERage?		6.102
:FETCh:BURSt:PERRor:RMS:MAXimum?		6.102
:FETCh:BURSt:PERRor:RMS:STATus?		6.102
:FETCh:BURSt:POWer:ALL?		6.106
:FETCh:BURSt:POWer[:IMMediate]?		6.105
:FETCh:PTEMplate:REFerence?	TXBand	6.111
:FETCh:SPECTrum:MODulation[:ALL]?	ARFCn   TXBand   RXBand   COMBined   DCSRx1800	6.112
:FETCh:SPECTrum:MODulation:REFerence?	TXBand	6.113
:FETCh:SPECTrum:SWITChing[:ALL]?		6.114
:FETCh:SPECTrum:SWITChing:REFerence?	TXBand	6.114
:FETCh:SPURious:STEP?		6.116
:FETCh:SPURious[:ALL]?	TXBand OTXBand   RXBand   IDLeband	6.115
:FORMat[:DATA]	ASCIi   REAL   UINT [,32]	6.117
:FORMat:DEXPort:APPend[:STATe]	ON   OFF	6.118
:FORMat:DEXPort:COMMeNt	<string>	6.118
:FORMat:DEXPort:DSEParator	POINT COMMa	6.118
:FORMat:DEXPort:HEADer[:STATe]	ON   OFF	6.118
:HCOPy:ABORt		6.120
:HCOPy:DEStination<1 2>	'SYST:COMM:GPIB'   'SYST:COMM:SER1'   'SYST:COMM:SER2'   'SYST:COMM:CENt'   'MMEM'	6.120
:HCOPy:DEStination<1 2>?	'MMEM'   'SYST:COMM:PRIN'   'SYST:COMM:CLIP'	6.120
:HCOPy:DEVice:COLor	ON   OFF	6.121
:HCOPy:DEVice:LANGUage<1 2>	WMF   EWMF   GDI   BMP	6.121

Command	Parameter	Page
:HCOPY:DEvice:LANGUage<1 2>	HPGL   PCL4   PCL5   POSTscript   ESCP   WMF   PCX   HP7470...	6.121
:HCOPY:DEvice:PRESet<1 2>	ON   OFF	6.122
:HCOPY:DEvice:RESolution<1 2>	150   300	6.122
:HCOPY:ITEM:ALL		6.122
:HCOPY:ITEM:FFeEd<1 2>:STATe	ON   OFF	6.123
:HCOPY:ITEM:LAbel:TEXT	<string>	6.123
:HCOPY:ITEM:PFEEd<1 2>:STATe	ON   OFF	6.123
:HCOPY:ITEM:WINDow<1 2>:TABLe:STATe	ON   OFF	6.123
:HCOPY:ITEM:WINDow<1 2>:TEXT	<string>	6.123
:HCOPY:ITEM:WINDow<1 2>:TRACe:CAINcrement	ON   OFF	6.124
:HCOPY:ITEM:WINDow<1 2>:TRACe:STATe	ON   OFF	6.124
:HCOPY:PAGE:DIMensions:FULL		6.124
:HCOPY:PAGE:DIMensions:QUADrant<1 to 4>		6.124
:HCOPY:PAGE:ORientation<1 2>	LANDscape   PORTrait	6.124
:HCOPY[:IMMediate]		6.122
:INITiate<1 2>:CONMeas		6.125
:INITiate<1 2>:CONTinuous	ON   OFF	6.125
:INITiate<1 2>:DISPlay	ON   OFF	6.126
:INITiate<1 2>[:IMMediate]		6.125
:INPut<1 2>:ATTenuation	0 to 70dB	6.127
:INPut<1 2>:ATTenuation:AUTO	ON   OFF	6.127
:INPut<1 2>:ATTenuation:AUTO:MODE	NORMal   LNOise   LDISTorsion	6.127
:INPut<1 2>:ATTenuation:STEPsize	1dB   10dB	6.128
:INPut<1 2>:IMPedance	50   75	6.128
:INPut<1 2>:IMPedance:CORRection	RAM   RAZ	6.129
:INPut<1 2>:MIXer	-10 to -100 dBm	6.129
:INPut<1 2>:UPORt<1 2>:STATe	ON   OFF	6.128
:INPut<1 2>:UPORt<1 2>[:VALue]		6.128
:INSTrument:COUPle	NONE   MODE   X   Y   CONTrol   XY   XCONtrol   YCONtrol   ALL	6.131
:INSTrument<1 2>:NSElect	1to 5	6.130
:INSTrument<1 2>[:SElect]	SANalyzer   DDEMod   ADEMod   BGSM   MGSM	6.130
:MMEMory:CATalog?	<string>	6.133
:MMEMory:CDIRectory	directory name	6.134
:MMEMory:CLear:ALL		6.138
:MMEMory:CLear:STATe	1,path	6.138
:MMEMory:COMMent	<string>	6.142
:MMEMory:COpy	path, file name	6.134
:MMEMory:DATA	<file name>,<block data>	6.134
:MMEMory:DELeTe	path, file name	6.135
:MMEMory:INITialize	'A:'	6.135
:MMEMory:LOAD:AUTO	1,path	6.136
:MMEMory:LOAD:STATe	path, file name	6.135
:MMEMory:MDIRectory	path	6.136
:MMEMory:MOVE	path, file name	6.136

Command	Parameter	Page
:MMEMory:MSIS	'A:'   'C:'	6.137
:MMEMory:NAME	path, file name	6.137
:MMEMory:RDIRECTory	directory name	6.137
:MMEMory:SElect[:ITEM]:ALL		6.141
:MMEMory:SElect[:ITEM]:CSETup	ON   OFF	6.140
:MMEMory:SElect[:ITEM]:CVL[:ACTive]	ON   OFF	6.141
:MMEMory:SElect[:ITEM]:CVL:ALL	ON   OFF	6.141
:MMEMory:SElect[:ITEM]:DEFault		6.142
:MMEMory:SElect[:ITEM]:GSETup	ON   OFF	6.138
:MMEMory:SElect[:ITEM]:HCOPY	ON   OFF	6.140
:MMEMory:SElect[:ITEM]:HWSettings	ON   OFF	6.139
:MMEMory:SElect[:ITEM]:LINES[:ACTive]	ON   OFF	6.139
:MMEMory:SElect[:ITEM]:LINES:ALL	ON   OFF	6.139
:MMEMory:SElect[:ITEM]:MACRos	ON   OFF	6.140
:MMEMory:SElect[:ITEM]:NONE		6.142
:MMEMory:SElect[:ITEM]:SCData	ON   OFF	6.140
:MMEMory:SElect[:ITEM]:TRACe<1 to 4>	ON   OFF	6.139
:MMEMory:SElect[:ITEM]:TRANSDucer[:ACTive]	ON   OFF	6.140
:MMEMory:SElect[:ITEM]:TRANSDucer:ALL	ON   OFF	6.141
:MMEMory:STORE:STATE	path, file name	6.137
:MMEMory:STORE:TRACe	1 to 4, path	6.138
:OUTPut:AF:SENSitivity	0.1 PCT to 100 PCT for AM 0.1 KHZ to 100 KHZ for FM 0.0 1RAD to 10 RAD for PM	6.144
:OUTPut:UPORt<1 2>:STATE	ON   OFF	6.143
:OUTPut:UPORt<1 2>[:VALue]	#B00000000 to #B11111111	6.143
:OUTPut[:STATE]	ON   OFF	6.143
:READ:BURSt:FERRor:AVERAge?		6.148
:READ:BURSt:FERRor:MAXimum?		6.149
:READ:BURSt:FERRor:STATus?		6.148
:READ:BURSt:MACCuracy:FREQuency:AVERAge?		6.158
:READ:BURSt:MACCuracy:FREQuency:MAXimum?		6.158
:READ:BURSt:MACCuracy:FREQuency:STATus?		6.158
:READ:BURSt:MACCuracy:OPSUPpress:AVERAge?		6.156
:READ:BURSt:MACCuracy:OPSUPpress:MAXimum?		6.156
:READ:BURSt:MACCuracy:OPSUPpress:STATus?		6.156
:READ:BURSt:MACCuracy:PEAK:AVERAge?		6.155
:READ:BURSt:MACCuracy:PEAK:MAXimum?		6.155
:READ:BURSt:MACCuracy:PEAK:STATus?		6.155
:READ:BURSt:MACCuracy:PERCentile:AVERAge?		6.157
:READ:BURSt:MACCuracy:PERCentile:MAXimum?		6.157
:READ:BURSt:MACCuracy:PERCentile:STATus?		6.157
:READ:BURSt:MACCuracy:RMS:AVERAge?		6.154
:READ:BURSt:MACCuracy:RMS:MAXimum?		6.154
:READ:BURSt:MACCuracy:RMS:STATus?		6.154
:READ:BURSt:PERRor:PEAK:AVERAge?		6.147
:READ:BURSt:PERRor:PEAK:MAXimum?		6.148

Command	Parameter	Page
:READ:BURSt:PErRor:PEAK:STATus?		6.147
:READ:BURSt:PErRor:RMS:AVERAge?		6.146
:READ:BURSt:PErRor:RMS:MAXimum?		6.147
:READ:BURSt:PErRor:RMS:STATus?		6.146
:READ:BURSt:POWer:DYNamic?		6.152
:READ:BURSt:POWer:POWer:LEVel?		6.153
:READ:BURSt:POWer:STATic?		6.151
:READ:BURSt:POWer?		6.149
:READ:BURSt:REFerence[:IMMediate]?		6.153
:READ:SPECTrum:MODulation[:ALL]?		6.159
:READ:SPECTrum:SWITChing[:ALL]?		6.160
:READ:SPURious[:ALL]?		6.161
:READ:SPURious:STEP?		6.162
:[SENSe<1 2>:]ADEMod:AF:COUPling	AC   DC	6.163
:[SENSe<1 2>:]ADEMod:RTIME	ON   OFF	6.164
:[SENSe<1 2>:]ADEMod:SBANd	NORMal   INVerse	6.164
:[SENSe<1 2>:]ADEMod:SQUelch:LEVel	30 to -150 dBm	6.164
:[SENSe<1 2>:]ADEMod:SQUelch[:STATe]	ON   OFF	6.163
:[SENSe<1 2>:]AVERAge:AUTO	ON   OFF	6.165
:[SENSe<1 2>:]AVERAge:COUnT	0 to 256	6.165
:[SENSe<1 2>:]AVERAge[:STATe]	ON   OFF	6.165
:[SENSe<1 2>:]AVERAge:TYPE	MAXimum   SCALar	6.166
:[SENSe<1 2>:]BANDwidth BWIDth:DEMod	5 kHz to 200 kHz (Real Time on) 5 kHz to 5 MHz (Real Time off)	6.169
:[SENSe<1 2>:]BANDwidth BWIDth:PLL	AUTO   HIGH   MEDIUm   LOW	6.170
:[SENSe<1 2>:]BANDwidth BWIDth[:RESolution]	10Hz to 10MHz (model 20), 1Hz to 10MHz (model 30)	6.167
:[SENSe<1 2>:]BANDwidth BWIDth[:RESolution]:AUTO	ON   OFF	6.168
:[SENSe<1 2>:]BANDwidth BWIDth[:RESolution]:MODE	ANALog   DIGital	6.168
:[SENSe<1 2>:]BANDwidth BWIDth[:RESolution]:MODE:FFT	ON   OFF	6.168
:[SENSe<1 2>:]BANDwidth BWIDth[:RESolution]:RATio	0.0001 to 1	6.168
:[SENSe<1 2>:]BANDwidth BWIDth:VIDeo	1Hz to 10MHz	6.169
:[SENSe<1 2>:]BANDwidth BWIDth:VIDeo:AUTO	ON   OFF	6.169
:[SENSe<1 2>:]BANDwidth BWIDth:VIDeo:RATio	0.001 to 1000   SINE   PULSE   NOISE	6.169
:[SENSe<1 2>:]CORRection:COLlect[:ACQuire]	THROUGH   OPEN	6.172
:[SENSe<1 2>:]CORRection:CVL:Band	A Q U V E W F D G Y J	6.179
:[SENSe<1 2>:]CORRection:CVL:BIAS	<numeric_value>	6.180
:[SENSe<1 2>:]CORRection:CVL:CATalog?		6.178
:[SENSe<1 2>:]CORRection:CVL:CLEar		6.180
:[SENSe<1 2>:]CORRection:CVL:COMMeNt	<string>	6.180
:[SENSe<1 2>:]CORRection:CVL:DATA	<freq>,<level>..	6.180
:[SENSe<1 2>:]CORRection:CVL:MIXer	<string>	6.178
:[SENSe<1 2>:]CORRection:CVL:PORTs	2   3	6.179
:[SENSe<1 2>:]CORRection:CVL:SElect	<file_name>	6.178
:[SENSe<1 2>:]CORRection:CVL:SNUMber	<string>	6.179
:[SENSe<1 2>:]CORRection:CVL:TYPE	ODD   EVEN   EODD	6.179

Command	Parameter	Page
:[SENSe<1 2>:]CORRection:LOSS:INPut[:MAGNitude]	<value of ext. attenuation in dB>	6.177
:[SENSe<1 2>:]CORRection:METHod	TRANsmission   REFLeXion	6.172
:[SENSe<1 2>:]CORRection:RECall		6.172
:[SENSe<1 2>:]CORRection:RXGain:INPut[:MAGNitude]	<value of the amplification in dB>	6.177
:[SENSe<1 2>:]CORRection:TRANsducer:ACTive?		6.173
:[SENSe<1 2>:]CORRection:TRANsducer:CATalog?		6.173
:[SENSe<1 2>:]CORRection:TRANsducer:COMMeNt	<string>	6.174
:[SENSe<1 2>:]CORRection:TRANsducer:DATA	<freq>,<level>..	6.174
:[SENSe<1 2>:]CORRection:TRANsducer:DELeTe		6.175
:[SENSe<1 2>:]CORRection:TRANsducer:SCALing	LINear LOGarithmic	6.174
:[SENSe<1 2>:]CORRection:TRANsducer:SELeCt	<name>	6.173
:[SENSe<1 2>:]CORRection:TRANsducer[:STATe]	ON   OFF	6.174
:[SENSe<1 2>:]CORRection:TRANsducer:UNIT	<string>	6.173
:[SENSe<1 2>:]CORRection:TSET:ACTive?		6.175
:[SENSe<1 2>:]CORRection:TSET:BReAk	ON   OFF	6.176
:[SENSe<1 2>:]CORRection:TSET:CATalog?		6.175
:[SENSe<1 2>:]CORRection:TSET:COMMeNt	<string>	6.176
:[SENSe<1 2>:]CORRection:TSET:DELeTe		6.177
:[SENSe<1 2>:]CORRection:TSET:RANGe<1 to 10>	<freq>,<freq>,<name>..	6.176
:[SENSe<1 2>:]CORRection:TSET:SELeCt	<name>	6.175
:[SENSe<1 2>:]CORRection:TSET[:STATe]	ON   OFF	6.177
:[SENSe<1 2>:]CORRection:TSET:UNIT	<string>	6.176
:[SENSe<1 2>:]CORRection[:STATe]	ON   OFF	6.172
:[SENSe<1 2>:]DDEMod:FiLTeR:ALPHa	0.2 to 1	6.185
:[SENSe<1 2>:]DDEMod:FiLTeR:MEASurement	OFF   RCOSine   RRCosine   GAUSSian   B22   B25   B44   QFM   FM95   QFR   FR95   QRM   RM95   QRR   RR95   A25Fm   EMES   EREF	6.185
:[SENSe<1 2>:]DDEMod:FiLTeR:REFerence	RCOSine   RRCosine   GAUSSian   B22   B25   B44   QFM   FM95   QFR   FR95   QRM   RM95   QRR   RR95   A25Fm   EMES   EREF	6.185
:[SENSe<1 2>:]DDEMod:FORMat	QPSK   PSK   MSK   QAM   FSK	6.183
:[SENSe<1 2>:]DDEMod:FSK:NSTate	2   4	6.184
:[SENSe<1 2>:]DDEMod:MSK:FORMat	TYPE1   TYPE2   NORMal   DIFFerential	6.184
:[SENSe<1 2>:]DDEMod:NORMalize	ON   OFF	6.186
:[SENSe<1 2>:]DDEMod:PRATe	1   2   4   8   16	6.185
:[SENSe<1 2>:]DDEMod:PRESet	GSM   EDGE   NADC   TETRa   DCS1800   PCS1900   PHS   PDCup   PDCDown   APCO25CQPSK   APCO25C4FM   CDPD   DECT   CT2   ERMes   MODacom   PWT   TFTS   F16   F322   F324   F64   FQCDma   F95Cdma   RQCDma   R95Cdma   FNADc   RNADc	6.189
:[SENSe<1 2>:]DDEMod:PSK:FORMat	NORMal   DIFFerential   N3Pi8	6.183
:[SENSe<1 2>:]DDEMod:PSK:NSTate	2   8	6.183
:[SENSe<1 2>:]DDEMod:QAM:NSTate	16	6.184

Command	Parameter	Page
:[SENSe<1 2>:]DDEMod:QPSK:FORMat	NORMal   DIFFerential   OFFSet   DPI4	6.183
:[SENSe<1 2>:]DDEMod:SBANd	NORMal   INVerse	6.183
:[SENSe<1 2>:]DDEMod:SEARCh:PULSe:STATe	ON   OFF	6.186
:[SENSe<1 2>:]DDEMod:SEARCh:SYNC:CATalog?		6.186
:[SENSe<1 2>:]DDEMod:SEARCh:SYNC:COMMeNt	<string>	6.187
:[SENSe<1 2>:]DDEMod:SEARCh:SYNC:DATA	<string>	6.187
:[SENSe<1 2>:]DDEMod:SEARCh:SYNC:DELeTe	<string>	6.188
:[SENSe<1 2>:]DDEMod:SEARCh:SYNC:MONLy	ON   OFF	6.188
:[SENSe<1 2>:]DDEMod:SEARCh:SYNC:NAME	<string>	6.187
:[SENSe<1 2>:]DDEMod:SEARCh:SYNC:OFFSet	<numeric_value>	6.186
:[SENSe<1 2>:]DDEMod:SEARCh:SYNC:PATTeRn	<string>	6.187
:[SENSe<1 2>:]DDEMod:SEARCh:SYNC:SELeCt	<string>	6.186
:[SENSe<1 2>:]DDEMod:SEARCh:SYNC:STATe	ON   OFF	6.187
:[SENSe<1 2>:]DDEMod:SEARCh:TIME	100 to 1600	6.188
:[SENSe<1 2>:]DDEMod:SRATe	160 Hz to 1.6 MHz	6.184
:[SENSe<1 2>:]DDEMod:TIME	1 to Frame Length	6.184
:[SENSe<1 2>:]DETeCtor<1 to 4>:[FUNCTioN]	APeak   NEGative   POSitive   SAMPlE   RMS   AVERAge	6.181
:[SENSe<1 2>:]DETeCtor<1 to 4>:[FUNCTioN]:AUTO	ON   OFF	6.181
:[SENSe<1 2>:]FILTeR:CCITf[:STATe]	ON   OFF	6.191
:[SENSe<1 2>:]FILTeR:CMESsage[:STATe]	ON   OFF	6.191
:[SENSe<1 2>:]FILTeR:DEMPHasiS:LiNK	DISPlay   AUDio	6.192
:[SENSe<1 2>:]FILTeR:DEMPHasiS:TCONStant	<numeric_value>	6.192
:[SENSe<1 2>:]FILTeR:DEMPHasiS[:STATe]	ON   OFF	6.191
:[SENSe<1 2>:]FILTeR:HPASs:FREQuency	30 Hz   300 Hz	6.190
:[SENSe<1 2>:]FILTeR:HPASS[:STATe]	ON   OFF	6.190
:[SENSe<1 2>:]FILTeR:LPASs:FREQuency	3 kHz   15 kHz (real time on) 5 PCT 10 PCT 25 PCT (real time off)	6.191
:[SENSe<1 2>:]FILTeR:LPASs[:STATe]	ON   OFF	6.190
:[SENSe<1 2>:]FREQuency:CENTer	0 GHz to $f_{max}$	6.193
:[SENSe<1 2>:]FREQuency:CENTer:LiNK	STARt   STOP   SPAN	6.193
:[SENSe<1 2>:]FREQuency:CENTer:STEP	0 to $f_{max}$	6.193
:[SENSe<1 2>:]FREQuency:CENTer:STEP:LiNK	SPAN   RBW   OFF	6.194
:[SENSe<1 2>:]FREQuency:CENTer:STEP:LiNK:FACTor	1 to 100 PCT	6.194
:[SENSe<1 2>:]FREQuency:MODE	CW FIXed   SWEep	6.196
:[SENSe<1 2>:]FREQuency:OFFSet	<numeric_value>	6.196
:[SENSe<1 2>:]FREQuency:SPAN	0 GHz to $f_{max}$	6.194
:[SENSe<1 2>:]FREQuency:SPAN:FULL		6.194
:[SENSe<1 2>:]FREQuency:SPAN:LiNK	CENTer   STOP   SPAN	6.194
:[SENSe<1 2>:]FREQuency:STARt	0 GHz to $f_{max}$	6.195
:[SENSe<1 2>:]FREQuency:STARt:LiNK	CENTer   STOP   SPAN	6.195
:[SENSe<1 2>:]FREQuency:STOP	0 GHz to $f_{max}$	6.195
:[SENSe<1 2>:]FREQuency:STOP:LiNK	CENTer   STARt   SPAN	6.195
:[SENSe<1 2>:]MiXer:BIAS	<numeric_value>	6.200
:[SENSe<1 2>:]MiXer:BLOCK	ON   OFF	6.197
:[SENSe<1 2>:]MiXer:HARMonic	1 to 62	6.198

Command	Parameter	Page
:[SENSe<1 2>:]MIXer:HARMonic:BAND	A   Q   U   V   E   W   F   D   G   Y   J	6.199
:[SENSe<1 2>:]MIXer:HARMonic:TYPE	ODD   EVEN   EODD	6.199
:[SENSe<1 2>:]MIXer:LOSS:HIGH	<numeric_value>	6.199
:[SENSe<1 2>:]MIXer:LOSS:TABLE	<file_name>	6.200
:[SENSe<1 2>:]MIXer:LOSS[:LOW]	<numeric_value>	6.199
:[SENSe<1 2>:]MIXer:PORTs	2   3	6.198
:[SENSe<1 2>:]MIXer:SIGNAL	ON   OFF   AUTO	6.198
:[SENSe<1 2>:]MIXer:THReshold	0.1 to 100 dB	6.198
:[SENSe<1 2>:]MIXer[:STATe]	ON   OFF	6.197
:[SENSe<1 2>:]MSUMmary:AHOLd[:STATe]	ON   OFF	6.201
:[SENSe<1 2>:]MSUMmary:MODE	ABSolute   RELative	6.201
:[SENSe<1 2>:]MSUMmary:MTIME	0.1 s   1 s	6.202
:[SENSe<1 2>:]MSUMmary:REFerence	<numeric_value>	6.202
:[SENSe<1 2>:]MSUMmary:REFerence:AUTO	ONCE	6.202
:[SENSe<1 2>:]MSUMmary:RUNIt	PCT   DB	6.201
:[SENSe<1 2>:]POWer:ACHannel:ACPairs	1 to 3	6.204
:[SENSe<1 2>:]POWer:ACHannel:BANDwidth BWIDth:ACHannel	0 to 1000MHz	6.204
:[SENSe<1 2>:]POWer:ACHannel:BANDwidth BWIDth:ALTErnate<1 2>	0 to 1000MHz	6.204
:[SENSe<1 2>:]POWer:ACHannel:BANDwidth BWIDth[:CHANnel]	0 to 1000 MHz	6.204
:[SENSe<1 2>:]POWer:ACHannel:MODE	ABSolute   RELative	6.205
:[SENSe<1 2>:]POWer:ACHannel:PRESet	ACPower   CPOWER   OBANDwidth   OBWidth   CN   CN0   ADJust	6.205
:[SENSe<1 2>:]POWer:ACHannel:REFerence:AUTO	ONCE	6.205
:[SENSe<1 2>:]POWer:ACHannel:SPACing:ACHannel	0 to 1000MHz	6.203
:[SENSe<1 2>:]POWer:ACHannel:SPACing:ALTErnate<1 2>	0 to 1000MHz	6.203
:[SENSe<1 2>:]POWer:ACHannel:SPACing[:UPPer]	0 to 1000 MHz	6.203
:[SENSe<1 2>:]POWer:BANDwidth BWIDth	0 to 100PCT	6.205
:[SENSe<1 2>:]ROSCillator:EXTernal:FREQuency	1MHz to 16MHz	6.206
:[SENSe<1 2>:]ROSCillator[:INTernal]:TUNE	0 to 4095	6.206
:[SENSe<1 2>:]ROSCillator[:INTernal]:TUNE:SAVe		6.206
:[SENSe<1 2>:]ROSCillator:SOURce	INTernal   EXTernal	6.206
:[SENSe<1 2>:]SWEep:COUNT	0 to 32767	6.208
:[SENSe<1 2>:]SWEep:EGATE	ON   OFF	6.208
:[SENSe<1 2>:]SWEep:EGATE:HOLDoff	0 to 100s	6.209
:[SENSe<1 2>:]SWEep:EGATE:LENGth	0 to 100s	6.209
:[SENSe<1 2>:]SWEep:EGATE:LEVel	-5V to +5V	6.208
:[SENSe<1 2>:]SWEep:EGATE:POLarity	POSitive   NEGative	6.208
:[SENSe<1 2>:]SWEep:EGATE:SOURce	EXTernal   RFPower	6.209
:[SENSe<1 2>:]SWEep:EGATE:TYPE	LEVel   EDGE	6.208
:[SENSe<1 2>:]SWEep:GAP	ON   OFF	6.209
:[SENSe<1 2>:]SWEep:GAP:LENGth	0 to 100s	6.210
:[SENSe<1 2>:]SWEep:GAP:PRETrigger	0 to 100s	6.209
:[SENSe<1 2>:]SWEep:GAP:TRGTogap	0 to 100s	6.210
:[SENSe<1 2>:]SWEep:POINTs	500 to 2000	6.210
:[SENSe<1 2>:]SWEep:TIME	<numeric_value>	6.207
:[SENSe<1 2>:]SWEep:TIME:AUTO	ON   OFF	6.207
:[SENSe<1 2>:]JTCAPture:LENGth	1024   2048   4096   8192   16384	6.189

<b>Command</b>	<b>Parameter</b>	<b>Page</b>
:[SENSe<1 2>:]TV:PSOFFset	0 to 6.5 MHz	6.211
:[SENSe<1 2>:]TV[:STATe]	ON   OFF	6.211
:SOURce:AM:STATe	ON   OFF	6.212
:SOURce:DM:STATe	ON   OFF	6.212
:SOURce:FREQuency:OFFSet	-200 MHz to 200 MHz	6.213
:SOURce:POWer:ALC:SOURce	INTernal   EXTernal	6.213
:SOURce:POWer[:LEVel][:IMMEDIATE]:OFFSet	-200 dB to +200 dB	6.213
:SOURce:POWer[:LEVel][:IMMEDIATE][:AMPLitude]	20dBm to 0dBm / Option FSE-B12: -90 to 0 dBm	6.213
:STATus:OPERation:CONDition?		6.215
:STATus:OPERation:ENABLE	0 to 65535	6.216
:STATus:OPERation[:EVENT]?		6.215
:STATus:OPERation:NTRansition	0 to 65535	6.216
:STATus:OPERation:PTRansition	0 to 65535	6.216
:STATus:QUEStionable:CONDition?		6.217
:STATus:QUEStionable:ENABLE	0 to 65535	6.217
:STATus:QUEStionable[:EVENT]?		6.217
:STATus:QUEStionable:NTRansition	0 to 65535	6.217
:STATus:QUEStionable:PTRansition	0 to 65535	6.217
:STATus:PRESet		6.216
:STATus:QUEStionable:ACPLimit:CONDition?		6.222
:STATus:QUEStionable:ACPLimit:ENABLE	0 to 65535	6.222
:STATus:QUEStionable:ACPLimit[:EVENT]?		6.222
:STATus:QUEStionable:ACPLimit:NTRansition	0 to 65535	6.222
:STATus:QUEStionable:ACPLimit:PTRansition	0 to 65535	6.222
:STATus:QUEStionable:FREQuency:CONDition?		6.223
:STATus:QUEStionable:FREQuency:ENABLE	0 to 65535	6.223
:STATus:QUEStionable:FREQuency[:EVENT]?		6.223
:STATus:QUEStionable:FREQuency:NTRansition	0 to 65535	6.224
:STATus:QUEStionable:FREQuency:PTRansition	0 to 65535	6.223
:STATus:QUEStionable:LIMit:CONDition?		6.219
:STATus:QUEStionable:LIMit:ENABLE	0 to 65535	6.219
:STATus:QUEStionable:LIMit[:EVENT]?		6.219
:STATus:QUEStionable:LIMit:NTRansition	0 to 65535	6.219
:STATus:QUEStionable:LIMit:PTRansition	0 to 65535	6.219
:STATus:QUEStionable:LMARgin:CONDition?		6.220
:STATus:QUEStionable:LMARgin:ENABLE	0 to 65535	6.220
:STATus:QUEStionable:LMARgin[:EVENT]?		6.220
:STATus:QUEStionable:LMARgin:NTRansition	0 to 65535	6.220
:STATus:QUEStionable:LMARgin:PTRansition	0 to 65535	6.220
:STATus:QUEStionable:POWer:CONDition?		6.218
:STATus:QUEStionable:POWer:ENABLE	0 to 65535	6.218
:STATus:QUEStionable:POWer[:EVENT]?		6.218
:STATus:QUEStionable:POWer:NTRansition	0 to 65535	6.218
:STATus:QUEStionable:POWer:PTRansition	0 to 65535	6.218
:STATus:QUEStionable:SYNC:CONDition?		6.221
:STATus:QUEStionable:SYNC:ENABLE	0 to 65535	6.221

Command	Parameter	Page
:STATus:QUEStionable:SYNC[:EVENT]?		6.221
:STATus:QUEStionable:SYNC:NTRansition	0 to 65535	6.221
:STATus:QUEStionable:SYNC:PTRansition	0 to 65535	6.221
:STATus:QUEStionable:TRANSDucer:CONDition?		6.224
:STATus:QUEStionable:TRANSDucer:ENABLE	0 to 65535	6.224
:STATus:QUEStionable:TRANSDucer[:EVENT]?		6.224
:STATus:QUEStionable:TRANSDucer:NTRansition	0 to 65535	6.225
:STATus:QUEStionable:TRANSDucer:PTRansition	0 to 65535	6.225
:STATus:QUEue[:NEXT]?		6.225
:SYSTem:BINFo?		6.232
:SYSTem:COMMunicate:GPIB:RDEvice<1 2>:ADDRess	0 to 30	6.227
:SYSTem:COMMunicate:GPIB[:SELF]:ADDRess	0 to 30	6.226
:SYSTem:COMMunicate:GPIB[:SELF]:RTERminator	LFEOI   EOI	6.227
:SYSTem:COMMunicate:PRINter<1 2>:ENUMerate:FIRSt?		6.229
:SYSTem:COMMunicate:PRINter<1 2>:ENUMerate:NEXt?		6.229
:SYSTem:COMMunicate:PRINter<1 2>:SELect	<printer_name>	6.229
:SYSTem:COMMunicate:SERial<1 2>:CONTRol:DTR	IBFull   OFF	6.227
:SYSTem:COMMunicate:SERial<1 2>:CONTRol:RTS	IBFull   OFF	6.227
:SYSTem:COMMunicate:SERial<1 2>[:RECeive]:BAUD	<numeric_value>	6.227
:SYSTem:COMMunicate:SERial<1 2>[:RECeive]:BITS	7   8	6.228
:SYSTem:COMMunicate:SERial<1 2>[:RECeive]:PACE	XON   NONE	6.228
:SYSTem:COMMunicate:SERial<1 2>[:RECeive]:PARity[:TYPE]	EVEN   ODD   NONE	6.228
:SYSTem:COMMunicate:SERial<1 2>[:RECeive]:SBITs	1   2	6.228
:SYSTem:DATE	1980 to 2099, 1 to 12, 1 to 31	6.229
:SYSTem:DISPlay:UPDate	ON   OFF	6.230
:SYSTem:ERRor?		6.230
:SYSTem:FIRMWare:UPDate	'string'	6.230
:SYSTem:PASSword[:CENable]	'password'	6.230
:SYSTem:PRESet		6.231
:SYSTem:SET	<block>	6.231
:SYSTem:SPEaker<1 2>:VOLume	0 to 1	6.231
:SYSTem:TIME	0 to 23, 0 to 59, 0 to 59	6.231
:SYSTem:VERSIon?		6.232
:TRACe:COpy	TRACE1   TRACE2   TRACE3   TRACE4, TRACE1   TRACE2   TRACE3   TRACE4	6.234
:TRACe[:DATA]	TRACE1   TRACE2   TRACE3   TRACE4, <block>   <numeric_value>	6.233
:TRIGger<1 2>[:SEQuence]:HOLDoff	-100s to 100 s	6.236
:TRIGger<1 2>[:SEQuence]:LEVel:AF	AM-Demod -120 to +120 PCT, FM-Demod -1kHz to +1 kHz, PM-Demod -12 .to.. +12 RAD	6.236
:TRIGger<1 2>[:SEQuence]:LEVel:VIDeo	0 to 100 PCT	6.236
:TRIGger<1 2>[:SEQuence]:LEVel[:EXTernal]	-5.0 V to +5.0 V	6.236
:TRIGger<1 2>[:SEQuence]:SLOPe	POSitive   NEGative	6.237
:TRIGger<1 2>[:SEQuence]:SOURce	IMMediate   LINE   EXTernal   VIDeo   RFPower   TV   AF	6.235
:TRIGger<1 2>[:SEQuence]:SYNChronize:ADJust:FRAMe:AUTO	ONCE	6.238

Command	Parameter	Page
:TRIGger<1 2>[:SEQuence]:SYNChronize:ADJJust:SLOT	-100 □ s to 100 s	6.239
:TRIGger<1 2>[:SEQuence]:SYNChronize:ADJJust:SLOT:AUTO	ONCE	6.239
:TRIGger<1 2>[:SEQuence]:SYNChronize:SOURce	FRAMe   TSC	6.239
:TRIGger<1 2>[:SEQuence]:VIDeo::FORMat:LPFRame	525   625	6.237
:TRIGger<1 2>[:SEQuence]:VIDeo:FIELD:SElect	ALL   ODD   EVEN	6.237
:TRIGger<1 2>[:SEQuence]:VIDeo:LINE:NUMBer	<numeric value>	6.237
:TRIGger<1 2>[:SEQuence]:VIDeo:SSIGnal:POLarity	NEGative   POSitive	6.238
:UNIT<1 2>:POWer	DBM   DBPW   WATT   DBUV   DBMV   VOLT   DBUA   AMP   DB   PCT   UNITLESS   DBUV_MHZ   DBMV_MHZ   DBUA_MHZ   DBUV_M   DBIA_M   DBUV_MMHZ   DBUA_MMHZ	6.240
:UNIT<1 2>:PROBe	ON   OFF	6.240

# Table of Softkeys with IEC/IEEE-Bus Command Assignment

## Basic Instrument - Signal Analysis Mode

### FREQUENCY Key Group

**START**

START  
MANUAL

: [SENSe<1|2>:]FREQUency:START <num\_value>

CENTER  
FIXED

: [SENSe<1|2>:]FREQUency:START:LINK CENTER

SPAN  
FIXED

: [SENSe<1|2>:]FREQUency:START:LINK SPAN

STOP  
FIXED

: [SENSe<1|2>:]FREQUency:START:LINK STOP

FREQ AXIS  
LIN LOG

: [SENSe<1|2>:]SWEep:SPACing LIN | LOG

**STOP**

STOP  
MANUAL

: [SENSe<1|2>:]FREQUency:STOP <num\_value>

START  
FIXED

: [SENSe<1|2>:]FREQUency:STOP:LINK START

CENTER  
FIXED

: [SENSe<1|2>:]FREQUency:STOP:LINK CENTER

SPAN  
FIXED

: [SENSe<1|2>:]FREQUency:STOP:LINK SPAN

SPAN  
FIXED

: [SENSe<1|2>:]FREQUency:STOP:LINK SPAN

FREQ AXIS  
LIN LOG

: [SENSe<1|2>:]SWEep:SPACing LIN | LOG

**CENTER**

CENTER  
MANUAL

: [SENSe<1|2>:]FREQUency:CENTER <num\_value>

START  
FIXED

: [SENSe<1|2>:]FREQUency:CENTER:LINK START

SPAN  
FIXED

: [SENSe<1|2>:]FREQUency:CENTER:LINK SPAN

STOP  
FIXED

: [SENSe<1|2>:]FREQUency:CENTER:LINK STOP

FREQUENCY  
OFFSET

: [SENSe<1|2>:]FREQUency:OFFSet <num\_value>

FREQ AXIS  
LIN LOG

: [SENSe<1|2>:]SWEep:SPACing LIN | LOG

**STEP**

AUTO  
0.1 \* SPAN

: [SENSe<1|2>:]FREQuency:CENTer:STEP:LINK SPAN;  
: [SENSe<1|2>:]FREQuency:CENTer:STEP:LINK:FACTOR 10PCT

or

AUTO  
0.1 \* RBW

: [SENSe<1|2>:]FREQuency:CENTer:STEP:LINK RBW;  
: [SENSe<1|2>:]FREQuency:CENTer:STEP:LINK:FACTOR 10PCT

AUTO  
0.5 \* SPAN

: [SENSe<1|2>:]FREQuency:CENTer:STEP:LINK SPAN;  
: [SENSe<1|2>:]FREQuency:CENTer:STEP:LINK:FACTOR 50PCT

or

AUTO  
0.5 \* RBW

: [SENSe<1|2>:]FREQuency:CENTer:STEP:LINK RBW;  
: [SENSe<1|2>:]FREQuency:CENTer:STEP:LINK:FACTOR 50PCT

AUTO  
X \* SPAN

: [SENSe<1|2>:]FREQuency:CENTer:STEP:LINK SPAN;  
: [SENSe<1|2>:]FREQuency:CENTer:STEP:LINK:FACTOR <num\_value>

or

AUTO  
X \* RBW

: [SENSe<1|2>:]FREQuency:CENTer:STEP:LINK RBW;  
: [SENSe<1|2>:]FREQuency:CENTer:STEP:LINK:FACTOR <num\_value>

STEPSIZE  
MANUAL

: [SENSe<1|2>:]FREQuency:CENTer:STEP <num\_value>

STEPSIZE  
= CENTER

no corresponding IEC/IEEE-bus command

**SPAN**

SPAN  
MANUAL

: [SENSe<1|2>:]FREQuency:SPAN <num\_value>

START  
FIXED

: [SENSe<1|2>:]FREQuency:SPAN:LINK START

CENTER  
FIXED

: [SENSe<1|2>:]FREQuency:SPAN:LINK CENTER

STOP  
FIXED

: [SENSe<1|2>:]FREQuency:SPAN:LINK STOP

ZERO  
SPAN

: [SENSe<1|2>:]FREQuency:SPAN 0HZ or  
: [SENSe<1|2>:]FREQuency:MODE CW | FIXEd

FULL  
SPAN

: [SENSe<1|2>:]FREQuency:SPAN:FULL

LAST  
SPAN

no corresponding IEC/IEEE-bus command

ZOOM

: DISPlay[:WINDow<1|2>]:TRACe<1...4>:X[:SCALe]:ZOOM ON| OFF

MOVE ZOOM  
WINDOW

: DISPlay[:WINDow<1|2>]:TRACe<1...4>:X[:SCALe]:ZOOM[:FREQuency]:CENTER  
<num\_value>

MOVE ZOOM  
START

: DISPlay[:WINDow<1|2>]:TRACe<1...4>:X[:SCALe]:ZOOM[:FREQuency]:START  
<num\_value>

MOVE ZOOM  
STOP

: DISPlay[:WINDow<1|2>]:TRACe<1...4>:X[:SCALe]:ZOOM[:FREQuency]:STOP  
<num\_value>

ZOOM OFF

: DISPlay[:WINDow<1|2>]:TRACe<1...4>:X[:SCALe]:ZOOM OFF

FREQ AXIS  
LIN LOG

: [SENSe<1|2>:]SWEep:SPACing LIN | LOG

## LEVEL Key Group

REF	
REF LEVEL	:DISPlay[:WINDow<1 2>]:TRACe<1...4>:Y[:SCALe]:RLEVEL <num_value>
REF LEVEL OFFSET	:DISPlay[:WINDow<1 2>]:TRACe<1...4>:Y[:SCALe]:RLEVEL:OFFSet <num_value>
GRID ABS/REL	:DISPlay[:WINDow<1 2>]:TRACe<1...4>:Y[:SCALe]:MODE ABSolute RELative
UNIT	--
dBm	:CALCulate<1 2>:UNIT:POWer DBM
dBmV	:CALCulate<1 2>:UNIT:POWer DBMV
dBμV	:CALCulate<1 2>:UNIT:POWer DBUV
dBμA	:CALCulate<1 2>:UNIT:POWer DBUA
dBpW	:CALCulate<1 2>:UNIT:POWer DBPW
dB*/MHZ	:CALCulate<1 2>:UNIT:POWer DBUV_MHZ :CALCulate<1 2>:UNIT:POWer DBUA_MHZ :CALCulate<1 2>:UNIT:POWer DBMV_MHZ
VOLT	:CALCulate<1 2>:UNIT:POWer VOLT
AMPERE	:CALCulate<1 2>:UNIT:POWer AMPere
WATT	:CALCulate<1 2>:UNIT:POWer WATT
PROBE CODE ON / OFF	:UNIT<1 2>:PROBe ON   OFF
ATTEN STEP 1dB / 10dB	:INPut<1 2>:ATTenuation:STEPsize 1dB  10dB (with option FSE-B13 only)
RF ATTEN MANUAL	:INPut<1 2>:ATTenuation <num_value>
ATTEN AUTO NORMAL	:INPut<1 2>:ATTenuation:AUTO:MODE NORMAl; :INPut<1 2>:ATTenuation:AUTO ON
ATTEN AUTO LOW NOISE	:INPut<1 2>:ATTenuation:AUTO:MODE LNOise; :INPut<1 2>:ATTenuation:AUTO ON
ATTEN AUTO LOW DIST	:INPut<1 2>:ATTenuation:AUTO:MODE LDISTortion; :INPut<1 2>:ATTenuation:AUTO ON
MIXER LEVEL	:INPut<1 2>:MIXer <num_value>
MAX LEVEL AUTO	:DISPlay[:WINDow<1 2>]:TRACe<1...4>:Y[:SCALe]:RVALue:AUTO ON
MAX LEVEL MANUAL	:DISPlay[:WINDow<1 2>]:TRACe<1...4>:Y[:SCALe]:RVALue:AUTO OFF; :DISPlay[:WINDow<1 2>]:TRACe<1...4>:Y[:SCALe]:RVALue <num_value>

<b>RANGE</b>	
LOG ...	:DISPlay[:WINDow<1 2>]:TRACe<1...4>:Y:SPACing LOGarithmic; :DISPlay[:WINDow<1 2>]:TRACe<1...4>:Y[:SCALe] <num_value>
LINEAR/%	:DISPlay[:WINDow<1 2>]:TRACe<1...4>:Y:SPACing PERCent
LINEAR/dB	:DISPlay[:WINDow<1 2>]:TRACe<1...4>:Y:SPACing LINear
LOG MANUAL	:DISPlay[:WINDow<1 2>]:TRACe<1...4>:Y:SPACing LOGarithmic; :DISPlay[:WINDow<1 2>]:TRACe<1...4>:Y[:SCALe] <num_value>
GRID ABS/REL	:DISPlay[:WINDow<1 2>]:TRACe<1...4>:Y[:SCALe]:MODE ABSolute RELative

### INPUT Key

<b>INPUT</b>	
RF ATTEN MANUAL	:INPut<1 2>:ATTenuation <num_value>
ATTEN AUTO NORMAL	:INPut<1 2>:ATTenuation:AUTO:MODE NORMAl; :INPut<1 2>:ATTenuation:AUTO ON
ATTEN AUTO LOW NOISE	:INPut<1 2>:ATTenuation:AUTO:MODE LNOise; :INPut<1 2>:ATTenuation:AUTO ON
ATTEN AUTO LOW DIST	:INPut<1 2>:ATTenuation:AUTO:MODE LDISTortion; :INPut<1 2>:ATTenuation:AUTO ON
MIXER LEVEL	:INPut<1 2>:MIXer <num_value>
ATTEN STEP 1dB / 10dB	:INPut<1 2>:ATTenuation:STEPsize 1dB  10dB (with option FSE-B13 only)
INPUT SELECT	--
RF INPUT 50 OHM	:INPut<1 2>:IMPedance 50
RF INPUT 75 OHM/RAM	:INPut<1 2>:IMPedance:CORRection RAM
RF INPUT 75OHM/RAZ	:INPut<1 2>:IMPedance:CORRection RAZ

MARKER Key Group

<b>NORMAL</b>	
MARKER 1..4	:CALCulate<1 2>:MARKer<1...4>[:STATe] ON   OFF; :CALCulate<1 2>:MARKer<1...4>:X <num_value>; :CALCulate<1 2>:MARKer<1...4>:Y?
SIGNAL COUNT	:CALCulate<1 2>:MARKer<1...4>:COUNT ON   OFF; :CALCulate<1 2>:MARKer<1...4>:COUNT:FREQuency?
MARKER DEMODO	
MKR DEMOD ON/OFF	:CALCulate<1 2>:MARKer<1...4>:FUNctIon:DEMOdulation[:STATe] ON   OFF
AM	:CALCulate<1 2>:MARKer<1...4>:FUNctIon:DEMOdulation:SELEct AM
FM	:CALCulate<1 2>:MARKer<1...4>:FUNctIon:DEMOdulation:SELEct FM
MKR STOP TIME	:CALCulate<1 2>:MARKer<1...4>:FUNctIon:DEMOdulation:HOLDOff <num_value>
VOLUME	:SYSTEM:SPEaker<1 2>:VOLume <num_value>
MARKER ZOOM	:CALCulate<1 2>:MARKer<1...4>:FUNctIon:ZOOM <num_value>
MARKER INFO	DISPlay<1 2>:WINDow<1 2>:MINfo ON   OFF (screen display)
ALL MARKER OFF	:CALCulate<1 2>:MARKer<1...4>:AOFF
POWER MEAS SETTINGS	
SET NO OF ADJ CHAN'S	:[SENSe<1 2>:]POWer:ACHannel:ACPairs <num_value>
ACP STANDARD	:CALCulate<1 2>:MARKer<1...4>:FUNctIon:POWer:PRESet NADC  TETRA  PDC  PHS  CDPD  F8CDma  R8Cdma  F19Cdma  R19Cdma   NONE   FO8Cdma   RO8Cdma   FO19CDMA   RO19CDMA   TCDMA
CH FILTER ON/OFF	:CALCulate<1 2>:MARKer<1...4>:FUNctIon:POWer:CFILter ON   OFF
CHANNEL BANDWIDTH	: [SENSe<1 2>:]POWer:ACHannel:BANDwidth BWIDth[:CHANnel] <num_value> : [SENSe<1 2>:]POWer:ACHannel:BANDwidth BWIDth:ACHannel <num_value> : [SENSe<1 2>:]POWer:ACHannel:BANDwidth BWIDth:ALternate<1 2> <num_value>
CHANNEL SPACING	: [SENSe<1 2>:]POWer:ACHannel:SPACing[:UPPer] <num_value> : [SENSe<1 2>:]POWer:ACHannel:SPACing:ACHannel <num_value> : [SENSe<1 2>:]POWer:ACHannel:SPACing:ALternate<1 2> <num_value>
EDIT ACP LIMITS	:CALCulate<1 2>:LIMit<1...8>:ACPoweR:ACHannel <num_value>,<num_value> :CALCulate<1 2>:LIMit<1...8>:ACPoweR:ACHannel:STATe ON   OFF :CALCulate<1 2>:LIMit<1...8>:ACPoweR:ALternate<1 2> <num_value>, <num_value> :CALCulate<1 2>:LIMit<1...8>:ACPoweR:ALternate<1 2>:STATe ON   OFF
LIMIT CHECK	:CALCulate<1 2>:LIMit:ACPoweR[:STATe] ON   OFF :CALCulate<1 2>:LIMit<1...8>:ACPoweR:ACHannel:RESult? :CALCulate<1 2>:LIMit<1...8>:ACPoweR:ALternate<1 2>:RESult?

% POWER BANDWIDTH	:[SENSe<1 2>:]POWer:Bandwidth BWiDth <num_value>
CHANNEL POWER	:CALCulate<1 2>:MARKer<1...4>:FUNction:POWer:SElect CPower; :CALCulate<1 2>:MARKer<1...4>:FUNction:POWer:RESult? CPower; :CALCulate<1 2>:MARKer<1...4>:FUNction:POWer[:STATE] OFF
CP/ACP ABS/REL	:[SENSe<1 2>:]POWer:ACHannel:MODE ABSolute RELative
SET CP REFERENCE	:[SENSe<1 2>:]POWer:ACHannel:REFerence:AUTO ONCE
C/N	:CALCulate<1 2>:MARKer<1...4>:FUNction:POWer:SElect CN; :CALCulate<1 2>:MARKer<1...4>:FUNction:POWer:RESult? CN; :CALCulate<1 2>:MARKer<1...4>:FUNction:POWer[:STATE] OFF
C/No	:CALCulate<1 2>:MARKer<1...4>:FUNction:POWer:SElect CN0; :CALCulate<1 2>:MARKer<1...4>:FUNction:POWer:RESult? CN0; :CALCulate<1 2>:MARKer<1...4>:FUNction:POWer[:STATE] OFF
ADJACENT CHAN POWER	:CALCulate<1 2>:MARKer<1...4>:FUNction:POWer:SElect ACPower; :CALCulate<1 2>:MARKer<1...4>:FUNction:POWer:RESult? ACPower; :CALCulate<1 2>:MARKer<1...4>:FUNction:POWer[:STATE] OFF
ADJUST CP SETTINGS	:[SENSe<1 2>:]POWer:ACHannel:PRESet ADJust
OCCUPIED PWR BANDW	:CALCulate<1 2>:MARKer<1...4>:FUNction:POWer:SElect OBANdwidth   Bwidth :CALCulate<1 2>:MARKer<1...4>:FUNction:POWer:RESult? OBANdwidth   Bwidth :CALCulate<1 2>:MARKer<1...4>:FUNction:POWer[:STATE] OFF
COUNTER RESOL	:CALCulate<1 2>:MARKer<1...4>:COUNT:RESolution <num_value>
SIGNAL TRACK	:CALCulate<1 2>:MARKer<1...4>:FUNction:STRack[:STATE] ON   OFF
NOISE	:CALCulate<1 2>:MARKer<1...4>:FUNction:NOISE[:STATE] ON   OFF; :CALCulate<1 2>:MARKer<1...4>:FUNction:NOISE:RESult?
<b>STEP</b>	
STEP SIZE AUTO	:CALCulate<1 2>:MARKer<1...4>:STEP:AUTO ON   OFF
STEP SIZE MANUAL	:CALCulate<1 2>:MARKer<1...4>:STEP[:INCRement] <num_value>
MKR TO STEP SIZE	:CALCulate<1 2>:MARKer<1...4>:FUNction:MSTep
DELTA TO STEP SIZE	--



RMS	:CALCulate<1 2>:MARKer<1...4>:FUNCTION:SUMMARY:RMS[:STATE] ON   OFF :CALCulate<1 2>:MARKer<1...4>:FUNCTION:SUMMARY:RMS:RESult? :CALCulate<1 2>:MARKer<1...4>:FUNCTION:SUMMARY:RMS:AVERAGE:RESult? :CALCulate<1 2>:MARKer<1...4>:FUNCTION:SUMMARY:RMS:PHOLD:RESult?
MEAN	:CALCulate<1 2>:MARKer<1...4>:FUNCTION:SUMMARY:MEAN[:STATE] ON   OFF :CALCulate<1 2>:MARKer<1...4>:FUNCTION:SUMMARY:MEAN:RESult? :CALCulate<1 2>:MARKer<1...4>:FUNCTION:SUMMARY:MEAN:AVERAGE:RESult? :CALCulate<1 2>:MARKer<1...4>:FUNCTION:SUMMARY:MEAN:PHOLD:RESult?
PEAK HOLD ON/OFF	:CALCulate<1 2>:MARKer<1...4>:FUNCTION:SUMMARY:PHOLD ON   OFF
AVERAGE ON/OFF	:CALCulate<1 2>:MARKer<1...4>:FUNCTION:SUMMARY:AVERAGE ON   OFF
SWEEP COUNT	:[SENSe<1 2>:]SWEep:COUNT <num_value>
ALL SUM MKR OFF	:CALCulate<1 2>:MARKer<1...4>:FUNCTION:SUMMARY:AOFF
SEARCH LIM ON/OFF	:CALCulate<1 2>:MARKer<1...4>:X:SLIMITS[:STATE] ON   OFF
SELECT MARKER	no corresponding IEC/IEEE-bus command
ACTIVE MKR/DELTA	no corresponding IEC/IEEE-bus command
MIN	:CALCulate<1 2>:MARKer<1...4>:MINimum[:PEAK] :CALCulate<1 2>:DELTAmarker<1...4>:MINimum[:PEAK]
NEXT MIN	:CALCulate<1 2>:MARKer<1...4>:MINimum:NEXT :CALCulate<1 2>:DELTAmarker<1...4>:MINimum:NEXT
NEXT MIN LEFT	:CALCulate<1 2>:MARKer<1...4>:MINimum:LEFT :CALCulate<1 2>:DELTAmarker<1...4>:MINimum:LEFT
NEXT MIN RIGHT	:CALCulate<1 2>:MARKer<1...4>:MINimum:RIGHT :CALCulate<1 2>:DELTAmarker<1...4>:MINimum:RIGHT
EXCLUDE LO ON/OFF	:CALCulate<1 2>:MARKer<1...4>:LOEXclude ON   OFF
PEAK EXCURSION	:CALCulate<1 2>:MARKer<1...4>:PEXCursion <num_value>
N dB DOWN	:CALCulate<1 2>:MARKer<1...4>:FUNCTION:NDBDown <num_value> :CALCulate<1 2>:MARKer<1...4>:FUNCTION:NDBDown:STATE ON   OFF :CALCulate<1 2>:MARKer<1...4>:FUNCTION:NDBDown:RESult? :CALCulate<1 2>:MARKer<1...4>:FUNCTION:NDBDown:FREQuency?
SHAPE FACT 60/3 dB	:CALCulate<1 2>:MARKer<1...4>:FUNCTION:SFACTOR (60dB/3dB) :CALCulate<1 2>:MARKer<1...4>:FUNCTION:SFACTOR:STATE ON   OFF :CALCulate<1 2>:MARKer<1...4>:FUNCTION:SFACTOR:RESult? :CALCulate<1 2>:MARKer<1...4>:FUNCTION:SFACTOR:FREQuency?
SHAPE FACT 60/6 dB	:CALCulate<1 2>:MARKer<1...4>:FUNCTION:SFACTOR (60dB/6dB) :CALCulate<1 2>:MARKer<1...4>:FUNCTION:SFACTOR:STATE ON   OFF :CALCulate<1 2>:MARKer<1...4>:FUNCTION:SFACTOR:RESult? :CALCulate<1 2>:MARKer<1...4>:FUNCTION:SFACTOR:FREQuency?

MKR->	
PEAK	:CALCulate<1 2>:MARKer<1...4>:MAXimum[:PEAK] :CALCulate<1 2>:DELTamarker<1...4>:MAXimum[:PEAK]
MKR-> CENTER	:CALCulate<1 2>:MARKer<1...4>:FUNction:CENTer
MKR-> REF LEVEL	:CALCulate<1 2>:MARKer<1...4>:FUNction:REFerence
MKR-> CF STEPSIZE	:CALCulate<1 2>:MARKer<1...4>:FUNction:CSTep
MKR-> START	:CALCulate<1 2>:MARKer<1...4>:FUNction:STARt
MKR-> STOP	:CALCulate<1 2>:MARKer<1...4>:FUNction:STOP
MKR-> TRACE	:CALCulate<1 2>:MARKer<1...4>:TRACe <num_value> :CALCulate<1 2>:DELTamarker<1...4>:TRACe <num_value>

### LINES Key Group

<b>D LINES</b>	
DISPLAY LINE 1/2	:CALCulate<1 2>:DLINe<1 2>:STATe ON   OFF; :CALCulate<1 2>:DLINe<1 2> <num_value>
THRESHOLD LINE	:CALCulate<1 2>:THReshold ON   OFF; :CALCulate<1 2>:THReshold <num_value>
REFERENCE LINE	:CALCulate<1 2>:RLINe:STATe ON   OFF; :CALCulate<1 2>:RLINe <num_value>
FREQUENCY LINE 1/2	:CALCulate<1 2>:FLINe<1 2>:STATe ON   OFF; :CALCulate<1 2>:FLINe<1 2> <num_value>
or	
TIME LINE 1/2	:CALCulate<1 2>:TLINe<1 2>:STATe ON   OFF; :CALCulate<1 2>:TLINe<1 2> <num_value>
BASELINE CLIPPING	:CALCulate<1 2>:CTHReshold:STATe ON   OFF :CALCulate<1 2>:CTHReshold <num_value>

<b>LIMITS</b>	
SELECT LIMIT LINE	:CALCulate<1 2>:LIMit<1...8>:NAME <string>; :CALCulate<1 2>:LIMit<1...8>:STATe ON   OFF
NEW LIMIT LINE	see EDIT LIMIT LINE
NAME	:CALCulate<1 2>:LIMit<1...8>:NAME <string>
VALUES	no corresponding IEC/IEEE-bus command

INSERT VALUE	no corresponding IEC/IEEE-bus command
DELETE VALUE	no corresponding IEC/IEEE-bus command
SHIFT X LIMIT LINE	:CALCulate<1 2>:LIMit<1...8>:CONTRol:SHIFt <num_value>
SHIFT Y LIMIT LINE	:CALCulate<1 2>:LIMit<1...8>:UPPer:SHIFt <num_value> :CALCulate<1 2>:LIMit<1...8>:LOWer:SHIFt <num_value>
SAVE LIMIT LINE	automatically executed during IEC/IEEE-bus operationh
EDIT LIMIT LINE	:CALCulate<1 2>:LIMit<1...8>:UNIT DB DBM PCT DBUV DBMW DBUA  DBPW DBPT WATT VOLT AMPere DBUV_MHZ DBMV_MHZ DBUA_MHZ  DBUV_M DBUV_MMHZ DBUA_M DBUA_MMHZ  :CALCulate<1 2>:LIMit<1...8>:COMMENT 'string' :CALCulate<1 2>:LIMit<1...8>:TRACe <num_value> :CALCulate<1 2>:LIMit<1...8>:CONTRol[:DATA] <num_value>, <num_value>.. :CALCulate<1 2>:LIMit<1...8>:CONTRol:DOMain FREQUency TIME :CALCulate<1 2>:LIMit<1...8>:CONTRol:OFFset <num_value> :CALCulate<1 2>:LIMit<1...8>:CONTRol:MODE RELative ABSolute :CALCulate<1 2>:LIMit<1...8>:CONTRol:SPACing LINear LOGarithmic  :CALCulate<1 2>:LIMit<1...8>:UPPer[:DATA] <num_value>, <num_value>.. :CALCulate<1 2>:LIMit<1...8>:UPPer:STATe ON OFF :CALCulate<1 2>:LIMit<1...8>:UPPer:OFFset <num_value> :CALCulate<1 2>:LIMit<1...8>:UPPer:MARGIN <num_value> :CALCulate<1 2>:LIMit<1...8>:UPPer:MODE RELative ABSolute :CALCulate<1 2>:LIMit<1...8>:UPPer:SPACing LINear LOGarithmic  :CALCulate<1 2>:LIMit<1...8>:LOWer[:DATA] <num_value>, <num_value>.. :CALCulate<1 2>:LIMit<1...8>:LOWer:STATe ON OFF :CALCulate<1 2>:LIMit<1...8>:LOWer:OFFset <num_value> :CALCulate<1 2>:LIMit<1...8>:LOWer:MARGIN <num_value> :CALCulate<1 2>:LIMit<1...8>:LOWer:MODE RELative ABSolute :CALCulate<1 2>:LIMit<1...8>:LOWer:SPACing LINear LOGarithmic  :CALCulate<1 2>:LIMit<1...8>:FAIL? :CALCulate<1 2>:LIMit<1...8>:CLEar[:IMMediate]
COPY LIMIT LINE	:CALCulate<1 2>:LIMit<1...8>:COPY 1...8   <name>
DELETE LIMIT LINE	:CALCulate<1 2>:LIMit<1...8>:DELeTe
X OFFSET	:CALCulate<1 2>:LIMit<1...8>:CONTRol:OFFset <num_value>
Y OFFSET	:CALCulate<1 2>:LIMit<1...8>:UPPer:OFFset <num_value> :CALCulate<1 2>:LIMit<1...8>:LOWer:OFFset <num_value>

## TRACE Key Group

TRACE 1	
CLEAR/ WRITE	:DISPlay[:WINDow<1 2>]:TRACe<1...4>:MODE WRITE
VIEW	:DISPlay[:WINDow<1 2>]:TRACe<1...4>:MODE VIEW
BLANK	:DISPlay[:WINDow<1 2>]:TRACe<1...4>[:STATE] OFF
AVERAGE	:DISPlay[:WINDow<1 2>]:TRACe<1...4>:MODE AVERAge or :[SENSe<1 2>]:AVERAge:MODE SCALe
MAX HOLD	:DISPlay[:WINDow<1 2>]:TRACe<1...4>:MODE MAXHold or :[SENSe<1 2>]:AVERAge:MODE MAX
MIN HOLD	:DISPlay[:WINDow<1 2>]:TRACe<1...4>:MODE MINHold or :[SENSe<1 2>]:AVERAge:MODE MIN
HOLD CONT ON/OFF	:DISPlay[:WINDow<1 2>]:TRACe<1...4>:MODE:HCONTinuous ON   OFF
SWEEP COUNT	:[SENSe<1 2>]:SWEep:COUNT <num_value>
DETECTOR	--
AUTO SELECT	:[SENSe<1 2>]:DETEctor<1...4>[:FUNction]:AUTO ON   OFF
DETECTOR AUTOPEAK	:[SENSe<1 2>]:DETEctor<1...4>[:FUNction] APEak
DETECTOR MAX PEAK	:[SENSe<1 2>]:DETEctor<1...4>[:FUNction] POSitive
DETECTOR MIN PEAK	:[SENSe<1 2>]:DETEctor<1...4>[:FUNction] NEGative
DETECTOR SAMPLE	:[SENSe<1 2>]:DETEctor<1...4>[:FUNction] SAMPlE
DETECTOR RMS	:[SENSe<1 2>]:DETEctor<1...4>[:FUNction] RMS
DETECTOR AVERAGE	:[SENSe<1 2>]:DETEctor<1...4>[:FUNction] AVERAge
COPY..	TRACe:COpy TRACE1   TRACE2   TRACE3   TRACE4 , TRACE1   TRACE2   TRACE3   TRACE4
ANALOG TR ON/OFF	:DISPlay[:WINDow<1 2>]:TRACe<1...4>:MODE:ANALog ON   OFF
TRACE MATH	--
T1-T2/T3/T4 +REF ->T1	:CALCulate<1 2>:MATH<1...4>:STATe ON :CALCulate<1 2>:MATH<1...4>[:EXPRession][:DEFine] <expr>
T1-REF ->T1	:CALCulate<1 2>:MATH<1...4>:STATe ON :CALCulate<1 2>:MATH<1...4>[:EXPRession][:DEFine] <expr>

ADJUST TO TRACE	no corresponding IEC/IEEE-bus command
TRACE MATH OFF	:CALCulate<1 2>:MATH<1...4>:STATE OFF
ASCII EXPORT	:MMEMory:STORe:TRACe 1...4,<path with file name>
ASCII CONFIG	--
EDIT PATH	the path is included in command MMEMory:STORe:TRACe
DECIM SEP . /	FORMat:DEXPort:DSEPARATOR POINT COMMA
NEW APPEND	FORMat:DEXPort:APPend[:STATE] ON   OFF
HEADER ON OFF	FORMat:DEXPort:HEADer[:STATE] ON   OFF
ASCII COMMENT	FORMat:DEXPort:COMMent ,comment`

## SWEEP Key Group

<b>COUPLING</b>	
RES BW MANUAL	: [SENSe<1 2>:]BANDwidth BWIDth[:RESolution] <num_value>
RES BW AUTO	: [SENSe<1 2>:]BANDwidth BWIDth[:RESolution]:AUTO ON   OFF
VIDEO BW MANUAL	: [SENSe<1 2>:]BANDwidth BWIDth:VIDeo <num_value>
VIDEO BW AUTO	: [SENSe<1 2>:]BANDwidth BWIDth:VIDeo:AUTO ON   OFF
SWEEP TIME MANUAL	: [SENSe<1 2>:]SWEep:TIME <num_value>
SWEEP TIME AUTO	: [SENSe<1 2>:]SWEep:TIME:AUTO ON   OFF
COUPLING DEFAULT	: [SENSe<1 2>:]BANDwidth BWIDth[:RESolution]:AUTO ON; : [SENSe<1 2>:]BANDwidth BWIDth:VIDeo:AUTO ON; : [SENSe<1 2>:]SWEep:TIME:AUTO ON
COUPLING RATIO	: [SENSe<1 2>:]BANDwidth BWIDth[:RESolution]:RATio 0.02 : [SENSe<1 2>:]BANDwidth BWIDth:VIDeo:RATio SINE
RBW / VBW SINE [1]	: [SENSe<1 2>:]BANDwidth BWIDth:VIDeo:RATio SINE
RBW / VBW PULSE [.1]	: [SENSe<1 2>:]BANDwidth BWIDth:VIDeo:RATio PULSe
RBW / VBW NOISE [10]	: [SENSe<1 2>:]BANDwidth BWIDth:VIDeo:RATio NOISe
RBW / VBW MANUAL	: [SENSe<1 2>:]BANDwidth BWIDth:VIDeo:RATio <num_value>
SPAN / RBW AUTO [50]	: [SENSe<1 2>:]BANDwidth BWIDth[:RESolution]:RATio 0.02
SPAN / RBW MANUAL	: [SENSe<1 2>:]BANDwidth BWIDth[:RESolution]:RATio <num_value>
RBW 1kHz ANA/DIG	: [SENSe<1 2>:]BANDwidth BWIDth[:RESolution]:MODE ANALog   DIGital
RBW <=1kHz FFT/NORM	: [SENSe<1 2>:]BANDwidth BWIDth[:RESolution]:MODE:FFT ON   OFF
MAIN PLL BANDWIDTH	: [SENSe<1 2>:]BANDwidth BWIDth:PLL AUTO HIGH MEDIum LOW
<b>TRIGGER</b>	
FREE RUN	: TRIGger<1 2>[:SEquence]:SOURce IMMEDIATE
VIDEO	: TRIGger<1 2>[:SEquence]:SOURce VIDeo : TRIGger<1 2>[:SEquence]:LEVel:VIDeo <num_value>

LINE	:TRIGger<1 2>[:SEquence]:SOURce LINE
EXTERN	:TRIGger<1 2>[:SEquence]:SOURce EXTernal :TRIGger<1 2>[:SEquence]:LEVel[:EXTernal] -5.0...+5.0V
RF POWER	:TRIGger<1 2>[:SEquence]:SOURce RFPower
TRIGGER DELAY	:TRIGger<1 2>[:SEquence]:HOLDoff <num_value>
SLOPE POS/NEG	:TRIGger<1 2>[:SEquence]:SLOPe POSitive NEGative
<b>SWEEP</b>	
CONTINUOUS SWEEP	:INITiate<1 2>:CONTinuous ON; :INITiate<1 2>[:IMMediate]
SINGLE SWEEP	:INITiate<1 2>:CONTinuous OFF; :INITiate<1 2>[:IMMediate]
SWEEP TIME AUTO	:[SENSe<1 2>:]SWEep:TIME:AUTO ON   OFF
SWEEP TIME MANUAL	:[SENSe<1 2>:]SWEep:TIME <num_value>
SWEEP COUNT	:[SENSe<1 2>:]SWEep:COUNT <num_value>
GAP SWEEP ON/OFF	:[SENSe<1 2>:]SWEep:GAP ON   OFF
GAP SWEEP SETTINGS	--
TRIGGER LEVEL	:TRIGger<1 2>[:SEquence]:LEVel:VIDeo <num_value>
PRE TRIGGER	:[SENSe<1 2>:]SWEep:GAP:PRETrigger <num_value>
TRG TO GAP TIME	:[SENSe<1 2>:]SWEep:GAP:TRGTogap <num_value>
GAP LENGTH	:[SENSe<1 2>:]SWEep:GAP:LENGth <num_value>
GATE ON / OFF	:[SENSe<1 2>:]SWEep:EGATE ON   OFF
GATE SETTINGS	--
GATE LEVEL	:[SENSe<1 2>:]SWEep:EGATE:LEVel <num_value>
GATE MODE LEVEL/EDGE	:[SENSe<1 2>:]SWEep:EGATE:TYPE LEVel   EDGE
GATE POL POS/NEG	:[SENSe<1 2>:]SWEep:EGATE:POLarity POSitive   NEGative
GATE DELAY	:[SENSe<1 2>:]SWEep:EGATE:HOLDoff <num_value>

GATE LENGTH	:[SENSe<1 2>:]SWEep:EGATe:LENGTh <num_value>
GATE EXTERN	:[SENSe<1 2>:]SWEep:EGATe:SOURce EXTernal
GATE RF POWER	:[SENSe<1 2>:]SWEep:EGATe:SOURce RFPower
GATE ADJUST	
GATE LEVEL	:[SENSe<1 2>:]SWEep:EGATe:LEVel <num_value>
GATE MODE LEVEL/EDGE	:[SENSe<1 2>:]SWEep:EGATe:TYPE LEVel   EDGE
GATE POL POS/NEG	:[SENSe<1 2>:]SWEep:EGATe:POLarity POSitive   NEGative
GATE DELAY	:[SENSe<1 2>:]SWEep:EGATe:HOLDOff <num_value>
GATE LENGTH	:[SENSe<1 2>:]SWEep:EGATe:LENGTh <num_value>
SWEEP TIME MANUAL	:[SENSe<1 2>:]SWEep:TIME <num_value>
RES BW MANUAL	:[SENSe<1 2>:]BANDwidth BWIDth[:RESolution] <num_value>
VIDEO MANUAL	:[SENSe<1 2>:]BANDwidth BWIDth:VIDeo <num_value>
VIDEO AUTO	:[SENSe<1 2>:]BANDwidth BWIDth:VIDeo:AUTO ON   OFF
SGL SWEEP DISP OFF	:INITiate<1 2>:DISPlay ON   OFF :INITiate<1 2>[:IMMediate]

## Basic Instrument - General Device Settings

### DATA VARIATION Key Group

HOLD	
UNLOCK	no corresponding IEC/IEEE-bus command
LOCK DATA	no corresponding IEC/IEEE-bus command
LOCK ALL	no corresponding IEC/IEEE-bus command
<b>STEP</b>	if needed, the step width is entered in the subsystem of the corresponding parameter.
STEP SIZE AUTO	--
STEP SIZE MANUAL	--

### SYSTEM Key Group

<b>DISPLAY</b>	
FULL SCREEN	DISPlay:FORMat SINGLE
SPLIT SCREEN	DISPlay:FORMat SPLit
ACTIVE SCREEN A	The screen is selected via the numeric suffix of the individual commands.
SCREEN COUPLING	--
MODE COUPLED	:INSTrument<1 2>:COUPlE MODE
HORIZONTAL SCALING	::INSTrument<1 2>:COUPlE X
VERTICAL SCALING	::INSTrument<1 2>:COUPlE Y
COUPLING CONTROL	::INSTrument<1 2>:COUPlE CONTRol
SCREENS UNCOUPLED	::INSTrument<1 2>:COUPlE NONE   ALL

CONFIG DISPLAY	--
SELECT OBJECT	--
BRIGHTNESS	DISPlay:CMAP:HSL <hue>,<sat>,<lum>
TINT	DISPlay:CMAP<1...13>:HSL <hue>,<sat>,<lum>
SATURATION	DISPlay:CMAP<1...13>:HSL <hue>,<sat>,<lum>
DEFAULT COLORS	DISPlay:CMAP<1...13>:DEFault
PREDEFINED COLORS	DISPlay:CMAP<1...13>:PDEFined BLACK   BLUE   BROWN   GREEN   CYAN   RED   MAGenta   YELLow   WHITE   DGRAY   LGRAY   LBLUe   LGREen   LcYan   LRED   LMAGenta
LOGO ON/OFF	DISPlay:LOGO ON   OFF
FREQUENCY ON/OFF	DISPlay:ANNotation:FREQUency ON   OFF
DATA ENTRY FIELD	--
DATAENTRY X	no corresponding IEC/IEEE-bus command
DATAENTRY Y	no corresponding IEC/IEEE-bus command
DEFAULT POSITION	no corresponding IEC/IEEE-bus command
DATAENTRY OPAQUE	no corresponding IEC/IEEE-bus command
TIME ON OFF	:DISPlay[:WINDow<1 2>]:TIME ON   OFF
DISPLAY COMMENT	:DISPlay[:WINDow<1 2>]:TEXT[:DATA] <string> :DISPlay[:WINDow<1 2>]:TEXT:STATE ON   OFF
SCR.SAVER ON OFF	DISPlay:PSAVer[:STATE] ON   OFF
SCR.SAVER TIME	DISPlay:PSAVer:HOLDoff <num_value>
<b>CAL</b>	
CAL SHORT	CALibration:SHORT?
CAL TOTAL	CALibration[:ALL]?
CAL RES BW	CALibration:BANDwidth BWIDth[:RESolution]?

CAL LOG	CALibration:LDEtector?
CAL LO SUPP	CALibration:LOSuppression?
CAL I/Q	CALibration:IQ?
CAL CORR ON/OFF	CALibration:STATE ON   OFF
CAL RESULTS	no corresponding IEC/IEEE-bus command
PRESEL PEAK	CALibration:PPEak?
<b>INFO</b>	
FIRMWARE VERSION	*IDN?
HARDWARE+ OPTIONS	*OPT? :SYSTem:BINFo?
SELFTEST	*TST?
EXECUTE TEST	*TST?
SYSTEM MESSAGES	:SYSTem:ERRor?
CLEAR MESSAGE	:SYSTem:ERRor?
CLEAR ALL MESSAGES	--
UPDATE MESSAGES	--
OPTIONS	*OPT?
STATISTIC	--
ATT SWITCHES	Query of number of switches operations for the attenuator: :DIAGnostic:INFO:CCOunt:ATTenuation<1 2 3>

**CONFIGURATION Key Group**

<b>MODE</b>	The submenus are described at the corresponding operating mode.
ANALYZER	:INSTRument<1 2>[:SElect] SANalyzer :INSTRument<1 2>:NSElect 1
TRACKING GENERATOR	OUTPut[:STATE] ON   OFF
VECTOR ANALYZER	:INSTRument<1 2>[:SElect] ADEMod   DDEMod :INSTRument<1 2>:NSElect 2   3
TV DEMOD	:[SENSe<1 2>:]TV[:STATE] ON   OFF
GSM MS ANALYZER	:INSTRument<1 2>[:SElect] MGSM :INSTRument<1 2>:NSElect 5
GSM BTS ANALYZER	:INSTRument<1 2>[:SElect] BGSM :INSTRument<1 2>:NSElect 4
<b>SETUP</b>	
TRANSUCER	--
TRANSUCER FACTOR	:[SENSe<1 2>:]CORRection:TRANsducer:SElect <name> :[SENSe<1 2>:]CORRection:TRANsducer[:STATE] ON   OFF
TRANSUCER SET	:[SENSe<1 2>:]CORRection:TSET:SElect <name> :[SENSe<1 2>:]CORRection:TSET[:STATE] ON   OFF
EDIT TRD FACTOR	:[SENSe<1 2>:]CORRection:TRANsducer:SCALing LINear LOGarithmic :[SENSe<1 2>:]CORRection:TRANsducer:COMMENT <string>
TRD FACTOR NAME	:[SENSe<1 2>:]CORRection:TRANsducer:SElect <name>
TRD FACTOR UNIT	:[SENSe<1 2>:]CORRection:TRANsducer:UNIT <string>
TRD FACTOR VALUES	:[SENSe<1 2>:]CORRection:TRANsducer:DATA <freq>,<level>..
INSERT LINE	no corresponding IEC/IEEE-bus command
DELETE LINE	no corresponding IEC/IEEE-bus command
SAVE TRD FACTOR	automatically executed during IEC/IEEE-bus operationh
EDIT TRD SET	:[SENSe<1 2>:]CORRection:TSET:BREak ON   OFF :[SENSe<1 2>:]CORRection:TSET:COMMENT <string>
TRANSD SET NAME	:[SENSe<1 2>:]CORRection:TSET:SElect <name>
TRANSD SET UNIT	:[SENSe<1 2>:]CORRection:TSET:UNIT <string>

TRANS D SET RANGES	:[SENSe<1 2>:]CORRection:TSET:RANGe<1...10> <freq>,<freq1>,<name>..
INSERT LINE	no corresponding IEC/IEEE-bus command
DELETE LINE	no corresponding IEC/IEEE-bus command
SAVE TRD SET	automatically executed during IEC/IEEE-bus operationh
NEW FACT/SET	see EDIT TRD FACTOR or EDIT TRD SET
DELETE FACTOR/SET	:[SENSe<1 2>:]CORRection:TRANsducer:DELeTe :[SENSe<1 2>:]CORRection:TSET:DELeTe
OPTIONS	no corresponding IEC/IEEE-bus command
REFERENCE INT/EXT	:[SENSe<1 2>:]ROSCillator:SOURce INTernal EXTernal
EXT REF FREQUENCY	:[SENSe<1 2>:]ROSCillator:EXTernal:FREQuency <num_value>
SERVICE	--
INPUT RF	:DIAGnostic:SERvice:INPut[:SELeCt] RF
INPUT CAL	:DIAGnostic:SERvice:INPut[:SELeCt] CALibration
NOISE SOURCE	:DIAGnostic:SERvice:NSOURce ON   OFF
REFERENCE ADJUST	--
REFERENCE	:[SENSe<1 2>:]ROSCillator:[INTernal:]TUNE <num_value>
REFERENCE PROG	:[SENSe<1 2>:]ROSCillator:[INTernal:]TUNE:SAVe
SERVICE FUNCTION	:DIAGnostic:SERvice:FUNCTion <num_value>,<num_value>...
ENTER PASSWORD	:SYSTem:PASSword[:CENable] <string>
GENERAL SETUP	--
GPIB ADDRESS	:SYSTem:COMMunicate:GPIB[:SELF]:ADDRess 0...30
USER PORT A/B	:INPut<1 2>:UPOrt<1 2>[:VALue]? :INPut<1 2>:UPOrt<1 2>:STATe ON   OFF :OUTPut<1 2>:UPOrt<1 2>:STATe ON   OFF :OUTPut<1 2>:UPOrt<1 2>[:VALue] <Binary>

COM PORT 1 / 2	<pre>:SYSTem:COMMunicate:SERial&lt;1 2&gt;:CONTRol:DTR    IBFull   OFF :SYSTem:COMMunicate:SERial&lt;1 2&gt;:CONTRol:RTS    IBFull   OFF :SYSTem:COMMunicate:SERial&lt;1 2&gt;[:RECeive]:BAUD    &lt;num_value&gt; :SYSTem:COMMunicate:SERial&lt;1 2&gt;[:RECeive]:BITS    7   8 :SYSTem:COMMunicate:SERial&lt;1 2&gt;[:RECeive]:PARity[:TYPE]  EVEN ODD NONE :SYSTem:COMMunicate:SERial&lt;1 2&gt;[:RECeive]:SBITs    1 2 :SYSTem:COMMunicate:SERial&lt;1 2&gt;[:RECeive]:PACE    XON   NONE</pre>
TIME	<pre>:SYSTem:TIME    0...23, 0...59, 0...59</pre>
DATE	<pre>:SYSTem:DATE    &lt;num&gt;, &lt;num&gt;, &lt;num&gt;</pre>
MOUSE	no corresponding IEC/IEEE-bus command (not FSE with Windows NT)
EXTERNAL KEYBOARD	no corresponding IEC/IEEE-bus command (not FSE with Windows NT)
MONITOR CONNECTED	no corresponding IEC/IEEE-bus command ( FSE with Windows NT only)
KEY CLICK ON/OFF	no corresponding IEC/IEEE-bus command
FIRMWARE UPDATE	no corresponding IEC/IEEE-bus command

**STATUS Key Group**

LOCAL	Device message "Go to LOCAL (GTL)"
-------	------------------------------------

### HARDCOPY Key Group

START	:HCOPY[:IMMEDIATE<1 2>]
SETTINGS	
COPY SCREEN	:HCOPY:ITEM:ALL
COPY TRACE	:HCOPY:ITEM:WINDOW<1 2>:TRACE:STATE ON   OFF
COPY TABLE	:HCOPY:ITEM:WINDOW<1 2>:TABLE:STATE ON   OFF
SELECT QUADRANT	--
UPPER LEFT	:HCOPY:PAGE:DIMENSIONS:QUADRANT 1
LOWER LEFT	:HCOPY:PAGE:DIMENSIONS:QUADRANT 2
UPPER RIGHT	:HCOPY:PAGE:DIMENSIONS:QUADRANT 3
LOWER RIGHT	:HCOPY:PAGE:DIMENSIONS:QUADRANT 4
FULL PAGE	:HCOPY:PAGE:DIMENSIONS:FULL
ENTER TEXT	--
COMMENT SCREEN A/B	:HCOPY:ITEM:WINDOW<1 2>:TEXT <string>
TITLE	:HCOPY:ITEM:LABEL:TEXT <string>
HARDCOPY DEVICE	:HCOPY:DEVICE:LANGUAGE WMF EMMF   BMP   GDI (FSE with Windows NT) :HCOPY:DEVICE:LANGUAGE HPGL   PCL4   PCL5   POSTscript   ESCP   WMF   PCX   HP7470   EPSON24   EPSON24C   PCL4_C   PCL4_C3   LASERJ   DESKJ   DESKJ_C   DESKJ_C3   HPGL_LS   HP7470LS (FSE with DOS or without controller)
SETTINGS DEVICE 1/2	:HCOPY:DESTINATION<1 2> <string> :MMEMORY:NAME <file_name> :HCOPY:ITEM:FFEEED<1 2>:STATE ON   OFF :HCOPY:PAGE:ORIENTATION<1 2> LANDSCAPE   PORTRAIT :HCOPY:DEVICE:PRESET<1 2> ON   OFF (FSE with DOS or without controller) :HCOPY:DEVICE:RESOLUTION<1 2> 150   300 (FSE with DOS or without controller)
ENABLE DEV1/DEV2	the numeric suffix after HCOpy:IMMEDIATE denotes the first or second device.
COLOR ON/OFF	:HCOPY:DEVICE:COLOR ON   OFF
TRC COLOR AUTO INC	:HCOPY:ITEM:WINDOW<1 2>:TRACE:CAINCREMENT ON   OFF

## MEMORY Key Group

<b>CONFIG</b>	
EDIT PATH	:MMEMory:MSIS <device> :MMEMory:CDIRectory <directory_name>
DELETE	:MMEMory:DELeTe <file_name> :MMEMory:RDIRectory <directory_name>
FORMAT DISK	:MMEMory:INITialize <msus>
MAKE DIRECTORY	:MMEMory:MDIRectory <directory_name>
RENAME	:MMEMory:MOVE <file_source>,<file_destination>
SORT MODE	no corresponding IEC/IEEE-bus command
COPY	:MMEMory:COpy <file_source>,<file_destination>
<b>SAVE</b>	
EDIT NAME	:MMEMory:STORe:STATe 1,<file_name>
EDIT PATH	the path is included in the file name.
EDIT COMMENT	:MMEMory:COMMeNt <string>
SELECT ITEMS TO SAVE	--
SELECT ITEMS	:MMEMory:SElect[:ITEM]:GSETup ON   OFF :MMEMory:SElect[:ITEM]:HWSettings ON   OFF :MMEMory:SElect[:ITEM]:TRACe<1..4> ON   OFF :MMEMory:SElect[:ITEM]:LINES[:ACTiVe] ON   OFF :MMEMory:SElect[:ITEM]:LINES:ALL ON   OFF :MMEMory:SElect[:ITEM]:CSETup ON   OFF :MMEMory:SElect[:ITEM]:HCOpy ON   OFF :MMEMory:SElect[:ITEM]:MACRos ON   OFF :MMEMory:SElect[:ITEM]:SCData ON   OFF :MMEMory:SElect[:ITEM]:TRANsducer[:ACTiVe] ON   OFF :MMEMory:SElect[:ITEM]:TRANsducer:ALL ON   OFF :MMEMory:SElect[:ITEM]:CVL[:ACTiVe] ON   OFF :MMEMory:SElect[:ITEM]:CVL:ALL ON   OFF
ENABLE ALL ITEMS	:MMEMory:SElect[:ITEM]:ALL
DISABLE ALL ITEMS	:MMEMory:SElect[:ITEM]:NONE
DEFAULT CONFIG	:MMEMory:SElect[:ITEM]:DEFault
DATA SET LIST	--

DATA SET CLEAR	:MMEMemory:CLEAr:STATe 1,<file_name>
DATA SET CLEAR ALL	:MMEMemory:CLEAr:ALL
<b>RECALL</b>	
EDIT NAME	:MMEMemory:LOAD:STATe 1,<file_name>
EDIT PATH	the path is included in the file name.
AUTO RECALL	:MMEMemory:LOAD:AUTO 1,<file_name>
SELECT ITEMS TO RECALL	--
SELECT ITEMS	<pre>:MMEMemory:SElect[:ITEM]:GSETup ON   OFF :MMEMemory:SElect[:ITEM]:HWSettings ON   OFF :MMEMemory:SElect[:ITEM]:TRACe&lt;1...4&gt; ON   OFF :MMEMemory:SElect[:ITEM]:LINES[:ACTiVe] ON   OFF :MMEMemory:SElect[:ITEM]:LINES:ALL ON   OFF :MMEMemory:SElect[:ITEM]:CSETup ON   OFF :MMEMemory:SElect[:ITEM]:HCOPy ON   OFF :MMEMemory:SElect[:ITEM]:CDATa ON   OFF :MMEMemory:SElect[:ITEM]:MACROs ON   OFF :MMEMemory:SElect[:ITEM]:SCData ON   OFF :MMEMemory:SElect[:ITEM]:TRANSDUCER[:ACTiVe] ON   OFF :MMEMemory:SElect[:ITEM]:TRANSDUCER:ALL ON   OFF :MMEMemory:SElect[:ITEM]:CVL[:ACTiVe] ON   OFF :MMEMemory:SElect[:ITEM]:CVL:ALL ON   OFF</pre>
ENABLE ALL ITEMS	:MMEMemory:SElect[:ITEM]:ALL
DISABLE ALL ITEMS	:MMEMemory:SElect[:ITEM]:NONE
DEFAULT CONFIG	:MMEMemory:SElect[:ITEM]:DEFault
DATA SET LIST	--
DATA SET CLEAR	:MMEMemory:CLEAr:STATe 1,<file_name>
DATA SET CLEAR ALL	:MMEMemory:CLEAr:ALL

**USER Key**

<b>USER</b>	
MACRO 1...7	no corresponding IEC/IEEE-bus command
DEFINE MACRO	no corresponding IEC/IEEE-bus command
RECORD ON/OFF	no corresponding IEC/IEEE-bus command
DEFINE PAUSE	no corresponding IEC/IEEE-bus command
DELETE MACRO	no corresponding IEC/IEEE-bus command
MACRO TITLE	no corresponding IEC/IEEE-bus command
SELECT MACRO	no corresponding IEC/IEEE-bus command

## Operating Mode Vector-Signal Analyzer (Option FSE-B7)

### CONFIGURATION Key Group - Digital Demodulation

MODE	--
VECTOR ANALYZER	--
DIGITAL STANDARD	
PWT WCFE	:[SENSe<1 2>:]DDEMod:PRESet PWT
IS-95 CDMA FWD CH	:[SENSe<1 2>:]DDEMod:PRESet F95Cdma   FQCDma
IS-95 CDMA REV CH	:[SENSe<1 2>:]DDEMod:PRESet R95Cdma   RQCDma
APCO25 C4FM	:[SENSe<1 2>:]DDEMod:PRESet APCO25C4FM
APCO25 CQPSK	:[SENSe<1 2>:]DDEMod:PRESet APCO25CQPSK
NADC REV CH	:[SENSe<1 2>:]DDEMod:PRESet RNADc
PDC UP	:[SENSe<1 2>:]DDEMod:PRESet PDCup
TFTS	:[SENSe<1 2>:]DDEMod:PRESet TFTS
GSM	:[SENSe<1 2>:]DDEMod:PRESet GSM   DCS1800   PCS1900
EDGE	:[SENSe<1 2>:]DDEMod:PRESet EDGE
NADC FWD CH	:[SENSe<1 2>:]DDEMod:PRESet FNADc
CDPD	:[SENSe<1 2>:]DDEMod:PRESet CDPD
DECT	:[SENSe<1 2>:]DDEMod:PRESet DECT
CT2	:[SENSe<1 2>:]DDEMod:PRESet CT2
PDC DOWN	:[SENSe<1 2>:]DDEMod:PRESet PDCDown
PHS	:[SENSe<1 2>:]DDEMod:PRESet PHS
TETRA	:[SENSe<1 2>:]DDEMod:PRESet TETRa
ERMES	:[SENSe<1 2>:]DDEMod:PRESet ERMes

MODACOM	: [SENSe<1 2>:]DDEMod:PRESet MODacom
FLEX16_2	: [SENSe<1 2>:]DDEMod:PRESet F16
FLEX32_2	: [SENSe<1 2>:]DDEMod:PRESet F322
FLEX32_4	: [SENSe<1 2>:]DDEMod:PRESet F324
FLEX64_4	: [SENSe<1 2>:]DDEMod:PRESet F64
DIGITAL DEMODO	<pre> ::INSTRument[:SElect] DDEMod :[SENSe&lt;1 2&gt;:]DDEMod:FORMat QPSK   PSK   MSK  QAM   FSK :[SENSe&lt;1 2&gt;:]DDEMod:QPSK:FORMat NORMal   DIFFerential   OFFSet   DPI4 :[SENSe&lt;1 2&gt;:]DDEMod:PSK:NState 2   8 :[SENSe&lt;1 2&gt;:]DDEMod:PSK:FORMat NORMal   DIFFerential   N3Pi8 :[SENSe&lt;1 2&gt;:]DDEMod:MSK:FORMat TYPE1   TYPE2   NORMal   DIFFerential :[SENSe&lt;1 2&gt;:]DDEMod:QAM:NState 16 :[SENSe&lt;1 2&gt;:]DDEMod:FSK:NState 2   4 </pre> <p>Querying the results:</p> <pre> :CALCulate&lt;1 2&gt;:MARKer&lt;1 2&gt;:FUNCTION:DDEMod:RESult? MERM  MEPK  MEPS  PERM  PEPK  PEPS  EVRM  EVPK  EVPS  IQOF  IQIM  ADR  FERR  DEV  FSRM  FSPK  FSPS  RHO  FEPK :CALCulate&lt;1 2&gt;:MARKer&lt;1 2&gt;:FUNCTION:Y? :TRACe:DATA? </pre>
MODULATION PARAMETERS	--
SYMBOL RATE	: [SENSe<1 2>:]DDEMod:SRATE <num_value>
SIDE BAND NORM INV	: [SENSe<1 2>:]DDEMod:SBAND NORMal INVerse
MEAS FILTER	<pre> :[SENSe&lt;1 2&gt;:]DDEMod:FILTer:MEASurement OFF   RCOSine   RRCosine   GAUSSian   B22   B25   B44   QFM FM95   QFR FR95   QRM RM95   QRR RR95   A25Fm   EMES   EREF </pre>
REFERENCE FILTER	<pre> :[SENSe&lt;1 2&gt;:]DDEMod:FILTer:REFerence RCOSine   RRCosine   GAUSSian   B22   B25   B44   QFM FM95   QFR FR95   QRM RM95   QRR RR95   A25Fm   EMES   EREF </pre>
ALPHA/BT	: [SENSe<1 2>:]DDEMod:FILTer:ALPha <num_value>
FSK REF DEVIATION	: CALCulate<1 2>:FSK:DEVIation:REFerence <num_value>
NORMALIZE ON / OFF	: [SENSe<1 2>:]DDEMod:NORMalize ON   OFF
MEAS RESULT	--
MAGNITUDE CAP BUFFER	: CALCulate<1 2>:FEED `TCAP`
MEAS SIGNAL	<pre> :CALCulate&lt;1 2&gt;:FEED `XTIM:DDEM:MEAS` </pre> <p>Querying the results:</p> <pre> :CALCulate&lt;1 2&gt;:MARKer&lt;1 2&gt;:FUNCTION:DDEMod:RESult? MERM  MEPK  MEPS  PERM  PEPK  PEPS  EVRM  EVPK  EVPS  IQOF  IQIM  ADR  FERR  DEV  FSRM  FSPK  FSPS  RHO  FEPK </pre> <p>The following commands select the display mode:</p>
MAGNITUDE	: CALCulate<1 2>:FORMat MAGNitude

PHASE	:CALCulate<1 2>:FORMat PHASe
FREQUENCY	:CALCulate<1 2>:FORMat FREQuency
REAL/IMAG PART	:CALCulate<1 2>:FORMat RIMag
EYE DIAG [FREQ]	:CALCulate<1 2>:FORMat FEYE
EYE DIAG [I]	:CALCulate<1 2>:FORMat IEYE
EYE DIAG [Q]	:CALCulate<1 2>:FORMat QEYE
EYE DIAG TRELLIS	:CALCulate<1 2>:FORMat TEYE
POLAR [IQ] VECTOR	:CALCulate<1 2>:FORMat COMP
POLAR [IQ] CONSTELL	:CALCulate<1 2>:FORMat CONS
SYMBOL DISPLAY	:DISPlay[:WINDow<1 2>]:TRACe<1...4>:SYMBol DOTS   BARS  OFF
PHASE WRAP ON/OFF	:CALCulate<1 2>:FORMat PHASe   UPHase
EYE LENGTH	:DISPlay[:WINDow<1 2>]:TRACe<1...4>:EYE:COUNT <num_value>
REFERENCE SIGNAL	:CALCulate<1 2>:FEED `XTIM:DDEM:REF` <b>Querying the results:</b> :CALCulate<1 2>:MARKer<1 2>:FUNctIon:DDEMod:RESult? MERM  MEPK  MEPS  PERM  PEPK  PEPS  EVRM  EVPK  EVPS  IQOF  IQIM  ADR  FERR  DEV  FSRM  FSPK  FSPS  RHO  FEPK

The following commands select the display mode:

MAGNITUDE	:CALCulate<1 2>:FORMat MAGNitude
PHASE	:CALCulate<1 2>:FORMat PHASe
FREQUENCY	:CALCulate<1 2>:FORMat FREQuency
REAL/IMAG PART	:CALCulate<1 2>:FORMat RIMag
EYE DIAG [FREQ]	:CALCulate<1 2>:FORMat FEYE
EYE DIAG [I]	:CALCulate<1 2>:FORMat IEYE
EYE DIAG [Q]	:CALCulate<1 2>:FORMat QEYE
EYE DIAG TRELLIS	:CALCulate<1 2>:FORMat TEYE
POLAR [IQ] VECTOR	:CALCulate<1 2>:FORMat COMP
POLAR [IQ] CONSTELL	:CALCulate<1 2>:FORMat CONS

SYMBOL DISPLAY	:DISPlay[:WINDow<1 2>]:TRACe<1...4>:SYMBol DOTS   BARS  OFF
PHASE WRAP ON/OFF	:CALCulate<1 2>:FORMat PHASe   UPHase
EYE LENGTH	:DISPlay[:WINDow<1 2>]:TRACe<1...4>:EYE:COUNT <num_value>
ERROR SIGNAL	:CALCulate<1 2>:FEED `XTIM:DDEM:ERR:MPH` (Querying the results) :CALCulate<1 2>:MARKer<1 2>:FUNCTION:DDEMod:RESult? MERM  MEPK  MEPS  PERM  PEPK  PEPS  EVRM  EVPK  EVPS  IQOF  IQIM  ADR  FERR  DEV  FSRM  FSPK  FSPS  RHO  FEPK

The following commands select the display mode:

MAGNITUDE	:CALCulate<1 2>:FORMat MAGNitude
PHASE	:CALCulate<1 2>:FORMat PHASe
FREQUENCY	:CALCulate<1 2>:FORMat FREQuency
REAL/IMAG PART	:CALCulate<1 2>:FORMat RIMag
ERROR VECT MAGNITUDE	:CALCulate<1 2>:FORMat MAGNitude :CALCulate<1 2>:FEED `XTIM:DDEM:ERR:VECT`
POLAR [IQ] VECTOR	:CALCulate<1 2>:FORMat COMP :CALCulate<1 2>:FEED `XTIM:DDEM:ERR:VECT`
POLAR [IQ] CONSTELL	:CALCulate<1 2>:FORMat CONS :CALCulate<1 2>:FEED `XTIM:DDEM:ERR:VECT`
SYMBOL DISPLAY	:DISPlay[:WINDow<1 2>]:TRACe<1...4>:SYMBol DOTS   BARS   OFF
SYMB TABLE / ERRORS	:CALCulate<1 2>:FEED `XTIM:DDEM:SYMB`
MEMORY SIZE	:[SENSe<1 2>]:TCApTure:LENGth 1024   2048   4096   8192   16384
FRAME LENGTH	:[SENSe<1 2>]:DDEMod:SEARch:TIME <num_value>
RESULT LENGTH	:[SENSe<1 2>]:DDEMod:TIME <num_value>
POINTS PER SYMBOL	:[SENSe<1 2>]:DDEMod:PRATe 1  2  4  8  16
TRIGGER	see section "SWEEP - TRIGGER"
RANGE	see section "LEVEL - RANGE"
IF BANDWIDTH	--
IF BW AUTO	:[SENSe<1 2>]:BANDwidth BWIth:RESolution:AUTO ON   OFF
IF BW MANUAL	:[SENSe<1 2>]:BANDwidth BWIth:RESolution <num_value>

CONFIGURATION Key Group - Analog Demodulation

MODE	--
VECTOR ANALYZER	--
ANALOG DEMOD	::INSTRument<1 2>[:SElect] ADEMod
MODULATION PARAMETER	--
HIGH PASS AF FILTER	SENSe<1 2>:FILTer:HPASs[:STATe] ON   OFF SENSe<1 2>:FILTer:HPASs:FREQuency <num_value>
LOW PASS AF FILTER	SENSe<1 2>:FILTer[:LPASs][:STATe] ON   OFF SENSe<1 2>:FILTer[:LPASs]:FREQuency <num_value>
WEIGHTING AF FILTER	SENSe<1 2>:FILTer:CCITt[:STATe] ON   OFF SENSe<1 2>:FILTer:CMESsage[:STATe] ON   OFF
AF COUPL'G AC DC	SENSe<1 2>:ADEMod:AF:COUPling AC DC
SQUELCH ON OFF	SENSe<1 2>:ADEMod:SQUelch[:STATe] ON   OFF
SQUELCH LEVEL	SENSe<1 2>:ADEMod:SQUelch:LEVel <num_value>
SIDE BAND NORM INV	SENSe<1 2>:ADEMod:SBANd NORMal INVerse
AM/FM DEEMPH	SENSe<1 2>:FILTer:DEMPHasis:TCONstant <num_value>
PRE DISPL ON OFF	SENSe<1 2>:FILTer:DEMPHasis:LINK DISPlay AUDio
MEAS RESULT	--
AM SIGNAL	:CALCulate<1 2>:FEED `XTIM:AM`
FM SIGNAL	:CALCulate<1 2>:FEED `XTIM:FM`
PM SIGNAL	:CALCulate<1 2>:FEED `XTIM:PM`
MODULATION SUMMARY	:CALCulate<1 2>:FEED `XTIM:AMSummary` :CALCulate<1 2>:FEED `XTIM:FMSummary` :CALCulate<1 2>:FEED `XTIM:PMSummary` :CALCulate<1 2>:MARKer<1...4>:FUNction:ADEMod:AM[:RESult?] PPEak   MPEak   MIDDLE   RMS :CALCulate<1 2>:MARKer<1...4>:FUNction:ADEMod:FM[:RESult?] PPEak   MPEak   MIDDLE   RMS   RDEV :CALCulate<1 2>:MARKer<1...4>:FUNction:ADEMod:PM[:RESult?] PPEak   MPEak   MIDDLE   RMS :CALCulate<1 2>:MARKer<1...4>:FUNction:ADEMod:AFREquency[:RESult?] :CALCulate<1 2>:MARKer<1...4>:FUNction:ADEMod:FERRor [:RESult?] :CALCulate<1 2>:MARKer<1...4>:FUNction:ADEMod:SINad:RESult? :CALCulate<1 2>:MARKer<1...4>:FUNction:ADEMod:CARRIER[:RESult?]
SUMMARY SETTINGS	--

AVERAGE HOLD ON	SENSE<1 2>:MSUMmary:AHOLD[:STATE] ON   OFF
SWEEP COUNT	SENSE<1 2>:SWEep:COUNT <num_value>
RELUNIT DB %	SENSE<1 2>:MSUMmary:RUNit PCT   DB
INDICATION ABS REL	SENSE<1 2>:MSUMmary:MODE ABSolute   RELative
SET REFERENCE	SENSE<1 2>:MSUMmary:REFerence <num_value>
MEAS-> REF	SENSE<1 2>:MSUMmary:REFerence:AUTO ONCe
SINAD 1kHz ON OFF	:CALCulate<1 2>:MARKer<1...4>:FUNction:ADEMod:SINad[:STATE] :CALCulate<1 2>:MARKer<1...4>:FUNction:ADEMod:SINad:RESult?
SUMMARY MEAS TIME	SENSE<1 2>:MSUMmary:MTIME <num_value>
REAL TIME ON OFF	SENSE<1 2>:ADEMod:RTIME[:STATE] ON   OFF
SENSITIV AF OUTPUT	:OUTPut<1 2>:AF:SENSitivity <num_value>
VOLUME	:SYSTem:SPEaker<1 2>:VOLume <num_value>
DEMODO BANDWIDTH	SENSE<1 2>:BANDwidth BWIDTH:DEMod <num_value>
DEEMPHASIS ON OFF	SENSE<1 2>:FILTer:DEMPHasis[:STATE] ON   OFF

**FREQUENCY Key Group**

<b>CENTER</b>	:[SENSE<1 2>:]FREQuency:CENTer <num_value>
CENTER FREQUENCY	:[SENSE<1 2>:]FREQuency:CENTer <num_value>
FREQUENCY OFFSET	:[SENSE<1 2>:]FREQuency:OFFSet <num_value>

**LEVEL Key Group**

<b>REF</b>	--
REF LEVEL	:DISPlay[:WINDow<1 2>]:TRACe<1...4>:Y[:SCALe]:RLEVEL <num_value>
REF LEVEL OFFSET	:DISPlay[:WINDow<1 2>]:TRACe<1...4>:Y[:SCALe]:RLEVEL:OFFSet <num_value>
RF ATTEN MANUAL	:INPut<1 2>:ATTenuation <num_value>
ATTEN AUTO NORMAL	:INPut<1 2>:ATTenuation:AUTO:MODE NORMAL; :INPut<1 2>:ATTenuation:AUTO ON
ATTEN AUTO LOW NOISE	:INPut<1 2>:ATTenuation:AUTO:MODE LNoise; :INPut<1 2>:ATTenuation:AUTO ON
ATTEN AUTO LOW DIST	:INPut<1 2>:ATTenuation:AUTO:MODE LDISTortion; :INPut<1 2>:ATTenuation:AUTO ON
MIXER LEVEL	:INPut<1 2>:MIXer <num_value>
<b>RANGE</b>	--
Y PER DIV	:DISPlay[:WINDow<1 2>]:TRACe<1...4>:Y[:SCALe]:PDIVision <num_value>
REF VALUE Y AXIS	:DISPlay[:WINDow<1 2>]:TRACe<1...4>:Y[:SCALe]:RVALue <num_value>
REF VALUE X AXIS	:DISPlay[:WINDow<1 2>]:TRACe<1...4>:X[:SCALe]:RVALue <num_value>
REF VALUE POSITION	:DISPlay[:WINDow<1 2>]:TRACe<1...4>:Y[:SCALe]:RPOSITION 0..100PCT
SCALE UNIT	--
Y UNIT LOG[dB]	:CALCulate<1 2>:UNIT:POWer DB
Y UNIT LINEAR	:CALCulate<1 2>:UNIT:POWer UNITless
Y UNIT DEG	:CALCulate<1 2>:UNIT:ANGLE DEG
Y UNIT RAD	:CALCulate<1 2>:UNIT:ANGLE RAD
Y UNIT DBM	:CALCulate<1 2>:UNIT:POWer DBM
Y UNIT VOLT	:CALCulate<1 2>:UNIT:POWer VOLT
Y UNIT WATT	:CALCulate<1 2>:UNIT:POWer WATT
X UNIT TIME	:CALCulate<1 2>:X:UNIT:TIME S
X UNIT SYMBOL	:CALCulate<1 2>:X:UNIT:TIME SYMB
SENSITIV AF OUTPUT	:OUTPut<1 2>:AF:SENSitivity <num_value>
VOLUME	:SYSTem:SPEaker:VOLume <num_value>

## INPUT Key

INPUT	
RF ATTEN MANUAL	:INPut<1 2>:ATTenuation <num_value>
ATTEN AUTO NORMAL	:INPut<1 2>:ATTenuation:AUTO:MODE NORMAl; :INPut<1 2>:ATTenuation:AUTO ON
ATTEN AUTO LOW NOISE	:INPut<1 2>:ATTenuation:AUTO:MODE LNOise; :INPut<1 2>:ATTenuation:AUTO ON
ATTEN AUTO LOW DIST	:INPut<1 2>:ATTenuation:AUTO:MODE LDISTortion; :INPut<1 2>:ATTenuation:AUTO ON
MIXER LEVEL	:INPut<1 2>:MIXer <num_value>
ATTEN STEP 1dB 10 dB	:INPut<1 2>:ATTenuation:STEPsize 1dB   10dB (with option FSE-B13 only)
INPUT SELECT	--
RF INPUT 50 OHM	:INPut<1 2>:IMPedance 50
RF INPUT 75 OHM/RAM	:INPut<1 2>:IMPedance:CORRection RAM
RF INPUT 75OHM/RAZ	:INPut<1 2>:IMPedance:CORRection RAZ

## MARKER Key Group

NORMAL	
MARKER 1..2	:CALCulate<1 2>:MARKer<1 2>[:STATE] ON   OFF; :CALCulate<1 2>:MARKer<1 2>:X <num_value>; :CALCulate<1 2>:MARKer<1 2>:Y?
POLAR MARKER R/I / MA/PH	:CALCulate<1 2>:MARKer<1 2>::READout MPHase   RIMaginary
POLAR MARKER DEG/ RAD	:CALCulate<1 2>:UNIT:ANGLE DEG   RAD
COUPLED MARKER	:CALCulate<1 2>:MARKer<1 2>:COUPled[:STATE] ON   OFF
MARKER INFO	DISPlay:WINDow<1 2>:MINfo ON   OFF (screen display)
ALL MARKER OFF	:CALCulate<1 2>:MARKer<1 2>:AOFF

<b>DELTA</b>	
DELTA 1/2	:CALCulate<1 2>:DELTaMarker<1 2>[:STATE] ON   OFF :CALCulate<1 2>:DELTaMarker<1 2>:X <num_value> :CALCulate<1 2>:DELTaMarker<1 2>:Y?
DELTA MKR ABS / REL	:CALCulate<1 2>:DELTaMarker<1 2>:MODE ABSolute   RELative
ALL DELTA OFF	:CALCulate<1 2>:DELTaMarker<1 2>:AOFF
<b>MARKER SEARCH</b>	
PEAK	:CALCulate<1 2>:MARKer<1 2>:MAXimum[:PEAK] :CALCulate<1 2>:DELTaMarker<1 2>:MAXimum[:PEAK]
ACTIVE MKR / DELTA	--
MIN	:CALCulate<1 2>:MARKer<1 2>:MINimum[:PEAK] :CALCulate<1 2>:DELTaMarker<1 2>:MINimum[:PEAK]
MAX  PEAK	:CALCulate<1 2>:MARKer<1 2>:MAXimum:APEak :CALCulate<1 2>:DELTaMarker<1 2>:MAXimum:APEak
SUMMARY ON OFF	:CALCulate<1 2>:MARKer<1 2>:FUNCTION:SUMMARY[:STATE] ON   OFF
SUMMARY MARKER	--
MAX  PEAK	:CALCulate<1 2>:MARKer<1 2>:FUNCTION:SUMMARY:MAXimum[:STATE] ON   OFF :CALCulate<1 2>:MARKer<1 2>:FUNCTION:SUMMARY:MAXimum:RESULT? :CALCulate<1 2>:MARKer<1 2>:FUNCTION:SUMMARY:MAXimum:AVERAGE:RESULT? :CALCulate<1 2>:MARKer<1 2>:FUNCTION:SUMMARY:MAXimum:PHOLD:RESULT?
+PEAK	:CALCulate<1 2>:MARKer<1 2>:FUNCTION:SUMMARY:PPEak[:STATE] ON   OFF :CALCulate<1 2>:MARKer<1 2>:FUNCTION:SUMMARY:PPEak:RESULT? :CALCulate<1 2>:MARKer<1 2>:FUNCTION:SUMMARY:PPEak:AVERAGE:RESULT? :CALCulate<1 2>:MARKer<1 2>:FUNCTION:SUMMARY:PPEak:PHOLD:RESULT?
-PEAK	:CALCulate<1 2>:MARKer<1 2>:FUNCTION:SUMMARY:MPEak[:STATE] ON   OFF :CALCulate<1 2>:MARKer<1 2>:FUNCTION:SUMMARY:MPEak:RESULT? :CALCulate<1 2>:MARKer<1 2>:FUNCTION:SUMMARY:MPEak:AVERAGE:RESULT? :CALCulate<1 2>:MARKer<1 2>:FUNCTION:SUMMARY:MPEak:PHOLD:RESULT?
±PEAK/2	:CALCulate<1 2>:MARKer<1 2>:FUNCTION:SUMMARY:MIDDLE[:STATE] ON   OFF :CALCulate<1 2>:MARKer<1 2>:FUNCTION:SUMMARY:MIDDLE:RESULT? :CALCulate<1 2>:MARKer<1 2>:FUNCTION:SUMMARY:MIDDLE:AVERAGE:RESULT? :CALCulate<1 2>:MARKer<1 2>:FUNCTION:SUMMARY:MIDDLE:PHOLD:RESULT?
RMS	:CALCulate<1 2>:MARKer<1 2>:FUNCTION:SUMMARY:RMS[:STATE] ON   OFF :CALCulate<1 2>:MARKer<1 2>:FUNCTION:SUMMARY:RMS:RESULT? :CALCulate<1 2>:MARKer<1 2>:FUNCTION:SUMMARY:RMS:AVERAGE:RESULT? :CALCulate<1 2>:MARKer<1 2>:FUNCTION:SUMMARY:RMS:PHOLD:RESULT?
MEAN	:CALCulate<1 2>:MARKer<1 2>:FUNCTION:SUMMARY:MEAN[:STATE] ON   OFF :CALCulate<1 2>:MARKer<1 2>:FUNCTION:SUMMARY:MEAN:RESULT? :CALCulate<1 2>:MARKer<1 2>:FUNCTION:SUMMARY:MEAN:AVERAGE:RESULT? :CALCulate<1 2>:MARKer<1 2>:FUNCTION:SUMMARY:MEAN:PHOLD:RESULT?
PEAK HOLD ON / OFF	:CALCulate<1 2>:MARKer<1 2>:FUNCTION:SUMMARY:PHOLD ON   OFF
AVERAGE/HOLD ON / OFF	:CALCulate<1 2>:MARKer<1 2>:FUNCTION:SUMMARY:AVERAGE ON   OFF

SWEEP COUNT	:[SENSe<1 2>:]SWEep:COUNT <num_value>
ALL SUM MKR OFF	:CALCulate<1 2>:MARKer<1 2>:FUNction:SUMMary:AOff
SEARCH LIMIT ON/OFF	:CALCulate<1 2>:MARKer<1 2>:X:SLIMits[:STATe] ON   OFF
SELECT MARKER	--
<b>MKR -&gt;</b>	
PEAK	:CALCulate<1 2>:MARKer<1 2>:MAXimum[:PEAK] :CALCulate<1 2>:DELTAmarker<1 2>:MAXimum[:PEAK]
MKR → TRACE	:CALCulate<1 2>:MARKer<1 2>:TRACe <num_value>
SELECT MARKER	--
ACTIVE MKR / DELTA	no corresponding IEC/IEEE-bus command

### LINES Key Group

<b>D LINES</b>	--
DISPLAY LINE 1/2	:CALCulate<1 2>:DLINe<1 2>:STATe ON   OFF; :CALCulate<1 2>:DLINe<1 2> <num_value>
REFERENCE LINE	:CALCulate<1 2>:RLINe:STATe ON   OFF; :CALCulate<1 2>:RLINe <num_value>
THRESHOLD LINE	:CALCulate<1 2>:THReshold ON   OFF; :CALCulate<1 2>:THReshold <num_value>
TIME/SYMB 1/2	:CALCulate<1 2>:TLINe<1 2>:STATe ON   OFF; :CALCulate<1 2>:TLINe<1 2> <num_value>
<b>LIMITS</b>	
SELECT LIMIT LINE	:CALCulate<1 2>:LIMit<1...8>:NAME <string>; :CALCulate<1 2>:LIMit<1...8>:STATe ON   OFF
NEW LIMIT LINE	see EDIT LIMIT LINE
NAME	:CALCulate<1 2>:LIMit<1...8>:NAME <string>
VALUES	no corresponding IEC/IEEE-bus command
INSERT VALUE	no corresponding IEC/IEEE-bus command
DELETE VALUE	no corresponding IEC/IEEE-bus command

SHIFT X LIMIT LINE	:CALCulate<1 2>:LIMit<1...8>:CONTRol:SHIFt <num_value>
SHIFT Y LIMIT LINE	:CALCulate<1 2>:LIMit<1...8>:UPPer:SHIFt <num_value> :CALCulate<1 2>:LIMit<1...8>:LOWer:SHIFt <num_value>
SAVE LIMIT LINE	automatically executed during IEC/IEEE-bus operation
EDIT LIMIT LINE	:CALCulate<1 2>:LIMit<1...8>:UNIT DB  DBM   RAD   DEG   PCT   HZ   S   VOLT   WATT   UNITless  :CALCulate<1 2>:LIMit<1...8>:TRACe <num_value> :CALCulate<1 2>:LIMit<1...8>:COMMeNt 'string' :CALCulate<1 2>:LIMit<1...8>:CONTRol[:DATA] <num_value>,<num_value>.. :CALCulate<1 2>:LIMit<1...8>:CONTRol:DOMain FREQuency TIME :CALCulate<1 2>:LIMit<1...8>:CONTRol:OFFset <num_value> :CALCulate<1 2>:LIMit<1...8>:CONTRol:MODE RELAtive   ABSolute :CALCulate<1 2>:LIMit<1...8>:CONTRol:UNIT[:TIME] S   SYM :CALCulate<1 2>:LIMit<1...8>:CONTRol:SPACing LINear   LOGarithmic :CALCulate<1 2>:LIMit<1...8>:UPPer[:DATA] <num_value>,<num_value>.. :CALCulate<1 2>:LIMit<1...8>:UPPer:STATe ON   OFF :CALCulate<1 2>:LIMit<1...8>:UPPer:OFFset <num_value> :CALCulate<1 2>:LIMit<1...8>:UPPer:MARGin <num_value> :CALCulate<1 2>:LIMit<1...8>:UPPer:MODE RELAtive   ABSolute :CALCulate<1 2>:LIMit<1...8>:UPPer:SPACing LINear   LOGarithmic :CALCulate<1 2>:LIMit<1...8>:LOWer[:DATA] <num_value>,<num_value>.. :CALCulate<1 2>:LIMit<1...8>:LOWer:STATe ON   OFF :CALCulate<1 2>:LIMit<1...8>:LOWer:OFFset <num_value> :CALCulate<1 2>:LIMit<1...8>:LOWer:MARGin <num_value> :CALCulate<1 2>:LIMit<1...8>:LOWer:MODE RELAtive   ABSolute :CALCulate<1 2>:LIMit<1...8>:LOWer:SPACing LINear   LOGarithmic :CALCulate<1 2>:LIMit<1...8>:FAIL? :CALCulate<1 2>:LIMit<1...8>:CLEAr[:IMMediate]
COPY LIMIT LINE	:CALCulate<1 2>:LIMit<1...8>:COPY 1...8   <name>
DELETE LIMIT LINE	:CALCulate<1 2>:LIMit<1...8>:DELeTe
X OFFSET	:CALCulate<1 2>:LIMit<1...8>:CONTRol:OFFset <num_value>
Y OFFSET	:CALCulate<1 2>:LIMit<1...8>:UPPer:OFFset <num_value> :CALCulate<1 2>:LIMit<1...8>:LOWer:OFFset <num_value>

### TRACE Key Group

TRACE	--
CLEAR/WRITE	:DISPlay[:WINDow<1 2>]:TRACe<1...4>:MODE WRITe
VIEW	:DISPlay[:WINDow<1 2>]:TRACe<1...4>:MODE VIEW
BLANK	:DISPlay[:WINDow<1 2>]:TRACe<1...4>[:STATe] OFF
CONTINUOUS WRITE	:DISPlay[:WINDow<1 2>]:TRACe<1...4>:MODE:CWRITe ON   OFF
AVERAGE	:DISPlay[:WINDow<1 2>]:TRACe<1...4>:MODE AVERAge or :[SENSe<1 2>:]AVERAge:MODE SCALe

MAX HOLD	:DISPlay[:WINDow<1 2>]:TRACe<1...4>:MODE MAXHold or :[SENSe<1 2>]:AVERAge:MODE MAX
MIN HOLD	:DISPlay[:WINDow<1 2>]:TRACe<1...4>:MODE MINHold or :[SENSe<1 2>]:AVERAge:MODE MIN
SWEEP COUNT	:[SENSe<1 2>]:SWEep:COUNT <num_value>

### SWEEP Key Group

<b>COUPLING</b>	--
IF BW AUTO	:[SENSe<1 2>]:BANDwidth BWIDth[:RESolution]:AUTO ON   OFF
IF BW MANUAL	:[SENSe<1 2>]:BANDwidth BWIDth[:RESolution] <num_value>
MAIN PLL BANDWIDTH	:[SENSe<1 2>]:BANDwidth BWIDth:PLL AUTO HIGH MEDIum LOW
<b>SWEEP</b>	
CONTINUOUS SWEEP	:INITiate<1 2>:CONTinuous ON; :INITiate<1 2>[:IMMediate]
SINGLE SWEEP	:INITiate<1 2>:CONTinuous OFF; :INITiate<1 2>[:IMMediate]
SWEEP COUNT	:[SENSe<1 2>]:SWEep:COUNT <num_value>
SWEEP TIME	:[SENSe<1 2>]:SWEep:TIME <num_value> (analog demodulation only)
RESULT LENGTH	:[SENSe<1 2>]:DDEMod:TIME <num_value> (digital demodulation only)

### TRIGGER Key Group - Digital Demodulation

<b>TRIGGER</b>	
FREE RUN	:TRIGger<1 2>[:SEquence]:SOURce IMMEDIATE
VIDEO	:TRIGger<1 2>[:SEquence]:SOURce VIDEo :TRIGger<1 2>[:SEquence]:LEVel:VIDEo <num_value>
EXTERN	:TRIGger<1 2>[:SEquence]:SOURce EXTErnal :TRIGger<1 2>[:SEquence]:LEVel:EXTErnal <num_value>
TRIGGER OFFSET	:TRIGger<1 2>[:SEquence]:HOLDoff <num_value>

SLOPE POS NEG	:TRIGger<1 2>[:SEquence]:SLOPe POSitive NEGative
MEAS ONLY IF SYNC'D	:[SENSe<1 2>:]DDEMod:SEARch:SYNC:MONLy ON   OFF
FIND BURST ON OFF	:[SENSe<1 2>:]DDEMod:SEARch:PULSe:STATe ON   OFF
FIND SYNC ON OFF	:[SENSe<1 2>:]DDEMod:SEARch:SYNC:STATe ON   OFF
SYNC OFFSET	:[SENSe<1 2>:]DDEMod:SEARch:SYNC:OFFSet <num_value>
SYNC PATTERN	--
SELECT PATTERN	:[SENSe<1 2>:]DDEMod:SEARch:SYNC:SElect <pattern_name>
NEW SYNC PATTERN	:[SENSe<1 2>:]DDEMod:SEARch:SYNC:PATtern <string>
NAME	:[SENSe<1 2>:]DDEMod:SEARch:SYNC:NAME <pattern_name>
COMMENT	:[SENSe<1 2>:]DDEMod:SEARch:SYNC:COMment <string>
VALUE	:[SENSe<1 2>:]DDEMod:SEARch:SYNC:DATA <string> :[SENSe<1 2>:]DDEMod:SEARch:SYNC:PATtern <string> (the pattern is set in the instrument and automatically saved under the name remote.pat)
SAVE PATTERN	automatically executed during IEC/IEEE-bus operation (see command :[SENSe<1 2>:]DDEMod:SEARch:SYNC:PATtern <string>)
EDIT SYNC PATTERN	:[SENSe<1 2>:]DDEMod:SEARch:SYNC:PATtern <string>
DELETE PATTERN	:[SENSe<1 2>:]DDEMod:SEARch:SYNC:DELete

### TRIGGER Key Group - Analog Demodulation

<b>TRIGGER</b>	
FREE RUN	:TRIGger<1 2>[:SEquence]:SOURce IMMEDIATE
VIDEO	:TRIGger<1 2>[:SEquence]:SOURce VIDEo :TRIGger<1 2>[:SEquence]:LEVel:VIDEo <num_value>
EXTERN	:TRIGger<1 2>[:SEquence]:SOURce EXTernal :TRIGger<1 2>[:SEquence]:LEVel[:EXTernal] -5.0...+5.0V
AF SIGNAL	:TRIGger<1 2>[:SEquence]:SOURce AF :TRIGger<1 2>[:SEquence]:LEVel:AF -120...+120PCT
SLOPE POS/NEG	:TRIGger<1 2>[:SEquence]:SLOPe POSitive NEGative
TRIGGER OFFSET	:TRIGger<1 2>[:SEquence]:HOLDoff <num_value>

## Operating Mode Tracking Generator (Option FSE-B8 to B11)

### CONFIGURATION Key Group

<b>MODE</b>	
<b>TRACKING GEN</b>	--
SOURCE ON/OFF	:OUTPut<1 2>[:STATe] ON   OFF
SOURCE POWER	SOURce:POWer[:LEVel][:IMMediate][:AMPLitude] <num_value>
POWER OFFSET	SOURce:POWer[:LEVel][:IMMediate]:OFFSet <num_value>
SOURCE CAL	--
CAL TRANS	:[SENSe<1 2>:]CORRection:METhod TRANsmission :[SENSe<1 2>:]CORRection:COLLect[:ACQuire] THRUgh
CAL REFL SHORT	:[SENSe<1 2>:]CORRection:METhod REFLeXion :[SENSe<1 2>:]CORRection:COLLect[:ACQuire] THRUgh
CAL REFL OPEN	:[SENSe<1 2>:]CORRection:METhod REFLeXion :[SENSe<1 2>:]CORRection:COLLect[:ACQuire] OPEN
NORMALIZE	:[SENSe<1 2>:]CORRection[:STATe] ON   OFF
REF VALUE POSITION	:DISPlay[:WINDow<1 2>]:TRACe<1...4>:Y[:SCALE]:RPOSITION 0...100PCT
REF VALUE	:DISPlay[:WINDow<1 2>]:TRACe<1...4>:Y[:SCALE]:RVALue <num_value>
RECALL	:[SENSe<1 2>:]CORRection:RECall
FREQUENCY OFFSET	SOURce:FREQuency:OFFSet <num_value>
MODULATION	--
EXT AM	SOURce:AM:STATe ON   OFF
EXT ALC	SOURce:POWer:ALC:SOURce INTernal   EXTernal
EXT FM	SOURce:FM:STATe ON   OFF
EXT I/Q	SOURce:DM:STATe ON   OFF

## Operating Mode TV Demodulation (Option FSE-B3)

### CONFIGURATION Key Group

<b>MODE</b>	
TV DEMOD	: [SENSe<1 2>:]TV[:STATE] ON   OFF
VIDEO POL NEGATIVE	: TRIGger<1 2>[:SEQuence]:VIDeo:SSIGnal:POLarity NEGative
VIDEO POL POSITIVE	: TRIGger<1 2>[:SEQuence]:VIDeo:SSIGnal:POLarity POSitive
625 LINE SYSTEM	: TRIGger<1 2>[:SEQuence]:VIDeo:FORMat:LPFRame 625
525 LINE SYSTEM	: TRIGger<1 2>[:SEQuence]:VIDeo:FORMat:LPFRame 525
PICT/SOUND OFFSET	: [SENSe<1 2>:]TV:PSOFFset <num_value>
TV DEMOD OFF	: [SENSe<1 2>:]TV[:STATE] ON   OFF

### SWEEP Key Group

<b>TRIGGER</b>	
TV	: TRIGger<1 2>[:SEQuence]:SOURce TV
TV TRIGGER SETTINGS	--
VERT SYNC	: TRIGger<1 2>[:SEQuence]:VIDeo:FIELD:SElect ALL
HOR SYNC	: TRIGger<1 2>[:SEQuence]:VIDeo:LINE:NUMBer <num_value>
VERT SYNC EVEN FIELD	: TRIGger<1 2>[:SEQuence]:VIDeo:FIELD:SElect EVEN
VERT SYNC ODD FIELD	: TRIGger<1 2>[:SEQuence]:VIDeo:FIELD:SElect ODD

## Operating Mode GSM BTS Analyzer (Option FSE-K11)

### CONFIGURATION Key Group

MODE	
GSM BTS ANALYZER	::INSTRument<1 2>[:SElect] BGSM
SETTINGS	--
EXTERNAL ATTEN	:[SENSe<1 2>:]CORRection:LOSS:INPut[:MAGNitude] <num_value>
ARFCN / FREQUENCY	--
ARFCN	CONFIgure[:BTS]:ARFCn <num_value>
ARFCN AUTOSELECT	CONFIgure[:BTS]:ARFCn:AUTO ONCE
FREQUENCY	SENSe<1 2>:FREQuency:CENTer <num_value>
POWER SETTINGS	--
EXTERNAL ATTEN	SENSe<1 2>:CORRection:LOSS:INPut[:MAGNitude] <num_value>
NOMINAL OUTPUT PWR	CONFIgure[:BTS]:POWer:EXPEcted <num_value>
POWER CLASS	CONFIgure[:BTS]:POWer:CLASs <num_value>   M1   M2   M3   P1
STATIC PWR CTRL LEVEL	CONFIgure[:BTS]:POWer:STATic <num_value>
DYNAM PWR CTRL LEVEL	CONFIgure[:BTS]:POWer:DYNamic <num_value>
STATION TYPE	CONFIgure[:BTS]:STYPe NORMAl   MICRo   PICO
LIMIT/PWR COUPLED	CONFIgure[:BTS]:POWer:COUPled ON   OFF
SIGNAL POWER	CONFIgure[:BTS]:POWer:EXPEcted <num_value>
LIMIT LINE REF POWER	CONFIgure[:BTS]:POWer:LIMit <num_value>
LIMIT MARGIN	:CALCulate<1 2>:LIMit<1...8>:MARGin <num_value>
SLOT NO.	--
SLOT NO.	CONFIgure[:BTS]:CHANnel:SLOT 0...7

SLOT NO. AUTOSELECT	CONFigure[:BTS]:CHANnel:SLOT:AUTO ONCE
MIDAMBLE	CONFigure[:BTS]:CHANnel:TSC 0...7 CONFigure[:BTS]:CHANnel:TSC:AUTO ON   OFF
TRIGGER	--
FREE RUN	:TRIGger<1 2>[:SEquence]:SOURce IMMEDIATE
EXTERN	:TRIGger<1 2>[:SEquence]:SOURce EXTERNAL :TRIGger<1 2>[:SEquence]:LEVel[:EXTERNAL] -5.0...+5.0V
SLOPE POS NEG	:TRIGger<1 2>[:SEquence]:SLOPe POSitive NEGative
TRIGGER ADJUST	--
FRAME COARSE	:TRIGger<1 2>[:SEquence]:SYNChronize:ADJust:FRAME <num_value>
FRAME FINE	:TRIGger<1 2>[:SEquence]:SYNChronize:ADJust:FRAME <num_value>
AUTO FRAME ADJUST	:TRIGger<1 2>[:SEquence]:SYNChronize:ADJust:FRAME:AUTO ONCE
SLOT ADJUST	:TRIGger<1 2>[:SEquence]:SYNChronize:ADJust:SLOT <num_value>
AUTO SLOT ADJUST	:TRIGger<1 2>[:SEquence]:SYNChronize:ADJust:SLOT:AUTO ONCE
TRIGGER LEVEL	:TRIGger<1 2>[:SEquence]:LEVel[:EXTERNAL] <num_value>
SLOPE POS NEG	:TRIGger<1 2>[:SEquence]:SLOPe POSitive NEGative
DEFAULT SETTINGS	CONFigure[:BTS]:PRESet
P-GSM 900	CONFigure[:BTS]:NETWork[:TYPE] PGSM   PGSM900
GSM 1800 (DCS 1800)	CONFigure[:BTS]:NETWork[:TYPE] DCS   GSM1800
GSM 1900 (PCS 1900)	CONFigure[:BTS]:NETWork[:TYPE] PCS   GSM1900
R-GSM 900	CONFigure[:BTS]:NETWork[:TYPE] RGSM   RGSM900
GSM 850	CONFigure[:BTS]:NETWork[:TYPE] GSM850
PHASE I	CONFigure[:BTS]:NETWork:PHASe 1
PHASE II	CONFigure[:BTS]:NETWork:PHASe 2
PHASE II+	CONFigure[:BTS]:NETWork:PHASe 2,PLUS
MODULATION GMSK EDGE	:CONFigure<1 2>[:MS]:MTYPE GMSK   EDGE with option FSE-K20 only

PHASE/FREQ ERROR	CONFigure:BURSt:PFERror[:IMMediate]
SINGLE	:INITiate<1 2>:CONTinuous OFF; :INITiate<1 2>[:IMMediate] :READ:BURSt:PERRor:RMS:STATus? :READ:BURSt:PERRor:RMS:AVErAge? :READ:BURSt:PERRor:RMS:MAXimum? :READ:BURSt:PERRor:PEAK:STATus? :READ:BURSt:PERRor:PEAK:AVErAge? :READ:BURSt:PERRor:PEAK:MAXimum? :READ:BURSt:FERRor:STATus? :READ:BURSt:FERRor:AVErAge? :READ:BURSt:FERRor:MAXimum?
CONTINUOUS	:INITiate<1 2>:CONTinuous ON; :INITiate<1 2>[:IMMediate] :FETCh:BURSt:PERRor:RMS:STATus? :FETCh:BURSt:PERRor:RMS:AVErAge? :FETCh:BURSt:PERRor:RMS:MAXimum? :FETCh:BURSt:PERRor:PEAK:STATus? :FETCh:BURSt:PERRor:PEAK:AVErAge? :FETCh:BURSt:PERRor:PEAK:MAXimum? :FETCh:BURSt:FERRor:STATus? :FETCh:BURSt:FERRor:AVErAge? :FETCh:BURSt:FERRor:MAXimum?
NO. OF BURSTS	--
SET MANUAL	:CONFigure<1 2>:BURSt:PFERror:COUNT <num_value>
SET TO STANDARD	--
ARFCN / FREQUENCY	see submenu SETTINGS
POWER SETTINGS	see submenu SETTINGS
X UNIT SYMB TIME	:CALCulate<1 2>:X:UNIT:TIME S SYM
CONDITIONS NORM EXTR	:CONFigure<1 2>:BURSt:PFERror:CONDitions NORMAL   EXTreme
TRIGGER	see submenu SETTINGS
EDIT	--
PHASE PEAK	:CONFigure<1 2>[:BTS]:LIMit:PPEak <num_value>
PHASE RMS	:CONFigure<1 2>[:BTS]:LIMit:PRMS <num_value>
FREQUENCY	:CONFigure<1 2>[:BTS]:LIMit:FREQuency <num_value>
USER LIMIT ON OFF	:CONFigure<1 2>[:BTS]:LIMit:STANDARD ON   OFF
MODULATION ACCURACY	:CONFigure<1 2>:BURSt:MACCuracy[:IMMediate] with option FSE-K21 only

SINGLE	:INITiate<1 2>:CONTinuous OFF; :INITiate<1 2>[:IMMediate] :READ:BURSt:MACCuracy:RMS:STATUs :READ:BURSt:MACCuracy:RMS:AVERAge :READ:BURSt:MACCuracy:RMS:MAXimum :READ:BURSt:MACCuracy:PEAK:STATUs :READ:BURSt:MACCuracy:PEAK:AVERAge :READ:BURSt:MACCuracy:PEAK:MAXimum :READ:BURSt:MACCuracy:OSUPpress:STATUs :READ:BURSt:MACCuracy:OSUPpress:AVERAge :READ:BURSt:MACCuracy:OSUPpress:MAXimum :READ:BURSt:MACCuracy:PERCentile:STATUs :READ:BURSt:MACCuracy:PERCentile:AVERAge :READ:BURSt:MACCuracy:PERCentile:MAXimum :READ:BURSt:MACCuracy:FREQuency:STATUs :READ:BURSt:MACCuracy:FREQuency:AVERAge :READ:BURSt:MACCuracy:FREQuency:MAXimum
CONTINUOUS	:INITiate<1 2>:CONTinuous ON; :INITiate<1 2>[:IMMediate] :FETCh:BURSt:MACCuracy:RMS:STATUs :FETCh:BURSt:MACCuracy:RMS:AVERAge :FETCh:BURSt:MACCuracy:RMS:MAXimum :FETCh:BURSt:MACCuracy:PEAK:STATUs :FETCh:BURSt:MACCuracy:PEAK:AVERAge :FETCh:BURSt:MACCuracy:PEAK:MAXimum :FETCh:BURSt:MACCuracy:OSUPpress:STATUs :FETCh:BURSt:MACCuracy:OSUPpress:AVERAge :FETCh:BURSt:MACCuracy:OSUPpress:MAXimum :FETCh:BURSt:MACCuracy:PERCentile:STATUs :FETCh:BURSt:MACCuracy:PERCentile:AVERAge :FETCh:BURSt:MACCuracy:PERCentile:MAXimum :FETCh:BURSt:MACCuracy:FREQuency:STATUs :FETCh:BURSt:MACCuracy:FREQuency:AVERAge :FETCh:BURSt:MACCuracy:FREQuency:MAXimum
NO. OF BURSTS	
SET MANUAL	:CONFigure<1 2>:BURSt:MACCuracy:COUNT <num_value>
SET TO STANDARD	--
ARFCN / FREQUENCY	See submenu SETTINGS
POWER SETTINGS	See submenu SETTINGS
X UNIT SYMB TIME	:CALCulate<1 2>::X:UNIT:TIME S SYM
CONDITIONS NORM EXTR	:CONFigure<1 2>:BURSt:MACCuracy:CONDitions NORMal   EXTReMe
TRIGGER	See submenu SETTINGS
EDIT	--
RMS EVM	:CONFigure<1 2>[:BTS]:LIMit:EVMRms <num_value>
PEAK EVM	:CONFigure<1 2>[:BTS]:LIMit:EVMPeak <num_value>
ORIG OFFS SUPPRESS	:CONFigure<1 2>[:BTS]:LIMit:OSUPpress <num_value>
95% PERCENTILE	:CONFigure<1 2>[:BTS]:LIMit:PERCentile <num_value>

FREQUENCY	:CONFigure<1 2>[:BTS]:LIMit:FREQuency <num_value>
USER LIMIT ON OFF	:CONFigure<1 2>[:BTS]:LIMit:STANdard ON   OFF
CARRIER POWER	:CONFigure<1 2>:BURSt:POWer[:IMMediate] :CALCulate<1 2>:LIMit:BURSt:POWer?
MEAS MAX OUTPUT PWR	:READ:BURSt:POWer?
INC STATIC PWR CTRL	:READ:BURSt:POWer:STATic?
INC DYNAM PWR CTRL	:READ:BURSt:POWer:DYNAmic?
NO. OF BURSTS	--
SET MANUAL	:CONFigure<1 2>:BURSt:POWer:COUNT <num_value>
SET TO STANDARD	--
SGL MEAS ON OFF	:CONFigure<1 2>[:BTS]:POWer:SINGle[:STATe] ON   OFF
MEAS SGL PWR LEVEL	:READ:BURSt:POWer?
STATIC PWR CTRL LEVEL	:CONFigure<1 2>[:BTS]:POWer:STATic <num_value>
DYNAM PWR CTRL LEVEL	:CONFigure<1 2>[:BTS]:POWer:DYNAmic <num_value>
CLEAR SGL RESULT TAB	:CONFigure<1 2>[:BTS]:POWer:SINGle:CLEAr
SIGNAL POWER	:CONFigure<1 2>[:BTS]:POWer:EXPEcted <num_value>
ARFCN / FREQUENCY	see submenu SETTINGS
POWER SETTINGS	see submenu SETTINGS
CONDITIONS NORM EXTR	:CONFigure<1 2>:BURSt:POWer:CONDition NORMAl   EXTREme
MEAS BANDWIDTH	:[SENSe<1 2>:]BANDwidth BWIDTH[:RESolution] DEF   300kHz   1MHz
SYNC TO MIDAMBLE	:TRIGger<1 2>[:SEQuence]:SYNChronize:SOURce FRAME   TSC
TRIGGER	see submenu SETTINGS
POWER VS TIME	:CONFigure<1 2>:BURSt:PTEMplate[:IMMediate] :CALCulate<1 2>:LIMit:BURSt:PTEMplate?
SINGLE	:INITiate<1 2>:CONTinuous OFF; :INITiate<1 2>[:IMMediate]

CONTINUOUS	:INITiate<1 2>:CONTinuous ON; :INITiate<1 2>[:IMMediate]
BURST HIGH RESOLUTION	:CONFIgure<1 2>:BURSt:PTEMplate:SELEct TOP
NO. OF BURSTS	--
SET MANUAL	:CONFIgure<1 2>:BURSt:PTEMplate:COUNT <num_value>
SET TO STANDARD	--
FULL BURST	:CONFIgure<1 2>:BURSt:PTEMplate:SELEct FULL
RISING EDGE	:CONFIgure<1 2>:BURSt:PTEMplate:SELEct RISing
FALLING EDGE	:CONFIgure<1 2>:BURSt:PTEMplate:SELEct FALLing
START REF MEAS	:READ:BURSt:REFerence[:IMMediate]?
REF MEAS AUTO USER	:CONFIgure<1 2>:BURSt:REFerence:AUTO ON   OFF
ARFCN / FREQUENCY	see submenu SETTINGS
POWER SETTINGS	see submenu SETTINGS
X UNIT SYMB TIME	CALCulate:X:UNIT:TIME S SYM
MEAS BANDWIDTH	:[SENSE<1 2>:]BANDwidth BWIDth[:RESolution] DEF   300 kHz   1 MHz
SYNC TO MIDAMBLE	:TRIGger<1 2>[:SEQuence]:SYNChronize:SOURce FRAMe   TSC
TRIGGER	see submenu SETTINGS
EDIT	--
LIMIT LINE FILTER	--
NEW LIMIT LINE	see basic instrument
EDIT LIMIT LINE	see basic instrument
COPY LIMIT LINE	see basic instrument
DELETE LIMIT LINE	see basic instrument
USER LIMIT ON OFF	:CONFIgure<1 2>[:BTS]:LIMit:STANDard ON   OFF
PAGE UP	--

PAGE DOWN	--
MODULATION SPECTRUM	:CONFIgure<1 2>:SPEctrum:MODulation[:IMMediate] :CALCulate<1 2>:LIMit:SPEctrum:MODulation? ARFCn TXBand RXBand COMBined :CALCulate<1 2>:LIMit:SPEctrum:MODulation:FAILs? ARFCn TXBand RXBand COMBined :CALCulate<1 2>:LIMit:SPEctrum:MODulation:EXCeptions? ARFCn TXBand RXBand COMBined
SINGLE FREQ SWEEP	:INITiate<1 2>:CONTInuous OFF; :INITiate<1 2>[:IMMediate]
CONTINUOUS FREQ SWEEP	:INITiate<1 2>:CONTInuous ON; :INITiate<1 2>[:IMMediate]
START LIST	:READ:SPEctrum:MODulation[:ALL]?
NO. OF BURSTS	--
SET MANUAL	:CONFIgure<1 2>:SPEctrum:MODulation:COUNT <num_value>
SET TO STANDARD	--
ARFCN ±1.8 MHZ	:CONFIgure<1 2>:SPEctrum:MODulation:RANGE ARFCn
TX BAND	:CONFIgure<1 2>:SPEctrum:MODulation:RANGE TXBand
±1.8 MHZ / TX BAND	:CONFIgure<1 2>:SPEctrum:MODulation:RANGE COMBined
RX BAND	:CONFIgure<1 2>:SPEctrum:MODulation:RANGE RXBand
ARFCN / FREQUENCY	see submenu SETTINGS
POWER SETTINGS	see submenu SETTINGS
RX BAND GAIN	:[SENSe<1 2>:]CORRection:RXGain:INPut[:MAGNitude] <num_value>
TX GATE ON OFF	:CONFIgure<1 2>:SPEctrum:MODulation:TGATE ON   OFF
TRIGGER	see submenu SETTINGS
EDIT	--
LIMIT LINE FILTER	--
NEW LIMIT LINE	see basic instrument
EDIT LIMIT LINE	see basic instrument
COPY LIMIT LINE	see basic instrument
DELETE LIMIT LINE	see basic instrument

USER LIMIT ON OFF	:CONFIgure<1 2>[:BTS]:LIMit:STANdard ON   OFF
PAGE UP	--
PAGE DOWN	--
TRANSIENT SPECTRUM	:CONFIgure<1 2>:SPECTrum:SWITChing[:IMMediate] :CALCulate<1 2>:LIMit:SPECTrum:SWITChing? :CALCulate<1 2>:LIMit:SPECTrum:SWITChing:FAILs?
SINGLE FREQ SWEEP	:INITiate<1 2>:CONTinuous OFF; :INITiate<1 2>[:IMMediate]
CONTINUOUS FREQ SWEEP	:INITiate<1 2>:CONTinuous ON; :INITiate<1 2>[:IMMediate]
START LIST	:READ:SPECTrum:SWITChing[:ALL]?
NO. OF BURSTS	--
SET MANUAL	:CONFIgure<1 2>:SPECTrum:SWITChing:COUNT <num_value>
SET TO STANDARD	--
ARFCN / FREQUENCY	see submenu SETTINGS
POWER SETTINGS	see submenu SETTINGS
BTS SFH ON OFF	:CONFIgure<1 2>[:BTS]:CHANnel:SFH ON   OFF
MEAS BANDWIDTH	:[SENSe<1 2>:]BANDwidth BWIDth[:RESolution] DEF   300kHz   1MHz
TRIGGER	see submenu SETTINGS
EDIT	--
LIMIT LINE FILTER	--
NEW LIMIT LINE	see basic instrument
EDIT LIMIT LINE	see basic instrument
COPY LIMIT LINE	see basic instrument
DELETE LIMIT LINE	see basic instrument
USER LIMIT ON OFF	:CONFIgure<1 2>[:BTS]:LIMit:STANdard ON   OFF
PAGE UP	--
PAGE DOWN	--

SPURIOUS	:CONFigure<1 2>:SPURious[:IMMediate] :CALCulate<1 2>:LIMit:SPURious? TXBand   OTXBand   RXBand :CALCulate<1 2>:LIMit:SPURious:FAILs? TXBand   OTXBand   RXBand
START LIST SGL STEP	ABORT;:READ:SPURious:STEP?
CONT LIST SGL STEP	:READ:SPURious:STEP?
START LIST	:READ:SPURious [:ALL]?
SWEEP COUNT	--
SWP COUNT TX / <> TX	:CONFigure<1 2>:SPURious:COUNT <num_value>
SWP COUNT RX BAND	:CONFigure<1 2>:SPURious:COUNT:RXBand <num_value>
SET TO STANDARD	--
TX BAND	:CONFigure<1 2>:SPURious:RANGe TXBand
<> TX BAND	:CONFigure<1 2>:SPURious:RANGe OTXBand
RX BAND	:CONFigure<1 2>:SPURious:RANGe RXBand
TX BAND ±2.MHZ	:CONFigure<1 2>:SPURious:RANGe COMBined
SELECT STEP	:CONFigure<1 2>:SPURious:STEP:COUNT? :CONFigure<1 2>:SPURious:STEP<1..26> ON   OFF
ARFCN / FREQUENCY	see submenu SETTINGS
POWER SETTINGS	see submenu SETTINGS
BTS SFH ON OFF	:CONFigure<1 2>[:BTS]:CHANnel:SFH ON   OFF
TX SUPPR ON OFF	:CONFigure<1 2>[:BTS]:TXSupp ON   OFF
RX BAND GAIN	:[SENSe<1 2>:]CORRection:RXGain:INPut[:MAGNitude] <num_value>
COSITING	:CONFigure<1 2>[:BTS]:COSiting ON   OFF
SWEEPTIME STD AUTO	:CONFigure<1 2>[:BTS]:SWEeptime STANDard AUTO
TRIGGER	see submenu SETTINGS
EDIT	--
LIMIT LINE FILTER	--

NEW LIMIT LINE	see basic instrument
EDIT LIMIT LINE	see basic instrument (Einheiten DB   DBM)
COPY LIMIT LINE	see basic instrument
DELETE LIMIT LINE	see basic instrument
USER LIMIT ON OFF	:CONFigure<1 2>[:BTS]:LIMit:STANdard ON   OFF
PAGE UP	--
PAGE DOWN	--

## Operating Mode GSM MS Analyzer (Option FSE-K10)

### CONFIGURATION Key Group

MODE	
GSM MS ANALYZER	::INSTRument<1 2>[:SElect] MGSM
SETTINGS	--
EXTERNAL ATTEN	:[SENSe<1 2>:]CORRection:LOSS:INPut[:MAGNitude] <num_value>
ARFCN / FREQUENCY	--
ARFCN	:CONFigure<1 2>[:MS]:ARFCn <num_value>
ARFCN AUTOSELECT	:CONFigure<1 2>[:MS]:ARFCn:AUTO ONCE
FREQUENCY	:[SENSe<1 2>:]FREQUency:CENTer <num_value>
POWER SETTINGS	--
EXTERNAL ATTEN	:[SENSe<1 2>:]CORRection:LOSS:INPut[:MAGNitude] <num_value>
OUTPUT MS POWER	:CONFigure<1 2>[:MS]:POWER:EXPEcted <num_value>   EG1   EG2   EG3 EG1, EG1, EG3 only for EDGE (option K20)
POWER CLASS	:CONFigure<1 2>[:MS]:POWER:CLASs <num_value>
POWER CTRL LEVEL	:CONFigure<1 2>[:MS]:POWER:LEVEl <num_value>
SMALL MS ON OFF	:CONFigure<1 2>[:MS]:POWER:SMALl ON   OFF
SMALL MS ON OFF	:CONFigure<1 2>[:MS]:POWER:SMALl ON   OFF
LIMIT/PWR COUPLED	:CONFigure<1 2>[:MS]:POWER:COUPled ON   OFF
SIGNAL POWER	:CONFigure<1 2>[:MS]:POWER:EXPEcted <num_value>
LIMIT LINE REF POWER	:CONFigure<1 2>[:MS]:POWER:LIMit <num_value>
LIMIT MARGIN	:CALCulate<1 2>:LIMit:MARGIn <num_value>
MIDAMBLE	:CONFigure<1 2>[:MS]:CHANnel:TSC 0...7

TRIGGER	--
FREE RUN	:TRIGger<1 2>[:SEquence]:SOURce IMMEDIATE
VIDEO	:TRIGger<1 2>[:SEquence]:SOURce VIDEO
EXTERN	:TRIGger<1 2>[:SEquence]:SOURce EXTERNAL :TRIGger<1 2>[:SEquence]:LEVel[:EXTernal] -5.0...+5.0V
RF POWER	:TRIGger<1 2>[:SEquence]:SOURce RFPower
SLOPE POS NEG	:TRIGger<1 2>[:SEquence]:SLOPe POSitive NEGative
TRIGGER ADJUST	--
COARSE ADJUST	:TRIGger<1 2>[:SEquence]:SYNChronize:ADJust:SLOT <num_value>
FINE ADJUST	:TRIGger<1 2>[:SEquence]:SYNChronize:ADJust:SLOT <num_value>
AUTO ADJUST	:TRIGger<1 2>[:SEquence]:SYNChronize:ADJust:SLOT:AUTO ONCE
TRIGGER LEVEL	:TRIGger<1 2>[:SEquence]:LEVel[:EXTernal] <num_value>
SLOPE POS NEG	:TRIGger<1 2>[:SEquence]:SLOPe POSitive NEGative
DEFAULT SETTINGS	:CONFigure<1 2>[:MS]:PRESet
P-GSM 900	:CONFigure<1 2>[:MS]:NETWork[:TYPE] PGSM   PGSM900
E-GSM 900	:CONFigure<1 2>[:MS]:NETWork[:TYPE] EGSM   EGSM900
GSM 1800 (DCS 1800)	:CONFigure<1 2>[:MS]:NETWork[:TYPE] DCS   GSM1800
GSM 1900 (PCS 1900)	:CONFigure<1 2>[:MS]:NETWork[:TYPE] PCS   GSM1900
R-GSM 900	:CONFigure<1 2>[:MS]:NETWork[:TYPE] RGSM   RGSM900
GSM 850	:CONFigure<1 2>[:MS]:NETWork[:TYPE] GSM850
PHASE I	:CONFigure<1 2>[:MS]:NETWork:PHASE 1
PHASE II	:CONFigure<1 2>[:MS]:NETWork:PHASE 2
PHASE II+	:CONFigure<1 2>[:MS]:NETWork:PHASE 2,PLUS

MODULATION GMSK EDGE	:CONFigure<1 2>[:MS]:MType GMSK   EDGE with option FSE-K20 only
PHASE/FREQ ERROR	:CONFigure<1 2>:BURSt:PFERror[:IMMediate]
SINGLE	:INITiate<1 2>:CONTinuous OFF; :INITiate<1 2>[:IMMediate]
CONTINUOUS	:INITiate<1 2>:CONTinuous ON; :INITiate<1 2>[:IMMediate]
NO. OF BURSTS	
SET MANUAL	:CONFigure<1 2>:BURSt:PFERror:COUNT <num_value>
SET TO STANDARD	--
ARFCN / FREQUENCY	see submenu SETTINGS
POWER SETTINGS	see submenu SETTINGS
X UNIT SYMB TIME	:CALCulate<1 2>::X:UNIT:TIME S SYM
CONDITIONS NORM EXTR	:CONFigure<1 2>:BURSt:PFERror:CONDitions NORMal   EXTReMe
TRIGGER	see submenu SETTINGS
EDIT	--
PHASE PEAK	:CONFigure<1 2>[:MS]:LIMit:PPEak <num_value>
PHASE RMS	:CONFigure<1 2>[:MS]:LIMit:PRMS <num_value>
FREQUENCY	:CONFigure<1 2>[:MS]:LIMit:FREQuency <num_value>
USER LIMIT ON OFF	:CONFigure<1 2>[:MS]:LIMit:STANdard ON   OFF
MODULATION ACCURACY	:CONFigure<1 2>:BURSt:MACCuracy[:IMMediate] with option FSE-K20 only

SINGLE	:INITiate<1 2>:CONTinuous OFF; :INITiate<1 2>[:IMMediate] :READ:BURSt:MACCuracy:RMS:STATUs :READ:BURSt:MACCuracy:RMS:AVERAge :READ:BURSt:MACCuracy:RMS:MAXimum :READ:BURSt:MACCuracy:PEAK:STATUs :READ:BURSt:MACCuracy:PEAK:AVERAge :READ:BURSt:MACCuracy:PEAK:MAXimum :READ:BURSt:MACCuracy:OSUPpress:STATUs :READ:BURSt:MACCuracy:OSUPpress:AVERAge :READ:BURSt:MACCuracy:OSUPpress:MAXimum :READ:BURSt:MACCuracy:PERCentile:STATUs :READ:BURSt:MACCuracy:PERCentile:AVERAge :READ:BURSt:MACCuracy:PERCentile:MAXimum :READ:BURSt:MACCuracy:FREQuency:STATUs :READ:BURSt:MACCuracy:FREQuency:AVERAge :READ:BURSt:MACCuracy:FREQuency:MAXimum
CONTINUOUS	:INITiate<1 2>:CONTinuous ON; :INITiate<1 2>[:IMMediate] :FETCh:BURSt:MACCuracy:RMS:STATUs :FETCh:BURSt:MACCuracy:RMS:AVERAge :FETCh:BURSt:MACCuracy:RMS:MAXimum :FETCh:BURSt:MACCuracy:PEAK:STATUs :FETCh:BURSt:MACCuracy:PEAK:AVERAge :FETCh:BURSt:MACCuracy:PEAK:MAXimum :FETCh:BURSt:MACCuracy:OSUPpress:STATUs :FETCh:BURSt:MACCuracy:OSUPpress:AVERAge :FETCh:BURSt:MACCuracy:OSUPpress:MAXimum :FETCh:BURSt:MACCuracy:PERCentile:STATUs :FETCh:BURSt:MACCuracy:PERCentile:AVERAge :FETCh:BURSt:MACCuracy:PERCentile:MAXimum :FETCh:BURSt:MACCuracy:FREQuency:STATUs :FETCh:BURSt:MACCuracy:FREQuency:AVERAge :FETCh:BURSt:MACCuracy:FREQuency:MAXimum
NO. OF BURSTS	
SET MANUAL	:CONFigure<1 2>:BURSt:MACCuracy:COUNT <num_value>
SET TO STANDARD	--
ARFCN / FREQUENCY	see submenu SETTINGS
POWER SETTINGS	see submenu SETTINGS
X UNIT SYMB TIME	:CALCulate<1 2>::X:UNIT:TIME S SYM
CONDITIONS NORM EXTR	:CONFigure<1 2>:BURSt:MACCuracy:CONDitions NORMal   EXTReMe
TRIGGER	see submenu SETTINGS
EDIT	--
RMS EVM	:CONFigure<1 2>[:MS]:LIMit:EVMRms <num_value>
PEAK EVM	:CONFigure<1 2>[:MS]:LIMit:EVMPeak <num_value>
ORIG OFFS SUPPRESS	:CONFigure<1 2>[:MS]:LIMit:OSUPpress <num_value>
95% PERCENTILE	:CONFigure<1 2>[:MS]:LIMit:PERCentile <num_value>

FREQUENCY	:CONFigure<1 2>[:MS]:LIMit:FREQuency <num_value>
USER LIMIT ON OFF	:CONFigure<1 2>[:MS]:LIMit:STANdard ON   OFF
CARRIER POWER	:CONFigure<1 2>:BURSt:POWer[:IMMediate] :CALCulate<1 2>:LIMit:BURSt:POWer?
MEAS MAX OUTPUT PWR	:READ:BURSt:POWer?
INC PWR CTRL LEVEL	:READ:BURSt:POWer:LEVel?
NO. OF BURSTS	--
SET MANUAL	:CONFigure<1 2>:BURSt:POWer:COUnT <num_value>
SET TO STANDARD	--
SGL MEAS ON OFF	:CONFigure<1 2>[:MS]:POWer:SINGLe[:STATe] ON   OFF
MEAS SGL PWR LEVEL	:READ:BURSt:POWer?
POWER CTRL LEVEL	:CONFigure<1 2>[:MS]:POWer:LEVel <num_value>
CLEAR SGL RESULT TAB	:CONFigure<1 2>[:MS]:POWer:SINGLe:CLEAr
SIGNAL POWER	:CONFigure<1 2>[:MS]:POWer:EXPEcted <num_value>
ARFCN / FREQUENCY	see submenu SETTINGS
POWER SETTINGS	see submenu SETTINGS
CONDITIONS NORM EXTR	:CONFigure<1 2>:BURSt:POWer:CONdITION NORMAl   EXTReme
MEAS BANDWIDTH	:[SENSe<1 2>:]BANDwidth BWIDth[:RESolution] DEF   300 kHz   1 MHz
SYNC TO MIDAMBLE	:TRIGger<1 2>[:SEQuence]:SYNChronize:SOURce FRAMe   TSC
TRIGGER	see submenu SETTINGS
POWER VS TIME	:CONFigure<1 2>:BURSt:PTEMplate[:IMMediate] :CALCulate<1 2>:LIMit:BURSt:PTEMplate?
SINGLE	:INITiate<1 2>:CONtinuous OFF; :INITiate<1 2>[:IMMediate]
CONTINUOUS	:INITiate<1 2>:CONtinuous ON; :INITiate<1 2>[:IMMediate]

BURST HIGH RESOLUTION	:CONFigure<1 2>:BURSt:PTEMplate:SElect TOP
NO. OF BURSTS	--
SET MANUAL	:CONFigure<1 2>:BURSt:PTEMplate:COUNt <num_value>
SET TO STANDARD	--
FULL BURST	:CONFigure<1 2>:BURSt:PTEMplate:SElect FULL
RISING EDGE	:CONFigure<1 2>:BURSt:PTEMplate:SElect RISing
FALLING EDGE	:CONFigure<1 2>:BURSt:PTEMplate:SElect FALLing
START REF MEAS	:READ:BURSt:REFerence[:IMMediate]?
REF MEAS AUTO USER	:CONFigure<1 2>:BURSt:REFerence:AUTO ON   OFF
ARFCN / FREQUENCY	see submenu SETTINGS
POWER SETTINGS	see submenu SETTINGS
X UNIT SYMB TIME	:CALCulate<1 2>:X:UNIT:TIME S SYM
MEAS BANDWIDTH	:[SENSe<1 2>:]BANDwidth BWIDth[:RESolution] DEF   300kHz   1MHz
SYNC TO MIDAMBLE	:TRIGger<1 2>[:SEQuence]:SYNChronize:SOURce FRAME   TSC
TRIGGER	see submenu SETTINGS
EDIT	--
LIMIT LINE FILTER	--
EDIT LIMIT LINE	see basic instrument
USER LIMIT ON OFF	:CONFigure<1 2>[:MS]:LIMIt:STANdard ON   OFF
PAGE UP	--
PAGE DOWN	--

MODULATION SPECTRUM	:CONFIgure<1 2>:SPECTrum:MODulation[:IMMediate] :CALCulate<1 2>:LIMit:SPECTrum:MODulation? ARFCn TXBand RXBand COMBined DCSRx1800 :CALCulate<1 2>:LIMit:SPECTrum:MODulation:FAILs? ARFCn TXBand RXBand COMBined DCSRx1800 :CALCulate<1 2>:LIMit:SPECTrum:MODulation:EXCeptions? ARFCn TXBand RXBand COMBined DCSRx1800
SINGLE FREQ SWEEP	:INITiate<1 2>:CONTInuous OFF; :INITiate<1 2>[:IMMediate]
CONTINUOUS FREQ SWEEP	:INITiate<1 2>:CONTInuous ON; :INITiate<1 2>[:IMMediate]
START LIST	:READ:SPECTrum:MODulation[:ALL]?
NO. OF BURSTS	--
SET MANUAL	:CONFIgure<1 2>:SPECTrum:MODulation:COUNT <num_value>
SET TO STANDARD	--
ARFCN ± 1.8 MHz	:CONFIgure<1 2>:SPECTrum:MODulation:RANGE ARFCn
TX BAND	:CONFIgure<1 2>:SPECTrum:MODulation:RANGE TXBand
±1.8 MHz TX BAND	:CONFIgure<1 2>:SPECTrum:MODulation:RANGE COMBined
RX BAND GSM 900	:CONFIgure<1 2>:SPECTrum:MODulation:RANGE RXBand
RX BAND DCS 1800	:CONFIgure<1 2>:SPECTrum:MODulation:RANGE DCSRx1800
RX BAND	:CONFIgure<1 2>:SPECTrum:MODulation:RANGE RXBand
RX BAND GSM 850	:CONFIgure<1 2>:SPECTrum:MODulation:RANGE G8RXband
RX BAND PCS 1900	:CONFIgure<1 2>:SPECTrum:MODulation:RANGE PCSRx1900
ARFCN / FREQUENCY	see submenu SETTINGS
POWER SETTINGS	see submenu SETTINGS
RX BAND GAIN	:[SENSE<1 2>:]CORRection:RXGain:INPut[:MAGNitude] <num_value>
TRIGGER	see submenu SETTINGS
EDIT	--

LIMIT LINE FILTER	--
EDIT LIMIT LINE	see basic instrument
USER LIMIT ON OFF	:CONFigure<1 2>[:MS]:LIMIt:STANdard ON   OFF
PAGE UP	--
PAGE DOWN	--
TRANSIENT SPECTRUM	:CONFigure<1 2>:SPECTrum:SWITChing[:IMMediate] :CALCulate<1 2>:LIMIt:SPECTrum:SWITChing? :CALCulate<1 2>:LIMIt:SPECTrum:SWITChing:FAILs?
SINGLE FREQ SWEEP	:INITiate<1 2>:CONTInuous OFF; :INITiate<1 2>[:IMMediate]
CONTINUOUS FREQ SWEEP	:INITiate<1 2>:CONTInuous ON; :INITiate<1 2>[:IMMediate]
START LIST	:READ:SPECTrum:SWITChing[:ALL]?
NO. OF BURSTS	--
SET MANUAL	:CONFigure<1 2>:SPECTrum:SWITChing:COUNT <num_value>
SET TO STANDARD	--
ARFCN / FREQUENCY	see submenu SETTINGS
POWER SETTINGS	see submenu SETTINGS
MS SFH ON OFF	:CONFigure<1 2>[:MS]:CHANnel:SFH ON   OFF
MEAS BANDWIDTH	:[SENSe<1 2>:]BANDwidth BWIth[:RESolution] DEF   300 kHz   1 MHz
TRIGGER	see submenu SETTINGS
EDIT	--
LIMIT LINE FILTER	--
EDIT LIMIT LINE	see basic instrument
USER LIMIT ON OFF	:CONFigure<1 2>[:MS]:LIMIt:STANdard ON   OFF
PAGE UP	--

PAGE DOWN	--
SPURIOUS	:CONFIgure<1 2>:SPURious[:IMMediate] :CALCulate<1 2>:LIMit:SPURious? TXBand   OTXBand   IDLeband :CALCulate<1 2>:LIMit:SPURious:FAILs? TXBand   OTXBand   IDLeband
START LIST SGL STEP	ABORT;:READ:SPURious:STEP?
CONT LIST SGL STEP	:READ:SPURious:STEP?
START LIST	:READ:SPURious [:ALL]?
SWEEP COUNT	--
SWP COUNT TX / <>TX	:CONFIgure<1 2>:SPURious:COUNT <num_value>
TX BAND	:CONFIgure<1 2>:SPURious:RANGE TXBand
<> TX BAND	:CONFIgure<1 2>:SPURious:RANGE OTXBand
IDLE MODE	:CONFIgure<1 2>:SPURious:RANGE IDLeband
TX BAND ±2.0 MHZ	:CONFIgure<1 2>:SPURious:RANGE COMBined
SELECT STEP	:CONFIgure<1 2>:SPURious:STEP:COUNT? :CONFIgure<1 2>:SPURious:STEP<1..26> ON   OFF
ARFCN / FREQUENCY	see submenu SETTINGS
POWER SETTINGS	see submenu SETTINGS
MS SFH ON OFF	:CONFIgure<1 2>[:MS]:CHANnel:SFH ON   OFF
TX SUPPR ON OFF	:CONFIgure<1 2>[:MS]:TXSupp ON   OFF
ANTENNA COND RAD	:CONFIgure<1 2>:SPURious:ANTenna CONDUCTed RADIated
SWEEPTIME STD AUTO	:CONFIgure<1 2>[:MS]:SWEeptime STANDard AUTO
TRIGGER	see submenu SETTINGS
EDIT	--
LIMIT LINE FILTER	--

EDIT LIMIT LINE	see basic instrument
USER LIMIT ON OFF	:CONFigure<1 2>[:MS]:LIMIT:STANdard ON   OFF
PAGE UP	--
PAGE DOWN	--

## External Mixer Output (Option FSE-B21)

### INPUT Key Group

INPUT	
MIXER INTERNAL	: [SENSe<1 2>:]MIXer[:STATe] OFF
MIXER EXTERNAL	: [SENSe<1 2>:]MIXer[:STATe] ON
BAND LOCK ON OFF	: [SENSe<1 2>:]MIXer:BLock ON   OFF
SELECT BAND	--
BAND	: [SENSe<1 2>:]MIXer:HARMonic:BAND A Q U V E W F D G Y J
EVEN HARMONICS	: [SENSe<1 2>:]MIXer:HARMonic:TYPE ODD EVEN EODD
ODD HARMONICS	: [SENSe<1 2>:]MIXer:HARMonic:TYPE ODD EVEN EODD
PORTS 2 3	: [SENSe<1 2>:]MIXer:PORT 2 3
BIAS	: [SENSe<1 2>:]MIXer:BIAS <value>
ACCEPT BIAS	--
AVG CONV LOSS LOW	: [SENSe<1 2>:]MIXer:LOSS[:LOW] <value>
AVG CONV LOSS HIGH	: [SENSe<1 2>:]MIXer:LOSS:HIGH <value>
CONV LOSS TABLE	--
EDIT TABLE	--
TABLE NAME	: [SENSe<1 2>:]CORRection:CVL:SElect <name>
VALUES	: [SENSe<1 2>:]CORRection:CVL:DATA <x1-val>,<y1-val>,<x2-val>,... input of further values in CVL table: : [SENSe<1 2>:]CORRection:CVL:MIXer <string> : [SENSe<1 2>:]CORRection:CVL:SNUMber <string> : [SENSe<1 2>:]CORRection:CVL:BAND A Q U V E W F D G Y J : [SENSe<1 2>:]CORRection:CVL:TYPE ODD EVEN EODD : [SENSe<1 2>:]CORRection:CVL:PORTs 2 3 : [SENSe<1 2>:]CORRection:CVL:BIAS <value> : [SENSe<1 2>:]CORRection:CVL:COMMeNt <string>
INSERT LINE	--

DELETE LINE	--
COPY TABLE	--
SAVE TABLE	Each change of value is saved automatically
PAGE UP	--
PAGE DOWN	--
NEW TABLE	See softkey EDIT TABLE
LOAD TABLE	--
DELETE TABLE	:[SENSe<1 2>:]CORRection:CVL:CLEar
PAGE UP	--
PAGE DOWN	--
DEFAULT SETTINGS	--
HARMONIC#	:[SENSe<1 2>:]MIXer:HARMonic <value>
PORTS 2 3	:[SENSe<1 2>:]MIXer:PORT 2 3
AVG CONV LOSS	:[SENSe<1 2>:]MIXer:LOSS[:LOW] <num_value>
BIAS	--
BIAS	:[SENSe<1 2>:]MIXer:BIAS <num_value>
BIAS OFF	--
SIGNAL ID	--
SIGNAL ID	:[SENSe<1 2>:]MIXer:SIGNAL OFF   ON
AUTO ID	:[SENSe<1 2>:]MIXer:SIGNAL OFF   AUTO
AUTO ID THRESHOLD	:[SENSe<1 2>:]MIXer:THReshold <value>

# Contents - Chapter 7 "Remote Control - Programming Examples"

<b>7 Programming Examples .....</b>	<b>7.1</b>
<b>Programming via IEC/IEEE Bus.....</b>	<b>7.1</b>
Including IEC-Bus Library for QuickBasic.....	7.1
Initialization and Default Status .....	7.1
Initiate Controller .....	7.1
Initiate Instrument.....	7.1
Transmission of Instrument Setting Commands .....	7.2
Switchover to Manual Control.....	7.2
Reading out Instrument Settings .....	7.2
Positioning a Marker and Displaying Values .....	7.2
Command synchronization .....	7.3
Service Request .....	7.4
<b>Programming via the RSIB Interface .....</b>	<b>7.6</b>
Visual Basic .....	7.6
Visual Basic for Applications (Winword and Excel) .....	7.9
C / C++ .....	7.10



## 7 Programming Examples

The examples explain the programming of the instrument and can serve as a basis to solve more complex programming tasks.

QuickBASIC has been used as programming language. However, the programs can be translated into other languages.

### Programming via IEC/IEEE Bus

#### Including IEC-Bus Library for QuickBasic

```
REM ----- Include IEC-bus library for quickbasic -----
'$INCLUDE: 'c:\qbasic\qbdecl4.bas'
```

#### Initialization and Default Status

The IEC bus as well as the settings of the instrument are brought into a defined default status at the beginning of every program. Subroutines "InitController" and "InitDevice" are used to this effect.

##### Initiate Controller

```
REM ----- Initiate controller -----
REM InitController
iecaddress% = 20                                'IEC-bus address of the
                                                'instrument
CALL IBFIND("DEV1", analyzer%)                 'Open port to the instrument
CALL IBPAD(analyzer%, iecaddress%)             'Inform controller on instrument
                                                'address
CALL IBTMO(analyzer%, 11)                      'Response time to 1 sec
REM *****
```

##### Initiate Instrument

The IEC-bus status registers and instrument settings of the instrument are brought into the default status.

```
REM ----- Initiate instrument -----
REM InitDevice
CALL IBWRT(analyzer%, "*CLS")                  'Reset status register
CALL IBWRT(analyzer%, "*RST")                 'Reset instrument
REM*****
```

## Transmission of Instrument Setting Commands

Center frequency, span, and reference level of the instrument are set in this example.

```
REM ----- Instrument setting commands -----
CALL IBWRT(analyzer%, "FREQUENCY:CENTER 120MHZ") 'Center frequency 120 MHz
CALL IBWRT(analyzer%, "FREQUENCY:SPAN 10MHZ")    'Span 10 MHz
CALL IBWRT(analyzer%, "DISPLAY:TRACE:Y:RLEVEL -10dBm")
                                                    'Reference level -10dBm
REM *****
```

## Switchover to Manual Control

```
REM ----- Switch instrument over to manual control -----
CALL IBLOC(analyzer%) 'Set instrument to Local state
REM *****
```

## Reading out Instrument Settings

The settings made in example 3 are read out here. The abbreviated commands are used.

```
REM ----- Reading out instrument settings -----
CFfrequency$ = SPACE$(20) 'Provide text variables (20 characters)
CALL IBWRT(analyzer%, "FREQ:CENT?") 'Request center frequency
CALL IBRD(analyzer%, CFfrequency$) 'Read value

CFspan$ = SPACE$(20) 'Provide text variables (20 characters)
CALL IBWRT(analyzer%, "FREQ:SPAN?") 'Request span
CALL IBRD(analyzer%, CFspan$) 'Read value

RLevel$ = SPACE$(20) 'Provide text variables (20 characters)
CALL IBWRT(analyzer%, "DISP:TRAC:Y:RLEV?")
                                                    'Request reference level
CALL IBRD(analyzer%, RLevel$) 'Read value

REM ----- Display values on the screen -----
PRINT "Center frequency: "; CFfrequency$,
PRINT "Span: "; CFspan$,
PRINT "Reference level: "; RLevel$,
REM*****
```

## Positioning a Marker and Displaying Values

```
REM ----- Examples of marker functions -----
CALL IBWRT(analyzer%, "CALC:MARKER ON;MARKER:MAX")
                                                    'Activate marker1 and start peak search
MKmark$ = SPACE$(30) 'Provide text variables (30 characters)
CALL IBWRT(analyzer%, "CALC:MARK:X?;Y?") 'Request frequency and level
CALL IBRD(analyzer%, MKmark$) 'Read value

REM ----- Display values on the screen -----
PRINT "Center frequency / level "; MKmark$,
REM *****
```

## Command synchronization

The possibilities for synchronization implemented in the following example are described in Chapter 5, Section "Command Order and Command Synchronization".

```

REM ----- Examples of command synchronization -----
REM The command INITiate[:IMMEDIATE] starts a single sweep if the command
REM INIT:CONT OFF was previously sent. It should be ensured that the next
REM command is only then executed when the entire sweep is complete.

CALL IBWRT(analyzer%, "INIT:CONT OFF")

REM ----- First possibility: Use of *WAI -----
CALL IBWRT(analyzer%, "ABOR;INIT:IMM; *WAI")

REM ----- Second possibility: Use of *OPC? -----
OpcOk$ = SPACE$(2)           'Space for *OPC? - Provide response
CALL IBWRT(analyzer%, "ABOR;INIT:IMM; *OPC?")
REM ----- here the controller can service other instruments -----
CALL IBRD(analyzer%, OpcOk$) 'Wait for "1" from *OPC?

REM ----- Third possibility: Use of *OPC -----
REM In order to be able to use the service request function in conjunction
REM with a National Instruments GPIB driver, the setting "Disable
REM Auto Serial Poll" must be changed to "yes" by means of IBCONF!

CALL IBWRT(analyzer%, "*SRE 32") 'Permit service request for ESR
CALL IBWRT(analyzer%, "*ESE 1") 'Set event-enable bit for
                                'operation-complete bit
ON PEN GOSUB OpcReady           'Initialization of the
                                'service request routine

PEN ON
CALL IBWRT(analyzer%, "ABOR;INIT:IMM; *OPC")

REM Continue main program here
STOP                            'End of program

OpcReady:
REM As soon as the sweep has ended, this subroutine is activated
REM Program suitable reaction to the OPC service request.
ON PEN GOSUB OpcReady           'Enable service request routine again
RETURN
REM *****

```

## Service Request

The service request routine requires an extended initialization of the instrument in which the respective bits of the transition and enable registers are set.

In order to use the service request function in conjugation with National Instruments GPIB driver, the setting "Disable Auto Serial Poll" must be changed to "yes" by means of IBCONF!

```

REM ---- Example of initialization of the SRQ in the case of errors -----
CALL IBWRT(analyzer%, "*CLS")           'Reset Status Reporting System
CALL IBWRT(analyzer%, "*SRE 168")      'Permit service request for
                                        'STAT:OPER,STAT:QUES and ESR
                                        'register
CALL IBWRT(analyzer%, "*ESE 60")      'Set event-enable bit for
                                        'command, execution, device-
                                        'dependent and query error
CALL IBWRT(analyzer%, "STAT:OPER:ENAB 32767") 'Set OPERATION enable bit for
                                        'all events
CALL IBWRT(analyzer%, "STAT:OPER:PTR 32767") 'Set appropriate OPERATION
                                        'Ptransition bits
CALL IBWRT(analyzer%, "STAT:QUES:ENAB 32767") 'Set questionable enable bits
                                        'for all events
CALL IBWRT(analyzer%, "STAT:QUES:PTR 32767") 'Set appropriate questionable
                                        'Ptransition bits
ON PEN GOSUB Srq                       'Initialization of the service
                                        'request routine

PEN ON
REM Continue main program here
STOP

```

A service request is then processed in the service request routine.

Note: the variables userN% and userM% must be pre-assigned usefully!

```

Srq:
REM ----- Service request routine -----
DO
  SRQFOUND% = 0
  FOR I% = userN% TO userM%           'Poll all bus users
    ON ERROR GOTO nouser              'No user existing
    CALL IBRSP(I%, STB%)              'Serial poll, read status byte
    IF STB% > 0 THEN                   'This instrument has bits set
                                        'in the STB
      SRQFOUND% = 1
      IF (STB% AND 16) > 0 THEN GOSUB Outputqueue
      IF (STB% AND 4) > 0 THEN GOSUB Failure
      IF (STB% AND 8) > 0 THEN GOSUB Questionablestatus
      IF (STB% AND 128) > 0 THEN GOSUB Operationstatus
      IF (STB% AND 32) > 0 THEN GOSUB Esrread
    END IF
  NEXT I%
nouser:
  LOOP UNTIL SRQFOUND% = 0
  ON ERROR GOTO error handling
  ON PEN GOSUB Srq: RETURN            'Enable SRQ routine again
                                        'End of SRQ routine

```

Reading out the status event registers, the output buffer and the error/event queue is effected in subroutines.

```

REM ----- Subroutines for the individual STB bits -----
Outputqueue:                                'Reading the output buffer
Message$ = SPACE$(100)                       'Make space for response
CALL IBRD(analyzer%, Message$)
PRINT "Message in output buffer :"; Message$
RETURN

Failure:                                     'Read error queue
ERROR$ = SPACE$(100)                         'Make space for error variable
CALL IBWRT(analyzer%, "SYSTEM:ERROR?")
CALL IBRD(analyzer%, ERROR$)
PRINT " Error text :"; ERROR$
RETURN

Questionablestatus:                         'Read questionable status register
Ques$ = SPACE$(20)                           'Preallocate blanks to text variable
CALL IBWRT(analyzer%, "STaTus:QUEStionable:EvEnt?")
CALL IBRD(analyzer%, Ques$)
PRINT "Questionable Status: "; Ques$
RETURN

Operationstatus:                             'Read operation status register
Oper$ = SPACE$(20)                           'Preallocate blanks to text variable
CALL IBWRT(analyzer%, "STaTus:OPERation:EvEnt?")
CALL IBRD(analyzer%, Oper$)
PRINT "Operation Status: "; Oper$
RETURN

Esrread:                                     'Read event status register
Esr$ = SPACE$(20)                             'Preallocate blanks to text variable
CALL IBWRT(analyzer%, "*ESR?")                'Read ESR
CALL IBRD(analyzer%, Esr$)
IF (VAL(Esr$) AND 1) > 0 THEN PRINT "Operation complete"
IF (VAL(Esr$) AND 4) > 0 THEN GOTO Failure
IF (VAL(Esr$) AND 8) > 0 THEN PRINT "Device dependent error"
IF (VAL(Esr$) AND 16) > 0 THEN GOTO Failure
IF (VAL(Esr$) AND 32) > 0 THEN GOTO Failure
IF (VAL(Esr$) AND 64) > 0 THEN PRINT "User request"
IF (VAL(Esr$) AND 128) > 0 THEN PRINT "Power on"
RETURN
REM *****

REM ----- Error routine -----
Error handling:
PRINT "ERROR"                                'Output error message
STOP                                          'Stop software

```



## Example:

```

Dim ibsta As Integer      ' Status variable
Dim iberr As Integer     ' Error variable
Dim ibcntl As Long      ' Count variable
Dim ud As Integer       ' Handle for measuring instrument
Dim Result As String    ' Buffer for simple results
Dim Digits As Byte      ' Number of digits of length indication
Dim TraceBytes As Long  ' Length of trace data in bytes
Dim TraceData(501) As Single ' Buffer for floating point
                          ' Binary data

' Set up connection to instrument
ud = RSDLLibfind("89.10.38.97", ibsta, iberr, ibcntl)

' Query trace data in real format
Call RSDLLibwrt(ud, "FORM:DATA REAL,32", ibsta, iberr, ibcntl)
Call RSDLLibwrt(ud, "TRACE? TRACE1", ibsta, iberr, ibcntl)

' Read number of digits of length indication
Result = Space$(20)
Call RSDLLilrd(ud, Result, 2, ibsta, iberr, ibcntl)
Digits = Val(Mid$(Result, 2, 1))

' Read length indication
Result = Space$(20)
Call RSDLLilrd(ud, Result, Digits, ibsta, iberr, ibcntl)
TraceBytes = Val(Left$(Result, Digits)) 'and store

' Read out trace data
Call RSDLLilrdTraceReal(ud, TraceData(0), TraceBytes, ibsta, iberr, ibcntl)

```

**Programming examples:**

- In this example, the start frequency of the instrument is queried.

```

Dim ibsta As Integer      ' Status variable
Dim iberr As Integer     ' Error variable
Dim ibcntl As Long      ' Count variable
Dim ud As Integer       ' Handle for measuring instrument
Dim Response As String   ' Response string

' Set up connection to measuring instrument
ud = RSDLLibfind("89.10.38.97", ibsta, iberr, ibcntl)
If (ud < 0) Then
    ' Error treatment
End If

' Send query command
Call RSDLLibwrt(ud, "FREQ:START?", ibsta, iberr, ibcntl)

' Provide space for response
Response = Space$(100)

' Read response from measuring instrument
Call RSDLLibrd(ud, Response, ibsta, iberr, ibcntl)

```

- In this example, a Save/Recall of the instrument setups is performed.

```
Dim ibsta As Integer      ' Status variable
Dim iberr As Integer     ' Error variable
Dim ibcntl As Long       ' Count variable
Dim ud As Integer        ' Handle for measuring instrument
Dim Cmd As String        ' Command string

' Set up connection to measuring instrument
ud = RSDLLibfind("89.10.38.97", ibsta, iberr, ibcntl)
If (ud < 0) Then
    ' Error treatment
End If

' Request instrument settings
Cmd = "SYST:SET?"
Call RSDLLibwrt(ud, Cmd, ibsta, iberr, ibcntl)

' Store instrument response in file
Call RSDLLibrdf(ud, "C:\db.sav", ibsta, iberr, ibcntl)

' Reset instrument
Call RSDLLibwrt(ud, "*RST", ibsta, iberr, ibcntl)

' and restore the previous settings
' to this end disable the END message
Call RSDLLibeot(ud, 0, ibsta, iberr, ibcntl)
' first send off command
Call RSDLLibwrt(ud, "SYST:SET ", ibsta, iberr, ibcntl)
' enable the END message again
Call RSDLLibeot(ud, 1, ibsta, iberr, ibcntl)
' and send the data
Call RSDLLibrwrtf(ud, "C:\db.sav", ibsta, iberr, ibcntl)
```

## Visual Basic for Applications (Winword and Excel)

### Programming hints:

The programming language Visual Basic for Applications (VBA) is supported as a macro language by various manufacturers. The programs Winword and Excel use this language for the versions Winword 97 or Excel 5.0 and higher.

For macros created with Visual Basic for Applications, the same hints are valid as for Visual Basic Applications.

### Programming example:

- Using the macro `QueryMaxPeak` a single sweep with subsequent query of the maximum peak is performed. The result is entered in a Winword or Excel document.

```
Sub QueryMaxPeak()

    Dim ibsta As Integer      ' Status variable
    Dim iberr As Integer     ' Error variable
    Dim ibcnt1 As Long       ' transferred characters
    Dim ud As Integer        ' Unit Descriptor (handle)for instrument
    Dim Response As String   ' Response string

    ' Set up connection to measuring instrument
    ud = RSDLLibfind("89.10.38.97", ibsta, iberr, ibcnt1)
    If (ud < 0) Then
        Call MsgBox("Device with address 89.10.38.97 could" & _
            "not be found", vbExclamation)
    End If

    ' Determine maximum peak in the range 1-2MHZ
    Call RSDLLibwrt(ud, "*RST", ibsta, iberr, ibcnt1)
    Call RSDLLibwrt(ud, "INIT:CONT OFF", ibsta, iberr, ibcnt1)
    Call RSDLLibwrt(ud, "FREQ:START 1MHZ", ibsta, iberr, ibcnt1)
    Call RSDLLibwrt(ud, "FREQ:STOP 2MHZ", ibsta, iberr, ibcnt1)
    Call RSDLLibwrt(ud, "INIT:IMM;*WAI", ibsta, iberr, ibcnt1)
    Call RSDLLibwrt(ud, "CALC:MARK:MAX;Y?", ibsta, iberr, ibcnt1)
    Response = Space$(100)
    Call RSDLLibrd(ud, Response, ibsta, iberr, ibcnt1)
    Response = RTrim(Response) ' Cut off space

    ' Insert value in current document (Winword)
    Selection.InsertBefore (Response)
    Selection.Collapse (wdCollapseEnd)

    ' Terminate connection to measuring instrument
    Call RSDLLibonl(ud, 0, ibsta, iberr, ibcnt1)

End Sub
```

The entry of the peak value in the Winword document can be replaced as follows for Excel:

```
' Insert value in current document (Excel)
ActiveCell.FormulaR1C1 = Response
```

## C / C++

### Programming Hint:

- Access to the functions of the RSIB.DLL or RSIB32.DLL (Windows platforms)

The functions of the RSIB.DLL or RSIB32.DLL are declared in the header file RSIB.H. The DLL functions can be linked to a C/C++ program in different ways.

1. Enter one of the supplied import libraries (RSIB.LIB or RSIB32.DLL) into the linker options.
2. Load the library using the function `LoadLibrary()` during runtime and determine the function pointers of the DLL functions using `GetProcAddress()`. Before the end of the program, the RSIB.DLL must be unloaded again using the function `FreeLibrary()`.

When import libraries are used, the DLL is automatically loaded immediately before the application is started. At the end of the program, the DLL is unloaded again unless it is still used by other applications.

- Access to `libsib.so` functions (Unix platforms)

The functions of `libsib.so` are declared in the header file RSIB.H. Upper/lower case characters for file names are typically observed under Unix. The library functions are linked to a C/C++ program by entering the `-libsib` linker option.

The *shared library* `libsib.so` is automatically loaded on starting the application. The accessibility (for example via standard path) of the library must be ensured. Refer to the beginning of this main chapter under „Unix Environment“.

- Query of strings

If instrument responses are to be further processed as strings, a zero termination must be appended.

Example:

```
char buffer[100];
...
RSDLLibrd( ud, buffer, &ibsta, &iberr, &ibcntl );
buffer[ibcntl] = 0;
```

**Programming example:**

In the following C program, a single sweep is started on the instrument with the IP address 89.10.38.97 and a marker is set to the maximum level. Before the maximum level can be determined, the sweep must be terminated. Synchronization to the end of the sweep is made by triggering a service request at the end of the sweep with command "\*OPC" (operation complete). The control program waits for the SRQ with the function RSDLLWaitSrq(). Then the maximum level is determined ("CALC:MARK:MAX") and the level is read out ("Y?"). Prior to readout a check is made with serial poll whether data are available (MAV bit set in status register(only for instruments with Windows NT controller).

**Note:** Address '@local' and DLL rsib.dll must be used for instruments with MS-DOS controller.

```
#define MAX_RESP_LEN 100

short          ibsta, iberr;
unsigned long  ibcntl;
short         ud;
short         srq;
char          Maxlevel[MAX_RESP_LEN];
char          spr;
// Determining the handle for the instrument
ud = RSDLLibfind( "89.10.38.97", &ibsta, &iberr, &ibcntl );

// If instrument exists
if ( ud >= 0 ) {

    // Setting timeout for RSDLLWaitSrq() to 10 seconds
    RSDLLibtmo( ud, 10, &ibsta, &iberr, &ibcntl );

    // Activate SRQ generation through event status register (ESR)
    // and enable ESB bit of SRE register
    RSDLLibrwt( ud, "*ESE 1;*SRE 32", &ibsta, &iberr, &ibcntl );

    // Set single sweep, trigger sweep
    // and generate SRQ at the end of the sweep with "*OPC"
    RSDLLibrwt( ud, "INIT:CONT off;INIT;*OPC", &ibsta, &iberr, &ibcntl );

    // Wait for SRQ (end of sweep)
    RSDLLWaitSrq( ud, &srq, &ibsta, &iberr, &ibcntl );

    // Clear RQS/MSS bit
    RSDLLibrsp( ud, &spr, &ibsta, &iberr, &ibcntl );

    // If sweep is terminated
    if (srq) {

        // Set marker to first maximum and query level
        RSDLLibrwt( ud, "CALC:MARK:MAX;Y?", &ibsta, &iberr, &ibcntl );

        // Check if data are available (MAV bit in status register set)
        RSDLLibrsp( ud, &spr, &ibsta, &iberr, &ibcntl );
        if (spr & 0x10) {
            // then read out data
            RSDLLilrd( ud, MaxPegel, MAX_RESP_LEN, &ibsta, &iberr, &ibcntl );
        }
    }
    // end connection to instrument
    RSDLLibonl (ud, 0, &ibsta, &iberr, &ibcntl );
}

else {
    ; // Error - instrument not found
}
}
```



# Contents - Chapter 8 "Maintenance and Instrument Interfaces"

<b>8 Maintenance and Instrument Interfaces .....</b>	<b>8.1</b>
<b>Maintenance .....</b>	<b>8.1</b>
Mechanical Maintenance .....	8.1
Electrical Maintenance.....	8.1
Testing the Level Measuring Accuracy .....	8.1
Testing the Frequency Accuracy .....	8.1
<b>Instrument Interfaces .....</b>	<b>8.2</b>
IEC Bus Interface .....	8.2
Interface Characteristics.....	8.2
Bus Lines.....	8.3
Interface Functions.....	8.4
IEC Bus Messages.....	8.4
Interface Messages .....	8.4
Instrument Messages.....	8.5
RS-232-C Interface.....	8.6
Interface Characteristics.....	8.6
Signal Lines .....	8.6
Interface Functions.....	8.7
Transmission Parameters .....	8.7
Handshake .....	8.8
RSIB Interface .....	8.10
Windows Environment .....	8.10
Unix Environment .....	8.11
RSIB Interface Functions .....	8.12
Variables ibsta, iberr, ibcntl .....	8.12
List of Interface Functions .....	8.13
Description of Interface Functions.....	8.14
User Interface (USER).....	8.21
Printer Interface (LPT) .....	8.22
Measurement Converters (PROBE CODE).....	8.23
Probe Connector (PROBE POWER).....	8.23
AF-Output (AF OUTPUT) .....	8.24
IF Output 21.4 MHz (21.4 MHz OUT).....	8.24
Video Output (VIDEO OUT) .....	8.24
Reference Output/Input (EXT REF IN/OUT) .....	8.24
Sweep Output (SWEEP) .....	8.24
External Trigger Input (EXT TRIGGER/GATE) .....	8.24
Noise Source Control (NOISE SOURCE) .....	8.24
External Keyboard (KEYBOARD).....	8.25
Mouse Connector (MOUSE).....	8.25
Monitor Connector (MONITOR).....	8.25



## 8 Maintenance and Instrument Interfaces

The following chapter contains information on the maintenance of the FSE and on the instrument interfaces.

The address of our support center and a list of all Rohde & Schwarz service centers can be found at the beginning of this manual.

### Maintenance

#### Mechanical Maintenance

The FSE does not require any mechanical maintenance. The front panel can be cleaned from time to time using a damp, soft cloth.

#### Electrical Maintenance

##### Testing the Level Measuring Accuracy

Due to the total calibration facility by means of the built-in calibration generator, high long-term stability of the level measuring characteristics is guaranteed. It is recommended to check the measuring accuracy every two years according to the performance test. Reprogramming of the correction data by a R&S servicing shop is necessary, if tolerances are exceeded.

##### Testing the Frequency Accuracy

The frequency accuracy of the reference oscillator is to be checked once a year according to section 5. It is not necessary to perform this test if the instrument is operated using an external reference.

Test utility:                    Frequency counter or signal generator

Test setup:                    Measurement with frequency counter  
Connect frequency counter to the REF OUT/IN socket at the rear of the instrument.

Measurement with signal generator  
Apply signal with 1GHz, -10dBm to RFin.

Measurement:                Settings on FSE:

```
[CENTER      1000 MHz]
[SPAN        0 MHz]
[REF REF LEVEL -10 dBm]
[MARKER COUNT  ON
COUNTER RESOL 0.1 Hz]
```

Activate internal frequency counter (marker function)

## Instrument Interfaces

### IEC Bus Interface

The standard instrument is equipped with an IEC/IEEE Bus connector. An IEEE 488 interface connector is located on the rear panel of the FSE. An external controller for remote control of the instrument can be connected via the IEEE 488 interface connector using a shielded cable.

A further optional IEC/IEEE-bus interface can be installed in the FSE and is, with an installed computer option, assigned to the controller. This interface can be controlled by standard software (R&S-Basic, QUICK-Basic, etc.). It enables the remote control of the instrument via an external link to the two IEC/IEEE-bus interfaces and in addition the control of other equipment via the IEC/IEEE-bus connector at the rear of the unit (eg control of a complete test setup).

The following section describes the first IEC Bus interface over which the instrument can be remotely controlled. The characteristics of the PC2A/PC-AT controller interface depend upon the user-installed software running on the controller and is, therefore, not described here.

### Interface Characteristics

- 8-bit parallel data transfer
- bidirectional data transfer
- three-line handshake
- high data transfer rate of max. 350 kbyte/s
- up to 15 instruments can be connected
- maximal length of the interconnecting cables 15 m (single connection, 2m)
- wired-OR connection if several instruments are connected in parallel.

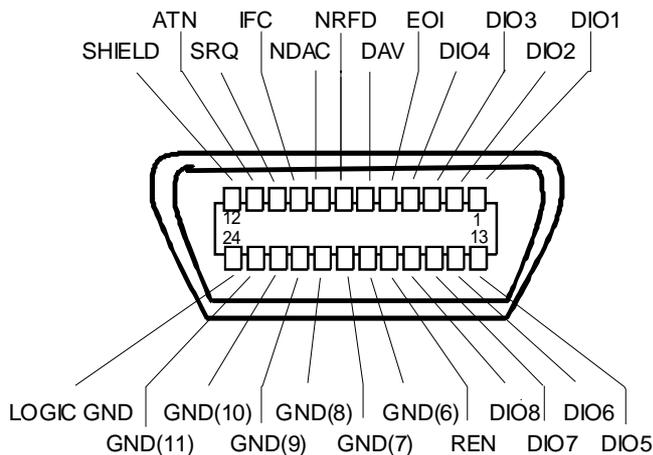


Fig. 8-1 Pin assignment of IEC-Bus interface

## Bus Lines

### 1. Data bus with 8 lines DIO 1 to DIO 8.

The transmission is bit-parallel and byte-serial in the ASCII/ISO code. DIO1 is the least significant, DIO8 the most significant bit.

### 2. Control bus with 5 lines.

**IFC (Interface Clear),**

active low resets the interfaces of the devices connected to the default setting.

**ATN (Attention),**

active low signals the transmission of interface messages

inactive high signals the transmission of device messages.

**SRQ (Service Request),**

active low enables a device connected to send a service request to the controller.

**REN (Remote Enable),**

active low permits the switch over to remote control.

**EOI (End or Identify),**

has two functions in connection with ATN:

active low marks the end of data transmission when ATN=high

active low triggers a parallel poll when ATN=low.

### 3. Handshake bus with three lines.

**DAV (Data Valid),**

active low signals a valid data byte on the data bus.

**NRFD (Not Ready For Data),**

active low signals that one of the devices connected is not ready for data transfer .

**NDAC (Not Data Accepted),**

active low as long as the device connected is accepting the data present on the data bus.

**Interface Functions**

Instruments which can be remote controlled via the IEC bus can be equipped with different interface functions. Table 8-1 lists the interface functions appropriate for the instrument.

Table 8-1 Interface functions

<b>Control character</b>	<b>Interface function</b>
SH1	Handshake source function (source handshake), full capability
AH1	Handshake sink function (acceptor handshake), full capability
L4	Listener function, full capability, deaddressed by MTA.
T6	Talker function, full capability, ability to respond to serial poll, deaddressed by MLA
SR1	Service request function (Service Request), full capability
PP1	Parallel poll function, full capability
RL1	Remote/Local switch over function, full capability
DC1	Reset function (Device Clear), full capability
DT1	Trigger function (Device Trigger), full capability
C12	Controller function, capability to send interface messages, to accept or relinquish the controller function

**IEC Bus Messages**

The messages transferred via the data lines of the IEC bus can be divided into two groups:

- **interface messages**
- and
- **instrument messages.**

**Interface Messages**

Interface messages are transferred on the data lines of the IEC Bus when the "ATN" control line is active (LOW). They are used for communication between controller and instruments and can only be sent by the controller which currently has control of the IEC Bus.

### Universal Commands

The universal commands are encoded 10 - 1F hex. They affect all instruments connected to the bus without addressing.

Table 8-2 Universal Commands

Command	QuickBASIC command	Effect on the instrument
DCL (Device Clear)	IBCMD (controller%, CHR\$(20))	Aborts the processing of the commands just received and sets the command processing software to a defined initial state. Does not change the instrument settings.
IFC (Interface Clear)	IBSIC (controller%)	Resets the interfaces to the default setting.
LLO (Local Lockout)	IBCMD (controller%, CHR\$(17))	The LOC/IEC ADDR key is disabled.
SPE (Serial Poll Enable)	IBCMD (controller%, CHR\$(24))	Ready for serial poll.
SPD (Serial Poll Disable)	IBCMD (controller%, CHR\$(25))	End of serial poll.
PPU (Parallel Poll Unconfigure)	IBCMD (controller%, CHR\$(21))	End of the parallel-poll state.

### Addressed Commands

The addressed commands are encoded 00 - 0F hex. They are only effective for instruments addressed as listeners.

Table 8-3 Addressed Commands

Command	QuickBASIC command	Effect on the instrument
SDC (Selected Device Clear)	IBCLR (device%)	Aborts the processing of the commands just received and sets the command processing software to a defined initial state. Does not change the instrument setting.
GTL (Go to Local)	IBLOC (device%)	Transition to the "Local" state (manual control).
PPC (Parallel Poll Configure)	IBPPC (device%, data%)	Configure instrument for parallel poll. Additionally, the QuickBASIC command executes PPE/PPD.

### Instrument Messages

Instrument messages are transferred on the data lines of the IEC bus when the "ATN" control line is not active. ASCII code is used.

Structure and syntax of the instrument messages are described in Chapter 5. The commands are listed and explained in detail in Chapter 6.

## RS-232-C Interface

The standard FSE is equipped with two serial interfaces (RS-232-C). The RS-232-C interfaces are two independent, remote-control channels, both of which may be active at the same time. The programming and interrogation commands affect the same instrument hardware. The interfaces can be set up manually in the *SETUP-GENERAL SETUP* menu in the *COM PORT1/2* table.

Each of the active RS-232-C interfaces is assigned to one of the 9-pin connectors located on the rear panel. Interface 1 is assigned to the connector COM1 and Interface 2 is assigned to the connector COM2.

### Interface Characteristics

- Serial data transmission in asynchronous mode
- Bidirectional data transfer via two separate lines
- Transmission rate selectable from 110 to 19200 baud
- Logic '0' signal from +3 V to +15 V
- Logic '1' signal from -15 V to -3 V
- An external instrument (controller) can be connected.
- Software handshake (XON, XOFF)
- Hardware handshake

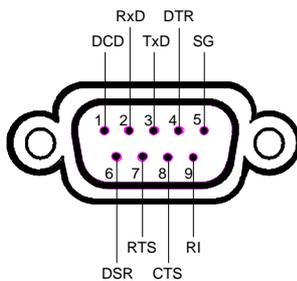


Fig. 8-2 Pin assignment of the RS-232-C interface

## Signal Lines

### 1. Data lines

The data transmission is bit-serial in ASCII code starting with the LSB. Two lines, **RxD** and **TxD** are necessary as the minimum requirement for transmission; however, no hardware handshake is possible. For handshaking, only the XON/XOFF software handshake protocol can be used .

#### **RxD** (Receive Data)

Input, LOW = logic '1', HIGH = logic '0'.

Data line, local terminal receives data from remote station.

#### **TxD** (Transmit Data)

Output, LOW = logic '1', HIGH = logic '0'.

Data line, local terminal transmits data to remote station.

### 2. Control lines

**DCD** (Data Carrier Detect),

*Not used in FSE.*

**DTR** (Data Terminal Ready),

Output, active LOW,

Indicates that the local terminal is ready to receive data.

**DSR** (Data Set Ready),  
Input, active LOW,  
Indicates that the remote station is ready to receive data.

**RTS** (Request To Send),  
Output, active LOW.  
Indicates that the local terminal wants to transmit data.

**CTS** (Clear To Send),  
Input, active LOW.  
Used to tell the local terminal that the remote station is ready to receive data.

**RI** (Ring Indicator),  
*Not used in FSE.*

### Interface Functions

For interface control, several strings are defined and control characters are reserved which are based upon IEC-IEEE bus control.

Table 8-4 Control strings or control characters of the RS-232 interface

Control string or character	Interface function
"@REM"	Switch over to remote
"@LOC"	Switch over to local
<Ctrl Q> 11 Hex	Enables character output
<Ctrl S> 13 Hex	Inhibits character output
0D Hex, 0A Hex	Terminator <CR>, <LF>

### Transmission Parameters

To ensure error-free data transmission, the parameters of the instrument and the controller must have the same settings. The parameters are defined in the *SETUP-GENERAL SETUP* menu.

**Transmission rate (baud rate)** the following transmission rates can be set in the analyzer:  
110, 300, 600, 1200, 2400, 4800, 9600, 19200.

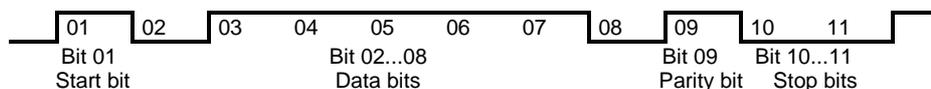
**Data bits** Data transmission is in 7- or 8-bit ASCII code. The first bit transmitted is the LSB (least significant bit).

**Start bit** Each data byte starts with a start bit. The falling edge of the start bit indicates the beginning of the data byte.

**Parity bit** In order to detect errors, a parity bit may be transmitted. No parity, even parity or odd parity may be selected. In addition, the parity bit can be set to logic '0' or to logic '1'.

**Stop bits** The transmission of a data byte is terminated by 1, 1.5 or 2 stop bits.

**Example:**  
Transmission of character 'A' (41 hex) in 7-bit ASCII code, with even parity and 2 stop bits:



## Handshake

### Software handshake

In the software handshake mode of operation, the data transfer is controlled using the two control characters XON / XOFF.

The instrument uses the control character XON to indicate that it is ready to receive data. If the receive buffer is full, it sends the XOFF character via the interface to the controller. The controller then interrupts the data output until it receives another XON from the instrument. The controller indicates to the instrument that it is ready to receive data in the same way.

### Cable required for software handshake

The connection of the instrument with a controller for software handshake is made by crossing the data lines. The following wiring diagram applies to a controller with a 9-pin or 25-pin configuration.

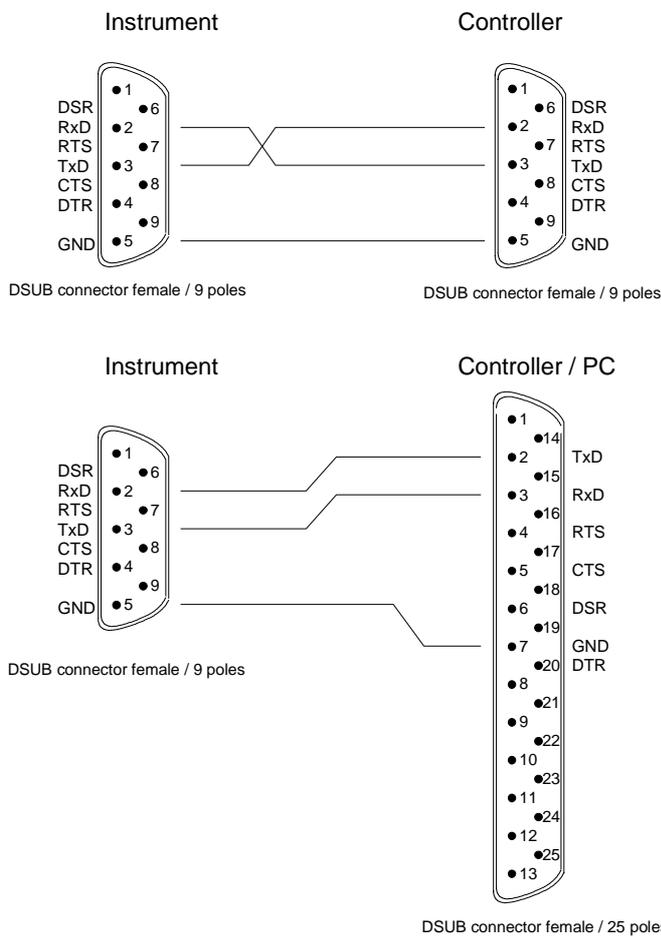


Fig. 8-3 Wiring of the data lines for software handshake

**Hardware handshake**

For hardware handshake, the instrument indicates that it is ready to receive data via the lines DTR and RTS. A logic '0' on both lines means 'ready' and a logic '1' means 'not ready'. The RTS line is always active (logic '0') as long as the serial interface is switched on. The DTR line thus controls the readiness of the instrument to receive data.

The readiness of the remote station to receive data is reported to the instrument via the CTS and DSR line. A logic '0' on both lines activates the data output and a logic '1' on both lines stops the data output of the instrument. The data output takes place via the TxD line.

**Cable for hardware handshake**

The connection of the instrument to a controller is made with a so-called zero modem cable. Here, the data, control and acknowledge lines must be crossed. The following wiring diagram applies to a controller with a 9-pin or 25-pin configuration.

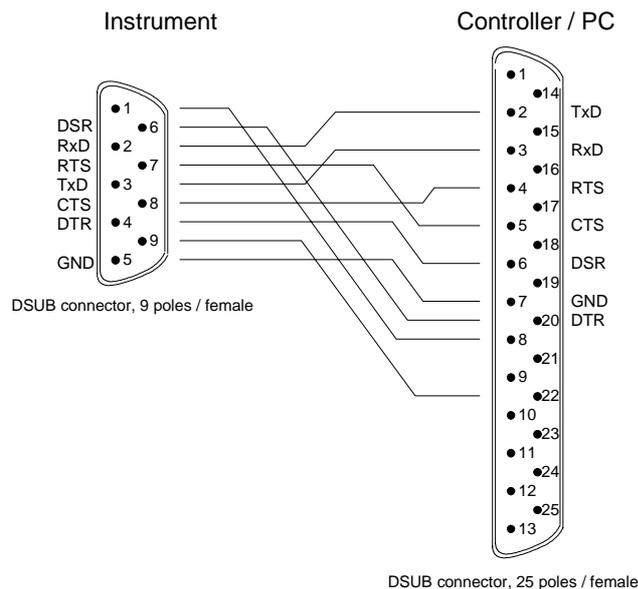
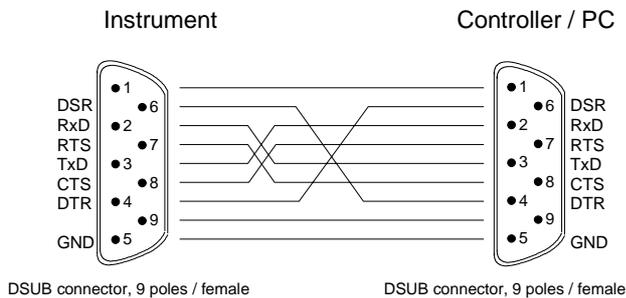


Fig. 8-4 Wiring of the data, control and acknowledge lines for hardware handshake

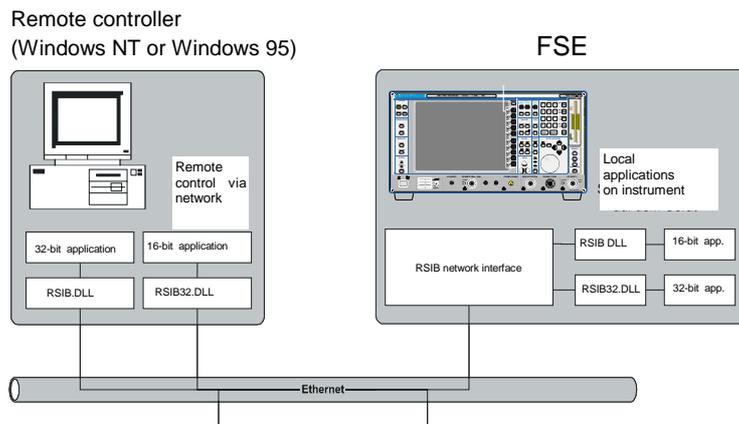
## RSIB Interface

The RSIB interface is only available if the FSE is equipped with a controller option, FSE-B15. It allows the control of FSE by Visual C++ and VisualBasic programs but also by using the Windows applications WinWord and Excel. The functions for the programming of control applications are provided by DLLs `RSIB32.DLL` (for 32-bit applications) and `RSIB.DLL` (for 16-bit applications). Instruments with MS DOS controller option are restricted to 16-bit applications and local control in a Windows environment.

A Unix operating system can be installed on an external computer in addition to a Windows operating system. In this case, the control applications are created either in C or C++. The supported Unix operating systems include:

- Sun Solaris 2.6 Sparc Station
- Sun Solaris 2.6 Intel Platform
- Red Hat Linux 6.2 x86 Processors

Control applications may run locally on the measuring instrument as well as on a remote controller in a network. With local control, the name '@local' is specified for link setup by means of function `RSDLLibfind()`. If '@local' is not specified, the `RSIB.DLL` interprets the name as an IP address and attempts to set up a link to the device via the Winsock interface.



## Windows Environment

To access the measuring instruments via the RSIB interface the DLL should be installed in the corresponding directories:

- `RSIB.DLL` in Windows NT `system` directory or control application directory.
- `RSIB32.DLL` in Windows NT `system32` directory or control application directory.

The DLLs are already installed in the corresponding directories on the measuring instruments.

For the different programming languages, files exist containing the declarations for the DLL functions and the error code definitions.

### Instruments with Windows NT controller:

Visual Basic (16 bit):	'RSIB.BAS'	(C:/R_S/Instr/RSIB)
Visual Basic (32 bit):	'RSIB32.BAS'	(C:/R_S/Instr/RSIB)
C:	'RSIB.H'	(C:/R_S/Instr/RSIB)

**Instruments with MS DOS controller:**

Visual Basic: 'RSIB.BAS' (D:/runtime/RSIB)  
 C: 'RSIBC.H' (D:/runtime/RSIB)  
 Winword: 'RSIBWB.BAS' (D:/runtime/RSIB)

Thus, the RSIB directory features a program 'RSIBCNTR.EXE' with SCPI commands which can be sent to the instrument by the RSIB interface. This program can be used as a test for the function of the interface. Transit-time module VBRUN3200.DLL in the path or the Windows directory are required.

The control is performed with Visual C++ or Visual Basic programs. The local link to the internal controller is established with the name '@local'. If a remote controller is used, the instrument IP address is to be indicated here.

**Via VisualBasic:** internal controller: ud = RSDLLibfind ("@local", ibsta, iberr, ibcntl)  
 remote controller: ud = RSDLLibfind ('82.1.1.200', ibsta, iberr, ibcntl)

The return to manual operation can be performed via the front panel (LOCAL key) or the RSIB interface.

**Via RSIB:** ...  
 ud = RSDLLibloc (ud, ibsta, iberr, ibcntl);  
 ...

**Unix Environment**

In order to access the measuring equipment via the RSIB interface, copy the `librsib.so.X.Y` file to a directory for which the control application has read rights. `X.Y` in the file name indicates the version number of the library, for example 1.0.

The `librsib.so.X.Y` library is created as a *shared library*. The applications using the library have nothing to do with versions. They simply link the library with the `lrsib` option. The following instructions have to be observed so that linking can be successfully performed and the library can be found during the program run:

File link:

- Use the operating system command `ln` to create a file with the link name `librsib.so` and pointing to `librsib.so.X.Y` in a directory for which the control application has read rights. Example:

```
$ ln -s /usr/lib/librsib.so.1.0 /usr/lib/librsib.so
```

Linker options for creating applications:

- `-lrsib`: import library
- `-Lxxx`: path information where the import library can be found. This is where the above file link has been created. Example: `-L/usr/lib`.

Additional linker options for creating applications (only under Solaris):

- `-Rxxx`: path information where the library is searched for during the program run: `-R/usr/lib`.

Run-time environment:

- Set environment variable `LD_RUN_PATH` to the directory in which the file link has been created. This is necessary only if `librsib.so` cannot be found in the standard search path of the operating system and the `-R` linker option (only Solaris) was not specified.

For C/C++ programming, the declarations of the library functions and the definition of error codes are contained in:

C/C++: 'RSIB.H' (C:\R\_S\Instr\RSIB)

## RSIB Interface Functions

This following sections describe all functions of libraries 'RSIB.DLL', 'RSIB32.DLL' or "librsib.so" by means of which control applications can be written.

### Variables `ibsta`, `iberr`, `ibcntl`

Same as with the National Instrument interface, successful execution of a command can be checked by means of the variables `ibsta`, `iberr` and `ibcntl`. To this end, references to the three variables are transferred to all RSIB functions. In addition, the status word `ibsta` is returned as a function value by all functions.

#### Status word `ibsta`

All functions send back a status word that provides information on the status of the RSIB interface. The following bits are defined:

Bit name	Bit	Hex code	Description
ERR	15	8000	This bit is set if an error occurs during a function call. If this bit is set, <code>iberr</code> contains an error code which specifies the error.
TIMO	14	4000	This bit is set if a timeout occurs during a function call. A timeout may occur in the following situations: <ul style="list-style-type: none"> <li>while waiting for an SRQ with the function <code>RSDLLWaitSrq()</code>.</li> <li>if no acknowledgment is received for data sent to an instrument with <code>RSDLLibwrt()</code> or <code>RSDLLilwrt()</code>.</li> <li>if no response from server to a data request with function <code>RSDLLibrd()</code> or <code>RSDLLilrd()</code>.</li> </ul>
CMPL	8	0100	This bit is set if the reply of the IEC/IEEE-bus parser is completely read. If a reply of the parser is read with the function <code>RSDLLilrd()</code> and the buffer length is not sufficient, the bit is cleared.

#### Error variable `iberr`

If the ERR bit (8000h) is set in the status word, `iberr` contains an error code that specifies the error. The RSIB has error codes of its own independent of the National Instrument interface.

Error	Error code	Description
IBERR_DEVICE_REGISTER	1	RSIB.DLL cannot register any new device.
IBERR_CONNECT	2	Link to the device has failed.
IBERR_NO_DEVICE	3	An interface function was called with an invalid device handle.
IBERR_MEM	4	No free memory available.
IBERR_TIMEOUT	5	Timeout has occurred.
IBERR_BUSY	6	The RSIB interface is blocked by a function not yet completed. Windows is not blocked, for example, by function <code>RSDLLibrd()</code> if data are still to be transmitted in response to this function. In this case a new call is possible. Further calls are however rejected by RSIB.DLL with error code <code>IBERR_BUSY</code> .
IBERR_FILE	7	Error in reading from or writing to a file.
IBERR_SEMA	8	Error upon creating or assigning a semaphore (only under Unix)

#### Count variable - `ibcntl`

The variable `ibcntl` is updated with the number of bytes transmitted on every read and write function call.

## List of Interface Functions

The DLL functions are matched to the interface functions for IEC/IEEE-bus programming from National Instruments. Functions supported by the DLLs are listed in the following table.

Function	Description
RSDLLibfind()	Provides a handle for accessing a device.
RSDLLibwrt()	Sends a string terminated with a null to a device.
RSDLLilwrt()	Sends a specific number of bytes to a device.
RSDLLibwrtf()	Sends the contents of a file to a device.
RSDLLibrd()	Reads data from a device into a string.
RSDLLilrd()	Reads a specific number of bytes from a device.
RSDLLibrdf()	Reads data from a device into a file.
RSDLLibtmo()	Sets timeout period for RSIB functions.
RSDLLibsre()	Switches a device to local or remote.
RSDLLibloc()	Switches a device temporarily to local.
RSDLLibeot()	Enables/disables END message in write operations.
RSDLLibrsp()	Starts a serial poll and reads the status byte, only with Windows NT controller
RSDLLibonl()	Switches the instrument online/offline, only with Windows NT controller
RSDLLTestSrq()	Checks if a device has generated an SRQ.
RSDLLWaitSrq()	Waits until a device generates an SRQ.
RSDLLSwapBytes	Swaps the byte sequence for binary numeric display (only required for non-Intel platforms)

## Description of Interface Functions

**Note:** The description of the UNIX format is only relevant to instruments with Windows NT controller.

### RSDLLibfind()

The function provides a handle for access to the device with the name udName.

**VB format:** Function RSDLLibfind (ByVal udName\$, ibsta%, iberr%, ibcntl&) As Integer

**C-format:** short FAR PASCAL RSDLLibfind( char far \*udName, short far \*ibsta, short far \*iberr, unsigned long far \*ibcntl)

**C format (Unix):** short RSDLLibfind( char \*udName, short \*ibsta, short \*iberr, unsigned long \*ibcntl)

**Parameter:** udName IP address of device

**Example:** ud = RSDLLibfind ("89.10.38.97", ibsta, iberr, ibcntl)

The function must be called before all other interface functions.

The function supplies a handle as a return value. The handle must be specified in all functions for accessing the instrument. If no instrument with the name udName is found, the handle will take on a negative value.

The local link on the instrument is established with the name '@local'. For setting up a link via a network, on the other hand, the IP address of the instrument must be given (eg '89.1.1.200').

### RSDLLibwrt

The function sends data to the instrument with the handle ud.

**VB format:** Function RSDLLibwrt (ByVal ud%, ByVal Wrt\$, ibsta%, iberr%, ibcntl&) As Integer

**C format:** short FAR PASCAL RSDLLibwrt( short ud, char far \*Wrt, short far \*ibsta, short far \*iberr, unsigned long far \*ibcntl )

**C format (Unix):** short RSDLLibwrt( short ud, char \*Wrt, short \*ibsta, short \*iberr, unsigned long \*ibcntl )

**Parameter:** ud Device handle  
Wrt String sent to the device.

**Example:** RSDLLibwrt(ud, "SENS:FREQ:STAR?", ibsta, iberr, ibcntl)

The function allows setting and query commands to be sent to the measuring instruments. The function RSDLLibeot() is used for defining whether the data are interpreted as a complete command.

**RSDLLilwrt**

The function sends `Cnt` bytes to the instrument with the handle `ud`.

**VB format:** Function RSDLLilwrt (ByVal ud%, ByVal Wrt\$, ByVal Cnt&, ibsta%, iberr%, ibcntl&) As Integer

**C format:** short FAR PASCAL RSDLLilwrt( short ud, char far \*Wrt, unsigned long Cnt, short far \*ibsta, short far \*iberr, unsigned long far \*ibcntl)

**C format (Unix):** short RSDLLilwrt( short ud, char \*Wrt, unsigned long Cnt, short \*ibsta, short \*iberr, unsigned long \*ibcntl)

**Parameter:**

ud	Device handle
Wrt	String sent to the IEC/IEEE-bus parser.
Cnt	Number of bytes sent to the instrument.

**Example:** RSDLLilwrt (ud, '.....', 100, ibsta, iberr, ibcntl)

This function sends data to an instrument same as function RSDLLibwrt() but with the difference that binary data, too, can be sent. The length of the data is determined not by a zero-terminated string but by the definition of `Cnt` bytes. If the data are to be terminated with EOS (0Ah), the EOS byte must be appended to the string.

**RSDLLibwrtf**

The function sends the contents of a file to the instrument with the handle `ud`.

**VB format:** Function RSDLLibwrtf (ByVal ud%, ByVal file\$, ibsta%, iberr%, ibcntl&) As Integer

**C format:** short FAR PASCAL RSDLLibwrtf( short ud, char far \*Wrt, short far \*ibsta, short far \*iberr, unsigned long far \*ibcntl )

**C format (Unix):** short RSDLLibwrtf( short ud, char \*Wrt, short \*ibsta, short \*iberr, unsigned long \*ibcntl )

**Parameter:**

ud	Device handle
file	File whose contents are sent to the instrument.

**Example:** RSDLLibrdf(ud, "C:\db.sav", ibsta, iberr, ibcntl)

The function allows setting and query commands to be sent to the measuring instruments. The function RSDLLibeot() is used for defining whether the data are interpreted as a complete command.

## RSDLLibrd()

The function reads data from the instrument into the string `Rd` with the handle `ud`.

**VB format:**           Function RSDLLibrd (ByVal ud%, ByVal Rd\$, ibsta%, iberr%,  
                          ibcntl&) As Integer

**C format:**           short FAR PASCAL RSDLLibrd( short ud, char far \*Rd, short far  
                          \*ibsta, short far \*iberr, unsigned long far \*ibcntl )

**C format (Unix):** short RSDLLibrd( short ud, char \*Rd, short \*ibsta, short  
                          \*iberr, unsigned long \*ibcntl )

**Parameter:**       ud                Device handle  
                      Rd                String into which the read data are copied.

**Example:**           RSDLLibrd (ud, Rd, ibsta, iberr, ibcntl)

This function fetches replies of the IEC/IEEE-bus parser in response to a query command.

For this, a string of sufficient length must be generated when programming in Visual Basic. This can be accomplished in the definition of the string or with the command `Space$()`.

Generation of a string of the length 100:       - Dim Rd as String \* 100  
  - Dim Rd as String  
  Rd = Space\$(100)

## RSDLLilrd

The function reads `Cnt` bytes from the instrument with the handle `ud`.

**VB format:**           Function RSDLLilrd (ByVal ud%, ByVal Rd\$, ByVal Cnt&, ibsta%,  
                          iberr%, ibcntl&) As Integer

**C format:**           short FAR PASCAL RSDLLilrd( short ud, char far \*Rd, unsigned  
                          long Cnt, short far \*ibsta, short far \*iberr, unsigned long  
                          far \*ibcntl )

**Parameter:**       ud                Device handle  
                      cnt               Maximum number of bytes copied to target string `Rd` by the  
  DLL.

**Example:**           RSDLLilrd (ud, RD, 100, ibsta, iberr, ibcntl)

The function reads data from an instrument same as function `RSDLLibrd()` but with the difference that here the maximum number of bytes is allowed to be copied to target string `Rd` to be defined with `Cnt`.

Writing beyond a string can thus be prevented with this function. The number of bytes cut off is lost.

## RSDLLibrdf()

Reads data from the instrument into the file `file` with the handle `ud`.

**VB format:**           Function RSDLLibrdf (ByVal ud%, ByVal file\$, ibsta%, iberr%,  
                          ibcntl&) As Integer

**C format:**           short FAR PASCAL RSDLLibrdf( short ud, char far \*file, short  
                          far \*ibsta, short far \*iberr, unsigned long far \*ibcntl )

**C format (Unix):** short RSDLLibrdf( short ud, char \*file, short \*ibsta, short  
                          \*iberr, unsigned long \*ibcntl )

**Parameter:**       ud                Device handle  
                      file             File into which the read data are written.

**Example:**           RSDLLibrdf (ud, c:\db.sav, ibsta, iberr, ibcntl)

This function serves to read replies of the IEC/IEEE-bus parser that are larger than 64 KB. The file name may include the drive and path.

**RSDLLibtmo**

The function defines the timeout for an instrument. The default value for the timeout is 5 seconds.

**VB format:** Function RSDLLibtmo (ByVal ud%, ByVal tmo%, ibsta%, iberr%, ibcntl&) As Integer

**C format:** void FAR PASCAL RSDLLibtmo( short ud, short tmo, short far \*ibsta, short far \*iberr, unsigned long far \*ibcntl )

**C format (Unix):** short RSDLLibtmo( short ud, short tmo, short \*ibsta, short \*iberr, unsigned long \*ibcntl )

**Parameter:**

ud	Device handle
tmo	Time in seconds

**Example:** RSDLLibtmo (ud, 10, ibsta, iberr, ibcntl)

Timeout can occur in the following cases:

- Waiting for an SRQ with the function RSDLLWaitSrq().
- Waiting for an acknowledgment for data sent to an instrument with RSDLLibwrt() or RSDLLilwrt().
- Waiting for a reply to a data request made with function RSDLLibrd() or RSDLLilrd().

**RSDLLibsre**

The function switches the instrument to LOCAL or REMOTE mode.

**VB format:** Function RSDLLibsre (ByVal ud%, ByVal v%, ibsta%, iberr%, ibcntl&) As Integer

**C format:** void FAR PASCAL RSDLLibsre( short ud, short v, short far \*ibsta, short far \*iberr, unsigned long far \*ibcntl )

**C format (Unix):** short RSDLLibsre( short ud, short v, short \*ibsta, short \*iberr, unsigned long \*ibcntl )

**Parameter:**

ud	Device handle
v	Instrument status
	0 - local
	1 - remote

**Example:** RSDLLibsre (ud, 0, ibsta, iberr, ibcntl)

**RSDLLibloc**

The function switches the instrument temporarily to LOCAL mode.

**VB format:** Function RSDLLibloc (ByVal ud%, ibsta%, iberr%, ibcntl&) As Integer

**C format:** void FAR PASCAL RSDLLibloc( short ud, short far \*ibsta, short far \*iberr, unsigned long far \*ibcntl)

**C format (Unix):** short RSDLLibloc( short ud, short \*ibsta, short \*iberr, unsigned long \*ibcntl)

**Parameter:** ud Device handle

**Example:** RSDLLibloc (ud, ibsta, iberr, ibcntl)

After switchover the instrument can be manually operated from the front panel. On the next access to the instrument by means of one of the functions of the RSIB.DLL, the instrument is switched again to the REMOTE state.

**RSDLLibeot**

The function enables the END message after write operations or disables it.

**VB format:** Function RSDLLibeot (ByVal ud%, ByVal v%, ibsta%, iberr%, ibcntl&) As Integer

**C format:** void FAR PASCAL RSDLLibeot( short ud, short v, short far \*ibsta, short far \*iberr, unsigned long far \*ibcntl)

**C format (Unix):** short RSDLLibsre( short ud, short v, short \*ibsta, short \*iberr, unsigned long \*ibcntl)

**Parameter:** ud Device handle.  
v 0 - no END message  
1 - send END message

**Example:** RSDLLibeot (ud, 1, ibsta, iberr, ibcntl)

If the END message is disabled, the data of a command can be sent by means of several successive write function calls. The END message must be enabled prior to the last data block.

**RSDLLibrsp**

The function carries out a Serial Poll and outputs the instrument status (only with Windows NT controller)..

**VB format:** Function RSDLLibrsp(ByVal ud%, spr%, ibsta%, iberr%, ibcntl&) As Integer

**C format:** void FAR PASCAL RSDLLibrsp( short ud, char far\* spr, short far \*ibsta, short far \*iberr, unsigned long far \*ibcntl)

**C format (Unix):** short RSDLLibrsp( short ud, char \*spr, short \*ibsta, short \*iberr, unsigned long \*ibcntl)

**Parameter:** ud Device handle.  
spr Reference to status byte

**Example:** RSDLLibrsp(ud, spr, ibsta, iberr, ibcntl)

## RSDLLibonl

The function switches the instrument to the 'online' or 'offline' state. When switching to 'offline' the interface is enabled and the device handle made invalid. The next call of RSDLLibfind sets up the communication again (only with Windows NT controller).

**VB format:** Function RSDLLibonl (ByVal ud%, ByVal v%, ibsta%, iberr%, ibcntl&) As Integer

**C format:** void FAR PASCAL RSDLLibonl( short ud, short v, short far \*ibsta, short far \*iberr, unsigned long far \*ibcntl)

**C format (Unix):** short RSDLLibonl( short ud, short v, short \*ibsta, short \*iberr, unsigned long \*ibcntl)

**Parameter:**

ud	Device handle.
v	Status of instrument
	0 - local
	1 - remote

**Example:** RSDLLibonl(ud, 0, ibsta, iberr, ibcntl)

## RSDLLTestSRQ

The function checks the status of the SRQ bit.

**VB format:** Function RSDLLTestSrq (ByVal ud%, Result%, ibsta%, iberr%, ibcntl&) As Integer

**C format:** void FAR PASCAL RSDLLTestSrq( short ud, short far \*result, short far \*ibsta, short far \*iberr, unsigned long far \*ibcntl)

**C format (Unix):** short RSDLLTestSrq( short ud, short \*result, short \*ibsta, short \*iberr, unsigned long \*ibcntl)

**Parameter:**

ud	Device handle
result returns	Reference to an integer value in which the library the status of the SRQ bit.
	0 - no SRQ
	1 - SRQ active, instrument has output a service request

**Example:** RSDLLTestSrq (ud, result%, ibsta, iberr, ibcntl)

The function corresponds to the function RSDLLWaitSrq but with the difference that RSDLLTestSRQ returns immediately the current status of the SRQ bit whereas RSDLLWaitSrq waits for an SRQ to occur.

### RSDLLWaitSrq

The function waits until the instrument triggers an SRQ with the handle ud.

**VB format:** Function RSDLLWaitSrq (ByVal ud%, Result%, ibsta%, iberr%, ibcntl&) As Integer

**C format:** void FAR PASCAL RSDLLWaitSrq( short ud, short far \*result, short far \*ibsta, short far \*iberr, unsigned long far \*ibcntl)

**C format (Unix):** short RSDLLWaitSrq( short ud, short \*result, short \*ibsta, short \*iberr, unsigned long \*ibcntl)

**Parameter:** ud Device handle  
 result Reference to an integer value in which the library returns the status of the SRQ bit.  
 0 - no SRQ occurred within the timeout  
 1 - SRQ occurred within the timeout

**Parameter:** RSDLLWaitSrq( ud, result, ibsta, iberr, ibcntl );

The function waits until one of the two following events occurs:

- The instrument triggers an SRQ.
- No SRQ occurs during the timeout defined with RSDLLibtmo( ).

### RSDLLSwapBytes

This function changes the display of binary numbers on non-Intel platforms (only with Windows NT controller)..

**VB format:** Not provided at present since it is required only on non-Intel platforms.

**C format:** void FAR PASCAL RSDLLSwapBytes( void far \*pArray, const long size, const long count)

**C format (Unix):** void RSDLLSwapBytes( void \*pArray, const long size, const long count)

**Parameter:** pArray Array in which modifications are made  
 size Size of a single element in pArray  
 count Number of elements in pArray

**Example:** RSDLLSwapBytes( Buffer, sizeof(float), ibcntl/sizeof(float))

This function swaps the display of various elements from *Big Endian* to *Little Endian* and vice versa. It is expected that a coherent storage area of elements of the same file type (*size* byte) is transferred to pArray. This function has no effect on Intel platforms.

Different types of processor architecture store data in different byte sequences. For example, Intel processors store data in the reverse order of Motorola processors. Comparison of byte sequences:

Byte sequence	Use in	Display in memory	Description
Big Endian	Motorola processors, network standard	Most significant byte at least significant address	The <i>most significant</i> byte is at the left end of the word.
Little Endian	Intel processors	Least significant byte at least significant address	The <i>most significant</i> byte is at the right end of the word.

## User Interface (USER)

The user interface, located on the rear panel of the FSE, is a 25 pin Cannon connector which provides access to the two user ports (Port A and Port B). Each port is 8 bits wide (A0 - A7 and B0 -B7) and can be configured either as output or as input. The voltage levels are TTL levels (Low < 0,4 V, High > 2 V).

In addition, an internal +5 V power supply voltage is provided. The maximum load current is 100 mA.

The pin assignments for the USER connector can be seen in the following diagram:

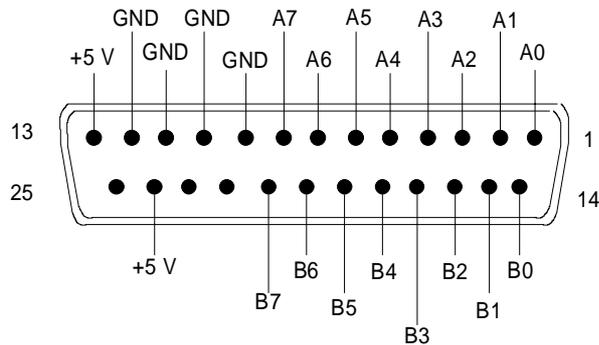
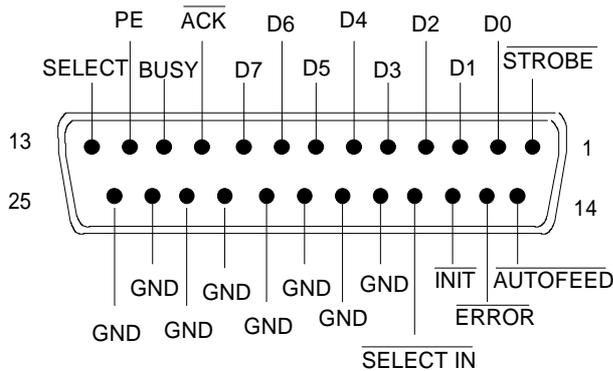


Fig. 8-5 Pin assignments for the USER connector.

The configuration of the user ports takes place in the *SETUP* menu (SETUP key) in the *GENERAL SETUP* sub-menu.

## Printer Interface (LPT)

The 25-pin LPT connector on the rear panel of the FSE is provided for the connection of a printer.. The LPT interface is compatible with the CENTRONICS printer interface.



Pin	Signal	Input (I) Output (O)	Description
1	STROBE	O	Pulse for transmitting a data byte, min. 1µs pulse width (active LOW)
2	D0	O	Data Line 0
3	D1	O	Data Line 1
4	D2	O	Data Line 2
5	D3	O	Data Line 3
6	D4	O	Data Line 4
7	D5	O	Data Line 5
8	D6	O	Data Line 6
9	D7	O	Data Line 7
10	ACK	I	Indicates that the printer is ready to receive the next byte. (active LOW)
11	BUSY	I	Signal is active when the printer cannot accept data. (active HIGH)
12	PE	I	Signal is active when the paper tray is empty. (active HIGH)
13	SELECT	I	Signal is active when the printer is selected. (active HIGH)
14	AUTOFEED	O	When signal is active, the printer automatically performs a linefeed after each line. (active LOW)
15	ERROR	I	This signal is high when the printer has no paper, is not selected or has an error status. (active LOW)
16	INIT	O	Initialise the printer. (active LOW)
17	SELECT IN	O	If signal is active, the codes DC1/DC3 are ignored by the printer. (active LOW).
18 - 25	GND		Ground connection.

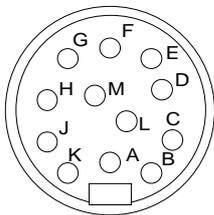
Fig. 8-6 Pin assignments for the LPT connector.

## Measurement Converters (PROBE CODE)

The PROBE CODE connector is used for supplying power to measurement converters and the providing the correct conversion factor coding to the FSE. Using it, the conversion factors for high-impedance probes, current converters and antennas can be encoded in 10dB steps. In addition, the quantity to be measured (field strength, current and voltage) is also passed to the FSE. Active converters can be supplied with  $\pm 10$  V via the PROBE CODE connector. The following R&S accessories are deliverable with the applicable coding:

- Wide band dipole 20...80 MHz HUF-Z2
- HF current converter 100 kHz..30 MHz ESH2-Z1
- VHF current converter 20...300 MHz ESV-Z1
- Current converter 20 Hz...100 MHz EZ-17
- Preamplifier 20...1000 MHz ESV-Z2.

The pins of the PROBE CODE connector are assigned as follows:



Pin	Signal
A	ground
B	+10 V, max. 50 mA
C	$\mu\text{V/m}$ (elec. field strength)
D	$\mu\text{A}$
E	10 dB
F	20 dB
G	40 dB
H	80 dB
K	- 10 V, max. 50 mA
M	factor sign inversion

Fig 8-7 Pin assignment for the 12-pin Tuchel connector.

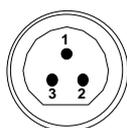
A 12-pin connector is used for coding (manufacturer: Tuchel, R&S part number 0018.5362.00, Tuchel type number: T3635/2). The input pins for implementing the code are connected to ground.

**Example:** An antenna for measurement of the electromagnetic field strength has an antenna factor of 10 dB, i.e., a field strength of 10 dB $\mu\text{V/m}$  produces a voltage at the RF input of 0 dB $\mu\text{V}$ .  
-> Pins C and E are connected to ground.

## Probe Connector (PROBE POWER)

To allow the connection of probes, the FSE provides the PROBE POWER power connector. It delivers the power supply voltages +15 V and -12,6 V and ground.

The connector is also suited for powering the high-impedance probes from Hewlett Packard.



Pin	Signal
1	GND
2	-12,6 V; max 150 mA
3	+15 V; max 150 mA

## AF-Output (AF OUTPUT)

A miniature telephone jack can be used at the AF OUTPUT connector to connect an external loudspeaker, a headphone set or, e.g., a LF voltmeter. The internal resistance is 10 ohms and the output voltage can be controlled in the *MARKER DEMOD* menu. When a jack is plugged in, the internal loudspeaker is automatically turned off.

## IF Output 21.4 MHz (21.4 MHz OUT)

The 21,4 MHz IF signal of the FSE is available at the IF 21.4 MHz OUT BNC connector. The bandwidth corresponds to the selected bandwidth for a resolution bandwidth between 2 kHz and 10 MHz. For a resolution bandwidth below 2 kHz, the bandwidth of the output is 5 kHz.

The signal level at the IF output is 0 dBm for signals which correspond to the selected reference level.

## Video Output (VIDEO OUT)

The video output delivers the logarithmic envelope curve of the IF signal independent of the level scaling on the display screen (linear or logarithmic). The bandwidth of the video signal always corresponds to one-half of the IF bandwidth and is not limited by the video filter in the measurement path.

## Reference Output/Input (EXT REF IN/OUT)

When the FSE is operated with the internal reference, the internal 10 MHz reference signal is also available at the REF IN/OUT connector and thus provides the capability of, e.g., synchronisation of external instruments to the FSE. The level is 1 V RMS at 50 ohms source impedance.

For operation with an external reference, this connector becomes an input connector. The internal reference oscillator is then synchronised to the reference applied to the connector. The reference frequency can be between 1 and 16 MHz in 1 MHz steps. The necessary level is > 0 dBm.

The selection of internal or external references takes place in the *SETUP* menu.

## Sweep Output (SWEEP)

The SWEEP BNC connector delivers a saw-tooth voltage between 0V and + 10 V which, for the frequency spectrum display, is proportional to the instantaneous frequency. The selected start frequency corresponds to a voltage of 0V and the stop frequency corresponds to a voltage of +10 V.

## External Trigger Input (EXT TRIGGER/GATE)

The EXT TRIG/GATE connector is used for controlling the measurement via an external signal.

Trigger voltage range: -5 V ... +5 V

## Noise Source Control (NOISE SOURCE)

Using the NOISE SOURCE connector, an external noise source can be switched on/off, in order, e.g., to measure the noise figure of Units Under Test (UUTs). Usual noise sources require a +28 V signal to be turned on. At 0 V, they are turned off. These switching voltages are delivered by the connector.

## External Keyboard (KEYBOARD)

A 5-pin DIN connector is provided to allow connecting an external keyboard. Because of its low interference radiation, the PSA-Z1 keyboard is recommended (Order No. 1009.5001.31). However, any other multi-function keyboard may also be used.

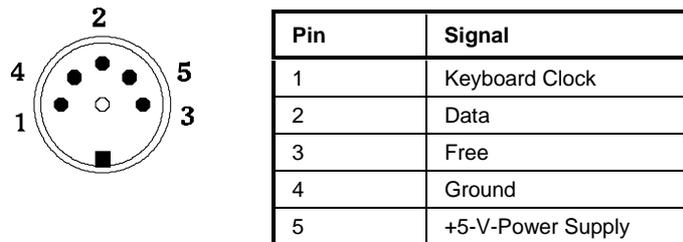


Fig. 8-8 Pin assignments of the KEYBOARD connector.

## Mouse Connector (MOUSE)

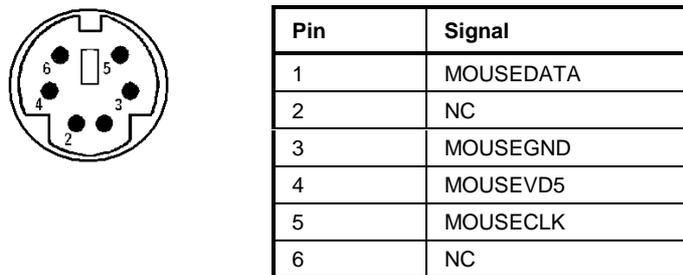


Fig 8-9 Pin assignments for the MOUSE connector.

## Monitor Connector (MONITOR)

Pin	Signal	Pin	Signal
1	R	9	NC
2	G	10	GND
3	B	11	MID0 (NC)
4	MID2 (NC)	12	MID1 (NC)
5	NC	13	HSYNC
6	R-GND	14	VSYSN
7	G-GND	15	NC
8	B-GND		

Fig. 8-10 Pin assignments of the MONITOR connector.



## Contents - Chapter 9 "Error Messages"

### 9 List of Error Messages

<b>SCPI-Specific Error Messages</b> .....	<b>9.1</b>
Command Error - Faulty command; sets bit 5 in the ESR register. ....	9.1
Execution Error - Error on execution of a command; sets bit 4 in the ESR register.....	9.4
Device Specific Error; sets bit 3 in the ESR register .....	9.7
Query Error - Error in data request; sets bit 2 in the ESR register .....	9.7



## 9 List of Error Messages

The following list contains the error messages for errors occurring in the instrument. The meaning of negative error codes is defined in SCPI, positive error codes mark errors specific of the instrument.

Error messages are entered in the error/event queue of the status reporting system in the remote control mode and can be queried with the command `SYSTEM:ERROR?`. The answer format of FSE to the command is as follows:

`<error code>, "<error text with queue query>; <remote control command concerned>"`

The indication of the remote control command with prefixed semicolon is optional.

Example:

The command `"TEST:COMMAND"` generates the following answer to the query `SYSTEM:ERROR?` :

`-113,"Undefined header;TEST:COMMAND"`

The table contains the error code in the left-hand column. In the right-hand column the error text being entered into the error/event queue or being displayed is printed in bold face. Below the error text, there is an explanation as to the respective error.

### SCPI-Specific Error Messages

No Error

Error code	Error text in the case of queue poll Error explanation
0	<b>No error</b> This message is output if the error queue does not contain any entries.

### Command Error - Faulty command; sets bit 5 in the ESR register.

Error code	Error text in the case of queue poll Error explanation
-100	<b>Command Error</b> The command is faulty or invalid.
-101	<b>Invalid Character</b> The command contains an invalid sign. Example: A header contains an ampersand, " <code>SENSe&amp;</code> ".
-102	<b>Syntax error</b> The command is invalid. Example: The command contains block data the instrument does not accept.
-103	<b>Invalid separator</b> The command contains an impermissible sign instead of a separator. Example: A semicolon is missing after the command.

Continuation: Command Error

Error code	Error text in the case of queue poll Error explanation
-104	<b>Data type error</b> The command contains an invalid value indication. Example: ON is indicated instead of a numeric value for frequency setting.
-105	<b>GET not allowed</b> A Group Execute Trigger (GET) is within a command line.
-108	<b>Parameter not allowed</b> The command contains too many parameters. Example: Command <b>SENSe:FREQuency:CENTer</b> permits only one frequency indication.
-109	<b>Missing parameter</b> The command contains too few parameters. Example: The command <b>SENSe:FREQuency:CENTer</b> requires a frequency indication.
-110	<b>Command header error</b> The header of the command is faulty.
-111	<b>Header separator error</b> The header contains an impermissible separator. Example: the header is not followed by a "White Space", " <b>*ESE255</b> "
-112	<b>Program mnemonic too long</b> The header contains more than 12 characters.
-113	<b>Undefined header</b> The header is not defined for the instrument. Example: <b>*XYZ</b> is undefined for every instrument.
-114	<b>Header suffix out of range</b> The header contains an impermissible numeric suffix. Example: <b>SENSe3</b> does not exist in the instrument.
-120	<b>Numeric data error</b> The command contains a faulty numeric parameter.
-121	<b>Invalid character in number</b> A number contains an invalid character. Example: An "A" in a decimal number or a "9" in an octal number.
-123	<b>Exponent too large</b> The absolute value of the exponent is greater than 32000.
-124	<b>Too many digits</b> The number includes too many digits.
-128	<b>Numeric data not allowed</b> The command includes a number which is not allowed at this position. Example: The command <b>INPut:COUPLing</b> requires indication of a text parameter.
-130	<b>Suffix error</b> The command contains a faulty suffix.
-131	<b>Invalid suffix</b> The suffix is invalid for this instrument. Example: nHz is not defined.
-134	<b>Suffix too long</b> The suffix contains more than 12 characters.

Continuation: Command Error

Error code	Error text in the case of queue poll Error explanation
-138	<b>Suffix not allowed</b> A suffix is not allowed for this command or at this position of the command. Example: The command *RCL does not permit a suffix to be indicated.
-140	<b>Character data error</b> The command contains a faulty text parameter
-141	<b>Invalid character data</b> The text parameter either contains an invalid character or it is invalid for this command. Example: Write error with parameter indication;INPut:COUPLing XC.
-144	<b>Character data too long</b> The text parameter contains more than 12 characters.
-148	<b>Character data not allowed</b> The text parameter is not allowed for this command or at this position of the command. Example: The command *RCL requires a number to be indicated.
-150	<b>String data error</b> The command contains a faulty string.
-151	<b>Invalid string data</b> The command contains a faulty string. Example: An END message has been received prior to the terminating apostrophe.
-158	<b>String data not allowed</b> The command contains a valid string at a position which is not allowed. Example: A text parameter is set in quotation marks, INPut:COUPLing "DC"
-160	<b>Block data error</b> The command contains faulty block data.
-161	<b>Invalid block data</b> The command contains faulty block data. Example: An END message was received prior to reception of the expected number of data.
-168	<b>Block data not allowed</b> The command contains valid block data at an impermissible position. Example: The command *RCL requires a number to be indicated.
-170	<b>Expression error</b> The command contains an invalid mathematical expression.
-171	<b>Invalid expression</b> The command contains an invalid mathematical expression. Example: The expression contains mismatching parentheses.
-178	<b>Expression data not allowed</b> The command contains a mathematical expression at an impermissible position.
-180	<b>Macro error</b> A faulty macro has been defined, or an error has occurred during execution of a macro.
-181	<b>Invalid outside macro definition</b> A macro parameter placeholder was encountered outside of a macro definition.
-183	<b>Invalid inside macro definition</b> A macro definition is syntactically wrong.
-184	<b>Macro parameter error</b> A command inside the macro definition has the wrong number or type of parameters.

## Execution Error - Error on execution of a command; sets bit 4 in the ESR register

Error code	Error text in the case of queue poll Error explanation
-200	<b>Execution error</b> Error on execution of the command.
-201	<b>Invalid while in local</b> The command is not executable while the device is in local due to a hard local control. Example: The device receives a command which would change the rotary knob state, but the device is in local so the command can not be executed.
-202	<b>Settings lost due to rtl</b> A setting associated with hard local control was lost when the device changed to LOCS from REMS or to LWLS from RWLS.
-210	<b>Trigger error</b> Error on triggering the device.
-211	<b>Trigger ignored</b> The trigger (GET, *TRG or trigger signal) was ignored because of device timing considerations. Example: The device was not ready to respond.
-212	<b>Arm ignored</b> An arming signal was ignored by the device.
-213	<b>Init ignored</b> Measurement initialisation was ignored as another measurement was already in progress.
-214	<b>Trigger deadlock</b> The trigger source for the initiation of measurement is set to GET and subsequent measurement is received. The measurement cannot be started until a GET is received, but the GET would cause an interrupted-error)
-215	<b>Arm deadlock</b> The trigger source for the initiation of measurement is set to GET and subsequent measurement is received. The measurement cannot be started until a GET is received, but the GET would cause an interrupted-error.
-220	<b>Parameter error</b> The command contains a faulty or invalid parameter.
-221	<b>Settings conflict</b> There is a conflict between setting of parameter value and instrument state.
-222	<b>Data out of range</b> The parameter value lies out of the permissible range of the instrument.
-223	<b>Too much data</b> The command contains too many data. Example: The instrument does not have sufficient storage space.
-224	<b>Illegal parameter value</b> The parameter value is invalid. Example: The text parameter is invalid , <b>TRIGger:SWEEp:SOURce TASTE</b>

Continuation: Execution Error

Error code	Error text in the case of queue poll Error explanation
-230	<b>Data corrupt or stale</b> The data are incomplete or invalid. Example: The instrument has aborted a measurement.
-231	<b>Data questionable</b> The measurement accuracy is suspect.
-240	<b>Hardware error</b> The command cannot be executed due to problems with the instrument hardware.
-241	<b>Hardware missing</b> Hardware is missing. Example: An option is not fitted.
-250	<b>Mass storage error</b> A mass storage error occurred.
-251	<b>Missing mass storage</b> The mass storage is missing. Example: An option is not installed.
-252	<b>Missing media</b> The media is missing. Example: There is no floppy in the floppy disk drive.
-253	<b>Corrupt media</b> The media is corrupt. Example: The floppy is bad or has the wrong format.
-254	<b>Media full</b> The media is full. Example: There is no room on the floppy.
-255	<b>Directory full</b> The media directory is full.
-256	<b>File name not found</b> The file name cannot be found on the media.
-257	<b>File name error</b> The file name is wrong. Example: An attempt is made to copy to a duplicate file name.
-258	<b>Media protected</b> The media is protected. Example: The write-protect tab on the floppy is present.
-260	<b>Expression error</b> The expression contains an error.
-261	<b>Math error in expression</b> The expression contains a math error. Example: Divide-by-zero.

Continuation: Execution Error

Error code	Error text in the case of queue poll Error explanation
-270	<b>Macro error</b> Error on the execution of a macro.
-271	<b>Macro syntax error</b> The macro definition contains a syntax error.
-272	<b>Macro execution error</b> The macro definition contains an error.
-273	<b>illegal macro label</b> An illegal macro label is defined in the *DMC command. Example: The label is too long. The label is identical with the common command header or contains an invalid header syntax.
-274	<b>Macro parameter error</b> The macro definition improperly uses a macro parameter placeholder.
-275	<b>Macro definition too long</b> The macro definition is too long.
-276	<b>Macro recursion error</b> The command sequence defined by the macro is trapped in a program loop. Example: The event that would allow the loop to be exited does not occur.
-277	<b>Macro redefinition not allowed</b> The macro label defined in the *DMC command is already defined elsewhere.
-278	<b>Macro header not found</b> The macro label in the *GMC? query is not yet defined.
-280	<b>Program error</b> Error on the execution of a down-loaded program.
-281	<b>Cannot create program</b> The program cannot be created.
-282	<b>illegal program name</b> The name of the program is illegal. Example: The name relates to a non-existing program.
-283	<b>illegal variable name</b> The inputted variable does not exist in the program.
-284	<b>Program currently running</b> The desired operation is not possible while the program is running. Example: A running program cannot be deleted.
-285	<b>Program syntax error</b> The down-loaded program contains a syntax error.
-286	<b>Program runtime error</b>

**Device Specific Error; sets bit 3 in the ESR register**

<b>Error code</b>	<b>Error test in the case of queue poll</b> Error explanation
-300	<b>Device-specific error</b> FSE-specific error not defined in greater detail.
-310	<b>System error</b> This error message suggests an error within the instrument. Please inform the R&S Service.
-311	<b>Memory error</b> Error in the instrument memory.
-312	<b>PUD memory lost</b> Loss of the protected user data stored using the *PUD command.
-313	<b>Calibration memory lost</b> Loss of the non-volatile calibration data stored using the *CAL? command.
-314	<b>Save/recall memory lost</b> Loss of the non-volatile data stored using the *SAV command.
-315	<b>Configuration memory lost</b> Loss of the non-volatile configuration data stored by the instrument.
-330	<b>Self-test failed</b> The selftest could not be executed.
-350	<b>Queue overflow</b> This error code is entered in the queue instead of the actual error code if the queue is full. It indicates that an error has occurred but not been accepted. The queue can accept 5 entries.

**Query Error - Error in data request; sets bit 2 in the ESR register**

<b>Error code</b>	<b>Error text in the case of queue poll</b> Error explanation
-400	<b>Query error</b> General error occurring when data are requested by a query.
-410	<b>Query INTERRUPTED</b> The query has been interrupted. Example: After a query, the instrument receives new data before the response has been sent completely.
-420	<b>Query UNTERMINATED</b> The query is incomplete. Example: The instrument is addressed as a talker and receives incomplete data.
-430	<b>Query DEADLOCKED</b> The query cannot be processed. Example: The input and output buffers are full, the instrument cannot continue operation.
-440	<b>Query UNTERMINATED after indefinite response</b> A query is in the same command line after a query which requests an indefinite response.



# 10 Index

## Note:

- The softkeys are listed alphabetically under the keyword "Softkey".
- For each softkey, the page in chapter 6 containing the description of the corresponding remote command is quoted in addition.
- The assignment between IEEE-bus commands and softkeys is described in Chapter 6, Section "Table of Softkeys with IEC/IEEE-Bus Command Assignment".
- Chapter 6 contains an alphabetical list of all IEEE-bus commands

## A

Abort	
hardcopy .....	4.51, 4.52
macro .....	4.49
ACP measurement .....	4.114
absolute/relative .....	4.119
bandwidth .....	4.116
channel spacing .....	4.117
channels .....	4.114
filter .....	4.116
limits .....	4.117
standard .....	4.115
Addressed command .....	8.5
Adjacent channel power measurement .....	4.114
Administrator identification .....	1.23
Alphanumeric parameter	
editing .....	3.17
AM modulation .....	4.204
Analog trace .....	4.165
Ascii # .....	5.14
Attenuation .....	4.100
Attenuator (tracking generator) .....	4.193
AUI connector .....	1.45, 1.74
Autopeak detector .....	4.163
Average .....	4.158
continuous sweep .....	4.159
signal per sweep .....	4.139
single sweep .....	4.159
summary markers .....	4.140
sweep count .....	4.158
Average detector .....	4.164
Axis labelling .....	3.7

## B

Bandwidth	
channel .....	4.116
occupied .....	4.124
resolution .....	4.171
video .....	4.172
Beeper .....	4.40
Block data .....	5.14
BNC connector .....	1.44, 1.73
Boolean parameter .....	5.13

## C

Calibration .....	4.9
method .....	4.201

CCVS signal .....	4.206
CD-ROM installation .....	1.36
Center frequency .....	4.87
Channel	
bandwidth .....	4.116
power measurement .....	4.118
power, absolute/relative .....	4.119
spacing .....	4.117
Characters, special .....	6.2
Clear/Write .....	4.157
Clock .....	4.39
Colon .....	5.14
COM1/2 interface .....	4.36, 4.42
Comma .....	5.14
Command	
# .....	5.14
addressed .....	8.5
colon .....	5.14
comma .....	5.14
header .....	5.10
line .....	5.12
long form .....	5.11
overlapping execution .....	5.17
query .....	5.12
question mark .....	5.12, 5.14
quotation mark .....	5.14
recognition .....	5.16
sequence .....	5.17
short form .....	5.11
structure .....	5.9
suffix .....	5.11
synchronization .....	5.17
syntax elements .....	5.14
universal .....	8.5
white space .....	5.14
Common commands .....	6.4
CONDition register part .....	5.19
Configuration .....	4.20
recall .....	4.75
reset .....	4.2
save .....	4.66
Copy	
file .....	4.69
limit line .....	4.150
trace .....	4.160
Coupling .....	4.170
default settings .....	4.173
define .....	4.176
Cursor keys .....	3.14

## D

D Lines	4.144
Data set	
creation	4.75
partial	4.73
recall	4.75
save	4.70
Date	4.45
dB*/MHz	4.97
dB $\mu$ A/MHz	4.97
dB $\mu$ A/mMHz	4.97
dB $\mu$ V/MHz	4.97
dB $\mu$ V/mMHz	4.97
dBmV/MHz	4.97
DCL	5.16
Default	
commands	6.1
instrument settings	4.2
Delete	
file	4.69
line of transducer table	4.26
macro	4.83
message	4.16
transducer factor/set	4.23
Delta marker	4.128
step size	4.132
Demodulation	4.109
Detector	
auto select	4.163
autopeak	4.163
average	4.164
max peak	4.163
min peak	4.163
RMS	4.164
sample	4.164
Device	
reset (hardcopy)	4.64
reset (overall)	4.2
status	4.13
DIFOVL	3.4
Directory	
create	4.69
rename	4.69
Disable	
front panel	3.19
keyboard	3.19
Disk formatting	4.69
Display	
configuration	4.3
energy-saving	1.21
mean value	4.139
rms value	4.139
Display mode	
full screen	3.9, 4.4
split screen	3.8, 4.4
Double dagger	5.14
Driver	
installation	1.75
NDIS	1.76
ODI	1.75
packet	1.78
printer	1.28
software	1.39

## E

Electrostatic discharge	1.18
ENABle register part	5.19
Energy saving mode	1.21

Enhancement labels	3.6
Entry	
abortion	3.16
alphanumeric parameters	3.17
mouse control	3.22
numeric parameter	3.16
table	3.18
termination	3.16
window	3.15
Error messages	9.1
Error-queue query	5.33
ESE (event status enable register)	5.22
ESR (event status register)	5.22
Ethernet Adapter	1.44, 1.73
EVENT register part	5.19
Event status enable register (ESE)	5.22
Event status register (ESR)	5.22
EXT ALC modulation	4.204
Ext Trig/Gate input	8.24
External noise source	4.32
ExtRef	3.4

## F

FFT filter	4.174
File	
copy	4.69
delete	4.69
rename	4.69
sort	4.69
Firmware	
options (enabling)	4.31
options (info)	4.14
update	1.38, 1.70, 4.47
version	4.13
FM modulation	4.204
Frequency	
axis labelling	3.7
counter	4.111
line	4.143
measurement window	4.84
offset	4.88
start	4.84
stop	4.86
zoom	4.93
Front panel	
disable	3.19
keyboard emulation	3.21, 3.23
FTP operation	1.55, 1.85
Full screen	3.9, 4.4
Function test	1.22
Fuse	1.19, 1.57

## G

GET (Group Execute Trigger)	5.16
GPIB	
address	4.34
interface	8.2

## H

Handshake	8.8
Hardcopy	
abort	4.51, 4.52
comments	4.57
format	4.59, 4.63
items	4.55

- output device..... 4.60
- position..... 4.56
- printer..... 4.58
- settings..... 4.54
- start..... 4.50, 4.52
- Hardware
  - configuration..... 4.14
  - indication of settings..... 3.5
  - installed options..... 4.14
- Header..... 5.10
- Help line editor..... 3.17
  
- I
- I/Q modulation ..... 4.205
- IEC/IEEE-bus
  - address ..... 4.34, 4.40
  - interface ..... 8.2
  - output device address ..... 4.63
- I/OVLD ..... 3.4
- Indication
  - hardware settings ..... 3.5
  - instrument settings ..... 3.6
  - marker information..... 3.5
  - screen ..... 3.4
- Input
  - attenuator..... 4.100
  - Ext Trig/Gate..... 8.24
  - external reference..... 8.24
- Input buffer ..... 5.15
- Installation
  - CD-ROM ..... 1.36
  - firmware update..... 1.38, 4.47
  - keyboard ..... 1.25
  - monitor ..... 1.26
  - mouse ..... 1.24
  - network printer..... 1.34
  - printer..... 1.28
  - rack ..... 1.19
  - Windows NT software ..... 1.39
- Instrument functions ..... 4.1
- Instrument settings
  - indication..... 3.6
  - power up ..... 4.76
  - preset..... 4.2, 4.76
- Interface
  - IEC/IEEE-bus ..... 8.2
  - printer..... 8.22
  - RS-232-C ..... 8.6
  - RSIB..... 8.10
- Interrupt..... 5.32
- IST flag..... 5.22
  
- K
- KERMIT..... 1.86
- Key
  - CAL ..... 4.9
  - CENTER ..... 4.87, 6.193
  - CONFIG ..... 4.68
  - COUPLING..... 4.170
  - cursor..... 3.14
  - D LINES ..... 4.143
  - DELTA..... 4.128
  - DISPLAY..... 4.3
  - HOLD..... 3.19
  - INFO ..... 4.13
  - INPUT..... 4.100
  - LIMITS ..... 4.147
  - LOCAL..... 4.49
  - MENU..... 3.12
  - MKR..... 4.141
  - MODE..... 4.18
  - NORMAL ..... 4.105
  - numeric keypad..... 3.13
  - PRESET ..... 4.2, 6.231
  - RANGE..... 4.98
  - RECALL..... 4.75
  - REF ..... 4.94
  - roll-key ..... 3.14
  - SAVE..... 4.70
  - SEARCH..... 4.133
  - SETTINGS..... 4.54
  - SETUP..... 4.20
  - SPAN..... 4.91
  - START (frequency)..... 4.84
  - START (hardcopy) ..... 4.50, 4.52, 6.122
  - STEP ..... 3.20
  - STOP..... 4.86
  - SWEEP..... 4.180
  - TRACE1 to 4..... 4.156
  - TRIGGER ..... 4.178
  - USER..... 4.80
- Keyboard
  - configuration ..... 4.47
  - connection ..... 1.25, 1.62
  - connector..... 8.25
  - disable ..... 3.19
  - external..... 3.21
  
- L
- Level
  - attenuation..... 4.100
  - control, external ..... 4.204
  - line ..... 4.145
  - maximum ..... 4.95
  - mixer..... 4.101
  - offset (tracking generator) ..... 4.193
  - range..... 4.98
  - reference..... 4.94
  - unit..... 4.96
- LF demodulation..... 4.109
- Limit line..... 4.147
  - copy..... 4.150
  - delete..... 4.150
  - edit..... 4.151
  - save..... 4.155
  - select ..... 4.148
  - shift..... 4.155
  - value ..... 4.154
- Line
  - display 1,2..... 4.145
  - frequency 1, 2 ..... 4.145
  - limit ..... 4.148
  - reference..... 4.145
  - threshold..... 4.145
  - time 1, 2 ..... 4.146
- LO Lvd..... 3.4
- LO Lvl ..... 3.4
- LO unl ..... 3.4
- Login/logout (NT controller) ..... 1.23
- Lower case..... 6.2
- LPT interface..... 8.22

- M**
- Macro
    - abort..... 4.49
    - definition..... 4.82
    - start..... 4.80
  - Maintenance..... 8.1
  - Manual operation..... 3.1
    - return to..... 4.49, 5.3
  - Marker..... 4.105
    - center..... 4.141
    - delta..... 4.128
    - demodulation..... 4.110
    - indication..... 3.5
    - info..... 4.109
    - n-dB-down..... 4.137
    - normal..... 4.105
    - peak..... 4.134, 4.141
    - search..... 4.133
    - search limit..... 4.137
    - signal track..... 4.108
    - step size..... 4.127
    - zoom..... 4.109
  - Max hold..... 4.159
  - Max peak detector..... 4.163
  - Mean power (GSM burst)..... 4.139
  - Measurement
    - frequency-converting..... 4.202
    - recall..... 4.75
    - save..... 4.66
    - transmission..... 4.194
    - window..... 4.3
  - Measurement converters..... 4.20
    - connector..... 8.22, 8.23
  - Memory
    - battery-backed-up..... 1.21
    - battery-powered..... 1.58
    - configuration..... 4.68
  - Menu overview..... 3.24
  - Menu switching..... 3.11
  - MICROSOFT NET operation..... 1.49, 1.83
  - Min hold..... 4.160
  - Min peak detector..... 4.163
  - Minimum search..... 4.134
  - Mixer level..... 4.101
  - Mode..... 4.18
    - signal analysis..... 4.84
    - tracking generator..... 4.192
  - Modification level of modules..... 4.14
  - Modulation
    - AM..... 4.204
    - EXT ALC..... 4.204
    - FM..... 4.204
    - I/Q..... 4.205
  - Modulation filter..... 4.116
  - Monitor
    - connecting..... 4.39
    - connection..... 1.26
    - connector..... 8.25
  - Mouse
    - configuration..... 4.46
    - connection..... 1.24, 1.58
    - connector..... 8.25
    - control..... 3.22
- N**
- NDIS (driver)..... 1.76
  - Network drivers..... 1.75
  - Network operating system
    - FTP..... 1.55, 1.85
    - MICROSOFT NET..... 1.49, 1.80
    - NOVELL NETWARE..... 1.49, 1.78, 1.81
    - TCP/IP..... 1.54, 1.85
    - Network printer connection..... 1.34
    - Noise power density measurement..... 4.112
    - Noise source, external..... 4.32
    - NOVELL NETWARE operation..... 1.49, 1.81
    - NT controller..... 1.23
    - NTRansition register part..... 5.19
    - Numeric keypad..... 3.13
    - Numeric parameter
      - editing..... 3.16
    - Numerical values (command)..... 5.13
- O**
- OCXO..... 3.4
  - ODI drivers..... 1.75
  - Offset frequency..... 4.88
  - Operating mode
    - signal analysis..... 4.84
    - tracking generator..... 4.192
  - Option
    - FSE-B3 - TV Demodulator..... 4.206
    - FSE-B5 - FFT Filter..... 1.42, 1.43
    - FSE-B8/B9/B10/B11 - Tracking Generator..... 4.192
    - FSE-B13 - 1 dB Attenuator..... 4.102, 4.103
    - FSE-B16 - Ethernet Adapter..... 1.44, 1.73
    - FSE-B17 - Second IEC/IEEE bus interface..... 1.40
  - Output
    - AF..... 8.22, 8.24
    - buffer..... 5.17
    - IF..... 8.24
    - level (tracking generator)..... 4.193
    - noise source control..... 8.24
    - reference..... 8.24
    - sweep..... 8.24
    - video out..... 8.24
  - Output device
    - formfeed..... 4.64
    - paperfeed..... 4.65
  - OVLD..... 3.4
- P**
- Packet driver..... 1.78
  - Parallel poll..... 5.33
  - Parallel poll enable register (PPE)..... 5.22
  - Parameter
    - block data..... 5.14
    - boolean..... 5.13
    - numerical values..... 5.13
    - string..... 5.14
    - text..... 5.14
  - Password
    - service function..... 4.33
    - Windows NT..... 1.23
  - Path..... 4.68
  - Peak
    - detector..... 4.161
    - excursion..... 4.135
    - search..... 4.134
  - Plotter connection..... 1.66
  - Power mean..... 4.139
  - Power measurement
    - adjacent channel..... 4.122
    - automatic optimisation of settings..... 4.125
    - bandwidth, occupied..... 4.124

channel..... 4.118  
channel configuration ..... 4.113  
signal/noise ..... 4.120  
PPE (parallel poll enable register)..... 5.22  
Preset..... 4.2  
Pre-trigger..... 4.190  
Printer connection..... 1.28, 1.66, 8.22  
Printing  
  abort..... 4.51  
  Configuration..... 4.54  
  start..... 4.50  
Probe Code connector..... 8.23  
Probe Power connector ..... 8.23  
PTRansition register part..... 5.19

## Q

Quasi analog display ..... 4.165  
Query..... 5.12, 5.33  
Question mark ..... 5.12, 5.14  
Quotation mark ..... 5.14

## R

Rack installation ..... 1.19, 1.56  
Range  
  level..... 4.98  
Recall data set..... 4.75  
Recording the correction data ..... 4.9  
Reference  
  dataset (tracking generator)..... 4.201  
  external ..... 4.31  
  line ..... 4.145  
Reference level..... 4.94  
  offset ..... 4.95  
Remote control  
  basics..... 5.1  
  IEC-bus ..... 5.3  
  indication ..... 4.49, 5.2  
  RS-232-C ..... 5.4  
  RSIB..... 5.6, 8.10  
  switch over ..... 5.2  
Rename  
  directory ..... 4.69  
  file ..... 4.69  
Reset  
  device..... 4.2  
  status reporting system ..... 5.34  
Resolution bandwidth ..... 4.171  
RF attenuation ..... 4.100  
  auto ..... 4.101  
  auto low distortion ..... 4.101  
  auto low noise ..... 4.101  
RF input..... 4.100  
RJ45 (star topology) ..... 1.45, 1.74  
RMS detector..... 4.164  
RMS value (summary marker) ..... 4.139  
Roll-key ..... 3.14  
RS-232-C  
  interface ..... 8.6  
  interface functions ..... 8.7  
  transmission parameters ..... 8.7  
RSIB interface ..... 8.10

## S

Sample detector ..... 4.164  
Save  
  configuration ..... 4.66  
  data set..... 4.70  
  limit line..... 4.155  
  measurement..... 4.66  
SCPI  
  conformance information..... 6.1  
  introduction ..... 5.9  
Screen..... 3.2, 4.4  
  full screen ..... 3.9  
  indications..... 3.4  
  split screen..... 3.9  
Search  
  limit ..... 4.137  
  minimum ..... 4.134  
  peak..... 4.134  
Self test..... 4.15  
Serial interface  
  configuration ..... 4.36, 4.42  
Serial poll ..... 5.32  
Service functions..... 4.32  
Service Pack ..... 1.39  
Service request (SRQ) ..... 5.21, 5.32  
  indication..... 4.49  
Service request enable register (SRE) ..... 5.21  
Setup ..... 4.20  
  general..... 4.34, 4.40  
Softkey  
  % POWER BANDWIDTH..... 4.117, 6.205  
  ACP STANDARD..... 4.115, 6.52  
  ACTIVE MKR / DELTA ..... 4.134  
  ACTIVE SCREEN A/B ..... 4.4  
  ADJACENT CHAN POWER..... 4.122, 6.50, 6.51  
  ADJUST CP SETTINGS ..... 4.125, 6.205  
  ADJUST TO TRACE..... 4.165, 4.166  
  ALL DELTA OFF..... 4.129, 6.10  
  ALL MARKER OFF..... 4.108, 6.39  
  ALL SUM MKR OFF ..... 4.140, 6.59  
  AM ..... 4.109, 4.110, 6.45  
  AMPERE..... 4.98, 6.62  
  ANALOG TR ON/OFF..... 4.165, 6.99  
  ANALYZER..... 4.18, 4.84, 6.130  
  APPEND NEW..... 4.167, 6.118  
  area ..... 3.10  
  ASCII COMMENT ..... 4.168, 6.118  
  ASCII CONFIG..... 4.167  
  ASCII EXPORT..... 4.167, 6.138  
  ATT SWITCHES ..... 4.17, 6.90  
  ATTEN AUTO LOW DIST ..... 4.101, 6.127  
  ATTEN AUTO LOW NOISE ..... 4.101, 6.127  
  ATTEN AUTO NORMAL ..... 4.101, 6.127  
  ATTEN STEP 1dB/10dB ..... 4.102, 4.104, 6.128  
  AUTO 0.1 \* RBW ..... 4.89, 6.194  
  AUTO 0.1 \* SPAN ..... 4.89, 6.194  
  AUTO 0.5 \* RBW ..... 4.90, 6.194  
  AUTO 0.5 \* SPAN ..... 4.90, 6.194  
  AUTO RECALL ..... 4.76, 6.136  
  AUTO SELECT ..... 4.163, 6.181  
  AUTO x \* RBW ..... 4.90, 6.194  
  AUTO x \* SPAN..... 4.90, 6.194  
  AVERAGE ..... 4.158, 6.98, 6.166  
  AVERAGE ON/OFF ..... 4.140, 6.59  
  BASELINE CLIPPING..... 4.146, 6.16  
  BLANK..... 4.158, 6.99  
  BRIGHTNESS..... 4.6, 6.93  
  C/N ..... 4.120, 6.50, 6.51  
  C/No ..... 4.120, 6.50, 6.51  
  CAL CORR ON/OFF..... 4.11, 6.64  
  CAL I/Q..... 4.10, 6.63

CAL LO SUPP.....	4.10, 6.64	DISPLAY COMMENT .....	4.7, 6.94
CAL LOG.....	4.10, 6.64	DISPLAY LINE 1/2.....	4.145, 6.15
CAL REFL OPEN.....	4.200, 6.172	EDIT ACP LIMITS.....	4.117, 6.33, 6.34, 6.35
CAL REFL SHORT.....	4.200, 6.172	EDIT COMMENT .....	4.71, 6.142
CAL RES BW.....	4.10, 6.63	EDIT LIMIT LINE.....	4.152, 6.22
CAL RESULTS.....	4.12	EDIT NAME .....	4.71, 4.76, 6.135, 6.137
CAL SHORT.....	4.10, 6.64	EDIT PATH.....	4.68, 4.71, 4.76, 4.167, 6.133, 6.137
CAL TOTAL.....	4.10, 6.63	EDIT TRD FACTOR.....	4.24, 6.174
CAL TRANS.....	4.195, 6.172	EDIT TRD SET .....	4.27, 6.176
CENTER FIXED.....	4.85, 4.86, 4.92, 6.194, 6.195	ENABLE ALL ITEMS .....	4.74, 4.79, 6.141
CENTER MANUAL.....	4.87, 6.193	ENABLE DEV1 / DEV2.....	4.59, 4.65
CH FILTER ON/OFF.....	4.116, 6.52	ENABLE OPTION.....	4.31
CHANNEL BANDWIDTH.....	4.116, 6.204	ENTER PASSWORD.....	4.33, 6.230
CHANNEL POWER.....	4.118, 6.50, 6.51	ENTER TEXT .....	4.57
CHANNEL SPACING.....	4.117, 6.203	EXCLUDE LO ON/OFF.....	4.135, 6.40
CLEAR ALL MESSAGES.....	4.16	EXECUTE TESTS .....	4.15, 6.7
CLEAR MESSAGE.....	4.16, 6.230	EXT ALC.....	4.204, 6.213
CLEAR/WRITE.....	4.157, 6.98	EXT AM.....	4.204, 6.212
COLOR ON/ OFF.....	4.55, 6.121	EXT FM .....	4.204, 6.213
COM PORT 1/2.....	4.36, 4.42, 6.227, 6.228	EXT I/Q.....	4.205, 6.212
COMMENT SCREEN A/B.....	4.57, 6.123	EXT REF FREQUENCY .....	4.31, 6.206
CONFIG.....	4.167	EXTERN (trigger).....	4.179, 6.235, 6.236
CONFIG DISPLAY.....	4.6	EXTERNAL KEYBOARD.....	4.47
CONTINUOUS SWEEP .....	4.180, 6.125	FIRMWARE UPDATE.....	4.47, 6.230
COPY.....	4.69, 6.134	FIRMWARE VERSION.....	4.13, 6.5
COPY (TRACE).....	4.160, 6.234	FM.....	4.109, 4.110, 6.45
COPY LIMIT LINE.....	4.150, 6.28	FORMAT DISK .....	4.69, 6.135
COPY SCREEN.....	4.55, 6.122	FREE RUN .....	4.178, 6.235
COPY TABLE.....	4.55, 6.123	FREQ AXIS LIN/LOG.....	4.85, 6.210
COPY TRACE.....	4.55, 6.124	FREQUENCY LINE 1/2.....	4.145, 6.17
COUNTER RESOL.....	4.112, 6.40	FREQUENCY OFFSET .....	4.88, 4.202, 6.196
COUPLING CONTROL.....	4.5, 6.131	FREQUENCY ON/OFF.....	4.7, 6.92
COUPLING DEFAULT .....	4.173, 6.168, 6.207	FULL PAGE.....	4.56, 6.124
COUPLING RATIO.....	4.176	FULL SCREEN.....	4.4, 6.92
CP/ACP ABS/REL.....	4.119, 6.205	FULL SPAN.....	4.92, 6.194
DATA ENTRY FIELD.....	4.8	GAP LENGTH.....	4.191, 6.210
DATA SET CLEAR.....	4.72, 6.138	GAP SWEEP ON/OFF.....	4.189, 6.209
DATA SET CLEAR ALL.....	4.72, 6.138	GAP SWEEP SETTINGS .....	4.190
DATA SET LIST.....	4.71	GATE ADJUST.....	4.186
DATAENTRY OPAQUE .....	4.8	GATE DELAY.....	4.185, 6.209
DATAENTRY X.....	4.8	GATE EXTERN.....	4.185, 6.209
DATAENTRY Y.....	4.8	GATE LENGTH.....	4.185, 6.209
DATE.....	4.45, 6.229	GATE LEVEL.....	4.184, 6.208
dB*/MHz.....	4.97, 6.62	GATE MODE LEVEL/EDGE .....	4.184, 6.208
dB $\mu$ A.....	4.97, 6.62	GATE ON / OFF.....	4.183, 6.208
dB $\mu$ V.....	4.97, 6.62	GATE POL.....	4.184, 6.208
dBm.....	4.97, 6.62	GATE RF POWER.....	4.185, 6.209
dBmV.....	4.97, 6.62	GATE SETTINGS.....	4.184
dBpW.....	4.97, 6.62	GENERAL SETUP.....	4.34, 4.40
DECIM SEP .....	4.167, 6.118	GPIO ADDRESS.....	4.34, 4.40, 6.226
DEFAULT COLORS.....	4.7, 6.93	GRID ABS/REL.....	4.95, 4.99, 6.96
DEFAULT CONFIG.....	4.74, 6.142	HARDCOPY DEVICE .....	4.58, 4.60, 6.121
DEFAULT POSITION.....	4.8	HARDWARE+OPTIONS.....	4.14, 6.6
DEFINE MACRO.....	4.82	HEADER ON/OFF.....	4.167, 6.118
DEFINE PAUSE.....	4.83	HOLD CONT ON/OFF.....	4.160, 6.99
DELETE.....	4.69, 6.135, 6.137	HORIZONTAL SCALING .....	4.5, 6.131
DELETE FACTOR/SET.....	4.23, 6.175, 6.177	INPUT CAL.....	4.32, 6.89
DELETE LIMIT LINE.....	4.150, 6.28	INPUT RF.....	4.32, 6.89
DELETE MACRO.....	4.83	INPUT SELECT .....	4.101, 4.102
DELETE VALUE (limit line).....	4.155	INSERT VALUE (limit line).....	4.155
DELTA 1 to 4.....	4.128, 6.9, 6.10, 6.11	KEY CLICK ON/OFF.....	4.40
DELTA 1/2.....	6.9, 6.10, 6.11	LAST SPAN.....	4.92
DELTA ABS REL.....	4.129, 6.10	LIMIT CHECK.....	4.117, 6.33, 6.34, 6.35
DELTA TO STEPSIZE .....	4.127	LINE (trigger).....	4.178, 6.235
DETECTOR.....	4.163	LINEAR/%.....	4.99, 6.98
DETECTOR AUTOPEAK.....	4.163, 6.181	LINEAR/dB .....	4.99, 6.98
DETECTOR AVERAGE.....	4.164, 6.181	LOCK ALL.....	3.19
DETECTOR MAX PEAK.....	4.163, 6.181	LOCK DATA .....	3.19
DETECTOR MIN PEAK.....	4.163, 6.181	LOG 10dB/20dB/50dB/100dB/120dB.....	4.98
DETECTOR RMS.....	4.164, 6.181	LOG MANUAL .....	4.99, 6.96, 6.98
DETECTOR SAMPLE.....	4.164, 6.181	LOGO ON/OFF.....	4.7, 6.92
DISABLE ALL ITEMS.....	4.74, 4.79, 6.142		

LOWER LEFT .....	4.56, 6.124	REF POINT LEVEL.....	4.130, 6.13
LOWER RIGHT .....	4.56, 6.124	REF POINT LVL OFFSET .....	4.130, 6.13
MACRO 1 to 7.....	4.81	REF POINT TIME .....	4.130, 6.13
MACRO TITLE.....	4.83	REF VALUE.....	4.198, 6.97
MAIN PLL BANDWIDTH .....	4.175, 6.170	REF VALUE POSITION.....	4.197, 6.98
MAKE DIRECTORY.....	4.69, 6.136	REFERENCE.....	4.33, 6.206
MARGIN.....	6.61	REFERENCE FIXED.....	4.129, 6.13
MARKER 1 to 4.....	4.106, 6.39, 6.41	REFERENCE INT/EXT.....	4.31, 6.206
MARKER 1/2.....	6.39, 6.41	REFERENCE LINE.....	4.145, 6.17
MARKER DEMOD.....	4.109, 4.110	REFERENCE POINT.....	4.130, 6.13
MARKER INFO 4.109, 6.14, 6.44, 6.51, 6.57, 6.58, 6.94		REFERENCE PROG .....	4.33, 6.206
MARKER ZOOM .....	4.109, 6.45	RENAME.....	4.69, 6.136
MAX HOLD .....	4.159, 6.98, 6.166	RES BW 3dB/6dB.....	4.172, 6.168
MAX LEVEL AUTO .....	4.95, 6.97	RES BW AUTO.....	4.171, 6.168
MAX LEVEL MANUAL.....	4.95, 6.97	RES BW MANUAL.....	4.172, 6.167
MEAN.....	4.139, 6.58	RESTORE .....	4.47
MIN .....	4.134, 6.12, 6.42	RF ATTEN MANUAL.....	4.100, 6.127
MIN HOLD.....	4.160, 6.98, 6.166	RF INPUT 50 OHM.....	4.101, 4.102, 6.128
MIXER LEVEL.....	4.101, 6.129	RF INPUT 75 OHM/RAM .....	4.101, 4.102, 6.129
MKR -> CENTER.....	4.141, 6.59	RF INPUT 75 OHM/RAZ.....	4.101, 4.102, 6.129
MKR -> CF STEPSIZE.....	4.142, 6.59	RF POWER (trigger).....	4.179, 6.235
MKR -> REF LEVEL.....	4.142, 6.60	RMS.....	4.139, 6.57
MKR -> START .....	4.142, 6.60	SATURATION.....	4.7, 6.93
MKR -> STOP.....	4.142, 6.60	SAVE LIMIT LINE.....	4.155
MKR -> TRACE.....	4.142, 6.10, 6.39	SCR. SAVER ON/OFF.....	4.7, 6.100
MKR DEMOD ON/OFF.....	4.109, 4.110, 6.46	SCR. SAVER TIME.....	4.7, 6.100
MKR STOP TIME.....	4.109, 4.110, 6.46	SCREEN A BARGRAPH.....	4.4
MKR TO STEPSIZE.....	4.127, 6.60	SCREEN A SWEEP.....	4.4
MODE COUPLED .....	4.5, 6.131	SCREEN COUPLING .....	4.5
MODULATION .....	4.203	SCREENS UNCOUPLED .....	4.5, 6.131
MONITOR CONNECTED .....	4.39	SEARCH LIMIT ON/OFF.....	4.137, 6.39
MOUSE.....	4.46	SELECT ITEMS.. 4.74, 4.79, 6.138, 6.139, 6.140, 6.141	
MOVE ZOOM START .....	4.93, 6.95	SELECT LIMIT LINE.....	4.148, 6.21, 6.22, 6.28
MOVE ZOOM STOP .....	4.93, 6.95	SELECT MACRO.....	4.83
MOVE ZOOM WINDOW .....	4.93, 6.96	SELECT MARKER.....	4.134
N dB DOWN.....	4.137, 6.44	SELECT OBJECT.....	4.6
NAME (limit line).....	4.153, 6.28	SELECT QUADRANT.....	4.56
NEW FACT/SET.....	4.24, 4.27, 6.173, 6.175	SELFTEST.....	4.15, 6.7
NEW LIMIT LINE.....	4.152	SERVICE.....	4.32, 6.89
NEXT MIN.....	4.135, 6.12, 6.42	SET CP REFERENCE.....	4.119, 6.205
NEXT MIN LEFT .....	4.135, 6.12, 6.42	SET NO. OF ADJ CHAN'S.....	4.114, 6.204
NEXT MIN RIGHT.....	4.135, 6.12, 6.42	SETTINGS DEVICE 1/2.....	4.58, 4.61
NEXT PEAK.....	4.134, 6.11, 6.41	SGL SWEEP DISP OFF .....	4.181, 6.126
NEXT PEAK LEFT .....	4.134, 6.12, 6.42	SHAPE FACT 60/3dB.....	4.138, 6.46
NEXT PEAK RIGHT.....	4.134, 6.11, 6.41	SHAPE FACT 60/6dB.....	4.138, 6.46
NOISE.....	4.112, 6.45	SHIFT X LIMIT LINE.....	4.155, 6.23
NOISE SOURCE.....	4.32, 6.89	SHIFT Y LIMIT LINE.....	4.155, 6.25, 6.26
NORMALIZE .....	4.196, 6.172	SIGNAL COUNT.....	4.111, 6.40
OCCUPIED PWR BANDW.....	4.124, 6.50, 6.51	SIGNAL TRACK.....	4.108, 6.47
OPTIONS.....	4.14, 4.31, 6.6	SINGLE SWEEP.....	4.180, 6.125
PEAK.....	4.134, 6.11, 6.41	SLOPE POS/NEG.....	4.179, 6.237
PEAK EXCURSION .....	4.135, 6.43	SORT MODE.....	4.69
PEAK HOLD ON/OFF .....	4.140, 6.59	SOURCE CAL.....	4.194
PHASE NOISE.....	4.131, 6.13	SOURCE ON/OFF.....	4.193, 6.143
POWER MEAS SETTINGS.....	4.114	SOURCE POWER.....	4.193, 6.213
POWER OFFSET.....	4.193, 6.213	SPAN / RBW AUTO [50].....	4.177, 6.168
PRE TRIGGER (gap sweep).....	4.190, 6.209	SPAN / RBW MANUAL.....	4.177, 6.168
PREDEFINED COLORS .....	4.7, 6.93	SPAN FIXED .....	4.84, 4.86, 4.88, 6.193, 6.195
PRESEL PEAK .....	4.11, 6.64	SPAN MANUAL .....	4.91, 6.194
PROBE CODE ON/OFF.....	4.98, 6.240	SPLIT SCREEN.....	4.4, 6.92
RBW / VBW MANUAL.....	4.177, 6.169	START FIXED .....	4.86, 4.88, 4.92, 6.193, 6.194, 6.195
RBW / VBW NOISE.....	4.177, 6.169	START MANUAL .....	4.84, 6.195
RBW / VBW PULSE.....	4.177, 6.169	STATISTICS.....	4.17, 6.90
RBW / VBW SINE [1].....	4.176, 6.169	STEPSIZE = CENTER.....	4.90
RBW <= NORM/FFT .....	4.174, 6.168	STEPSIZE AUTO.....	4.127, 6.14, 6.43
RBW 1kHz ANA/DIG .....	4.173, 6.168	STEPSIZE MANUAL.....	4.90, 4.127, 6.14, 6.43, 6.193
RBW UP/DOWN.....	4.173	STOP FIXED .....	4.84, 4.88, 4.92, 6.193, 6.194, 6.195
RECALL .....	4.199, 6.172	STOP MANUAL .....	4.86, 6.195
RECORD ON/OFF .....	4.82	SUM MKR.....	4.138, 6.52
REF LEVEL.....	4.95, 6.96	SUMMARY MARKER .....	4.139
REF LEVEL OFFSET.....	4.95, 6.97	SWEEP COUNT .....	4.140, 4.159, 4.181, 6.208
REF POINT FREQUENCY.....	4.130, 6.13	SWEEP TIME AUTO .....	4.173, 6.207

- SWEEP TIME MANUAL ..... 4.173, 6.207
  - SYSTEM MESSAGES ..... 4.16, 6.230
  - T1-REF ..... 4.165, 4.166, 6.61
  - T1-T2+REF ..... 4.165, 4.166, 6.61
  - T1-T3+REF ..... 4.165, 4.166, 6.61
  - THRESHOLD LINE ..... 4.145, 6.16
  - TIME ..... 4.39, 4.45, 6.231
  - TIME LINE 1/2 ..... 4.146, 6.17
  - TIME ON/OFF ..... 4.7, 6.95
  - TINT ..... 4.6, 6.93
  - TITLE ..... 4.57, 6.123
  - TRACE MATH ..... 4.165
  - TRACE MATH OFF ..... 4.165, 4.166, 6.61
  - TRACKING GENERATOR ..... 4.18, 4.193, 6.130, 6.143
  - TRANSD SET RANGES ..... 4.29, 6.176
  - TRANSD SET UNIT ..... 4.28, 6.176
  - TRANSDUCER FACTOR ..... 4.22, 6.174
  - TRANSDUCER SET ..... 4.22, 6.175, 6.177
  - TRC COLOR AUTO INC ..... 4.55, 6.124
  - TRD FACTOR NAME ..... 4.25, 6.173
  - TRD FACTOR UNIT ..... 4.25, 6.173
  - TRD FACTOR VALUES ..... 4.26, 6.174
  - TRD SET NAME ..... 4.28, 6.175
  - TRG TO GAP TIME ..... 4.191, 6.210
  - TRIGGER DELAY ..... 4.179, 6.236
  - TRIGGER LEVEL (gap sweep) ..... 4.190, 6.236
  - UNIT ..... 4.96, 6.240
  - UNLOCK ..... 3.19
  - UPDATE ..... 4.47
  - UPDATE MESSAGES ..... 4.16
  - UPPER LEFT ..... 4.56, 6.124
  - UPPER RIGHT ..... 4.56, 6.124
  - USER PORT A/B ..... 4.35, 4.41, 6.128, 6.143
  - VALUES (limit line) ..... 4.154, 6.25
  - VECTOR ANALYZER ..... 4.19, 6.130
  - VERTICAL SCALING ..... 4.5, 6.131
  - VIDEO (trigger) ..... 4.178, 6.235, 6.236
  - VIDEO BW AUTO ..... 4.172, 6.169
  - VIDEO BW MANUAL ..... 4.172, 6.169
  - VIEW ..... 4.157, 6.98
  - VOLT ..... 4.98, 6.62
  - VOLUME ..... 4.110, 6.231
  - WATT ..... 4.98, 6.62
  - X OFFSET ..... 4.150, 6.23
  - Y OFFSET ..... 4.150, 6.24, 6.26
  - ZERO SPAN ..... 4.91, 6.194
  - ZOOM ..... 4.93, 6.95
  - ZOOM OFF ..... 4.93, 6.95
  - Span ..... 4.91
    - measurement window ..... 4.84
  - Special characters ..... 6.2
  - Split screen ..... 3.9, 4.4
  - Split screen mode ..... 4.4
  - SRE (service request enable register) ..... 5.21
  - SRQ (service request) ..... 5.21, 5.32
  - Start frequency
    - sweep ..... 4.84
  - Start-Up ..... 1.18, 1.56
  - Status byte (STB) ..... 5.21
  - Status information ..... 3.4
    - DIFOVL ..... 3.4
    - ExtRef ..... 3.4
    - IFOVLD ..... 3.4
    - LO LvD ..... 3.4
    - LO Lvl ..... 3.4
    - LO unl ..... 3.4
    - MAX / REF LVL ..... 3.4
    - OCXO ..... 3.4
    - OVLd ..... 3.4
    - UNCAL ..... 3.4
  - Status register
    - CONDition part ..... 5.19
  - ENABLE part ..... 5.19
  - ESE ..... 5.22
  - ESR ..... 5.22
  - EVENT part ..... 5.19
  - NTRansition part ..... 5.19
    - overview ..... 5.20
  - PPE ..... 5.22
  - PTRansition part ..... 5.19
  - SRE ..... 5.21
  - STATus OPERation ..... 5.23
  - STATus QUEStionable ..... 5.24
    - ACPLimit ..... 5.25
    - FREQuency ..... 5.26
    - LIMit ..... 5.27
    - LMARgin ..... 5.28
    - POWer ..... 5.29
    - SYNC ..... 5.30
    - TRANsducer ..... 5.31
  - STB ..... 5.21
    - structure ..... 5.18
    - sum bit ..... 5.19
  - Status reporting system ..... 5.18
    - resetting values ..... 5.18, 5.34, 6.214
  - STB (status byte) ..... 5.21
  - Step size
    - center frequency ..... 4.89
    - delta marker ..... 4.132
    - marker ..... 4.127
    - setting ..... 3.20
  - Stop frequency
    - sweep ..... 4.86
  - String ..... 5.14
  - Suffix ..... 5.11
  - Sum bit ..... 5.19
  - Supply voltage, external noise source ..... 4.32
  - Sweep
    - count ..... 4.159, 4.181
    - coupling ..... 4.170
    - gap ..... 4.188
    - gap length ..... 4.191
    - gated ..... 4.182
    - mode ..... 4.180
    - single ..... 4.180
    - time ..... 4.173
  - Switching on/off ..... 1.20
  - Switching operations ..... 4.17
  - Syntax elements
    - command ..... 5.14
  - System messages ..... 4.16
- ## T
- Table entry ..... 3.18
  - TCP/IP operation ..... 1.54, 1.85
  - Test functional ..... 1.58
  - Text parameter ..... 5.14
  - Thick Ethernet ..... 1.45, 1.74
  - Thin Ethernet ..... 1.44, 1.73
  - Time ..... 4.39, 4.45
  - Trace ..... 4.156
    - copy ..... 4.160
    - detector ..... 4.161
    - export ..... 4.167
    - mathematics ..... 4.165
  - Transducer ..... 4.20
    - entry ..... 4.23
    - set ..... 4.27
    - switch on ..... 4.21
  - Transmission parameters of RS-232-C ..... 4.194, 8.7

Trigger	
delay .....	4.179
external .....	4.179
free run.....	4.178
gap sweep.....	4.190
line .....	4.178
pre-trigger.....	4.190
RF power.....	4.179
slope .....	4.179
video .....	4.178
TV demodulator.....	4.206
TV-Trigger.....	4.208

## U

UNCAL .....	3.4
Units.....	4.96
Universal command.....	8.5
UNLD.....	3.4
Upper case .....	6.2
User port	
configuration.....	4.35, 4.41
interface .....	8.21

## V

Vector analyzer mode.....	4.19
Video bandwidth .....	4.172
View .....	4.157
Volume .....	4.109, 4.110

## W

White space.....	5.14
Windows NT.....	1.23
administrator.....	1.23
login .....	1.23
password.....	1.23

## Z

Zero span .....	4.91
Zoom .....	4.93, 4.157
amplitude.....	4.157